

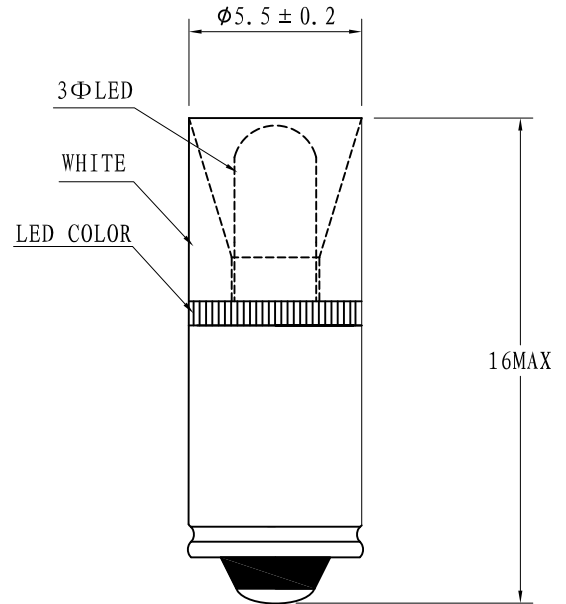


VC15121 Series

T-1 3/4 Midget Groove Based LED

Description and Features

- Replaces incandescent lamp #'s
 - 12V — 336, 386, 393
 - 24V and 28V — 276, 334, 388
- Extremely high brightness with low current draw
- Long life — typically 100K hours vs. 10K hours
- Low heat generation
- Available in five standard colors. Custom colors available upon request
- Shock and vibration proof
- Storage temperature: -40°C - +85°C
- Ambient temperature: -40°C - +85°C
- Due to production tolerances, color temperature variations may be detected within individual consignments



Electro-Optical Characteristics and Ratings

Part Number	Color	Voltage V DC	Current mA	Lumi. Intensity mcd	Peak Wavelength nm	50% Power Angle (deg)
VC1512125UR3	Red	12	7 / 14	330	630	20
VC1512125UG3	Green	12	7 / 14	910	525	25
VC1512125UY3	Yellow	12	7 / 14	280	587	20
VC1512125B3	Blue	12	7 / 14	350	470	25
VC1512125W3	White Clear	12	7 / 14	700	*	30
VC1512125W3D	White Diffused	12	7 / 14	350	*	30
VC1512135UR3	Red	24	7 / 14	330	630	20
VC1512135UG3	Green	24	7 / 14	910	525	25
VC1512135UY3	Yellow	24	7 / 14	280	587	20
VC1512135B3	Blue	24	7 / 14	350	470	25
VC1512135W3	White Clear	24	7 / 14	700	*	30
VC1512135W3D	White Diffused	24	7 / 14	350	*	30
VC1512145UR3	Red	28	7 / 14	330	630	20
VC1512145UG3	Green	28	7 / 14	910	525	25
VC1512145UY3	Yellow	28	7 / 14	280	587	20
VC1512145B3	Blue	28	7 / 14	350	470	25
VC1512145W3	White Clear	28	7 / 14	700	*	30
VC1512145W3D	White Diffused	28	7 / 14	350	*	30