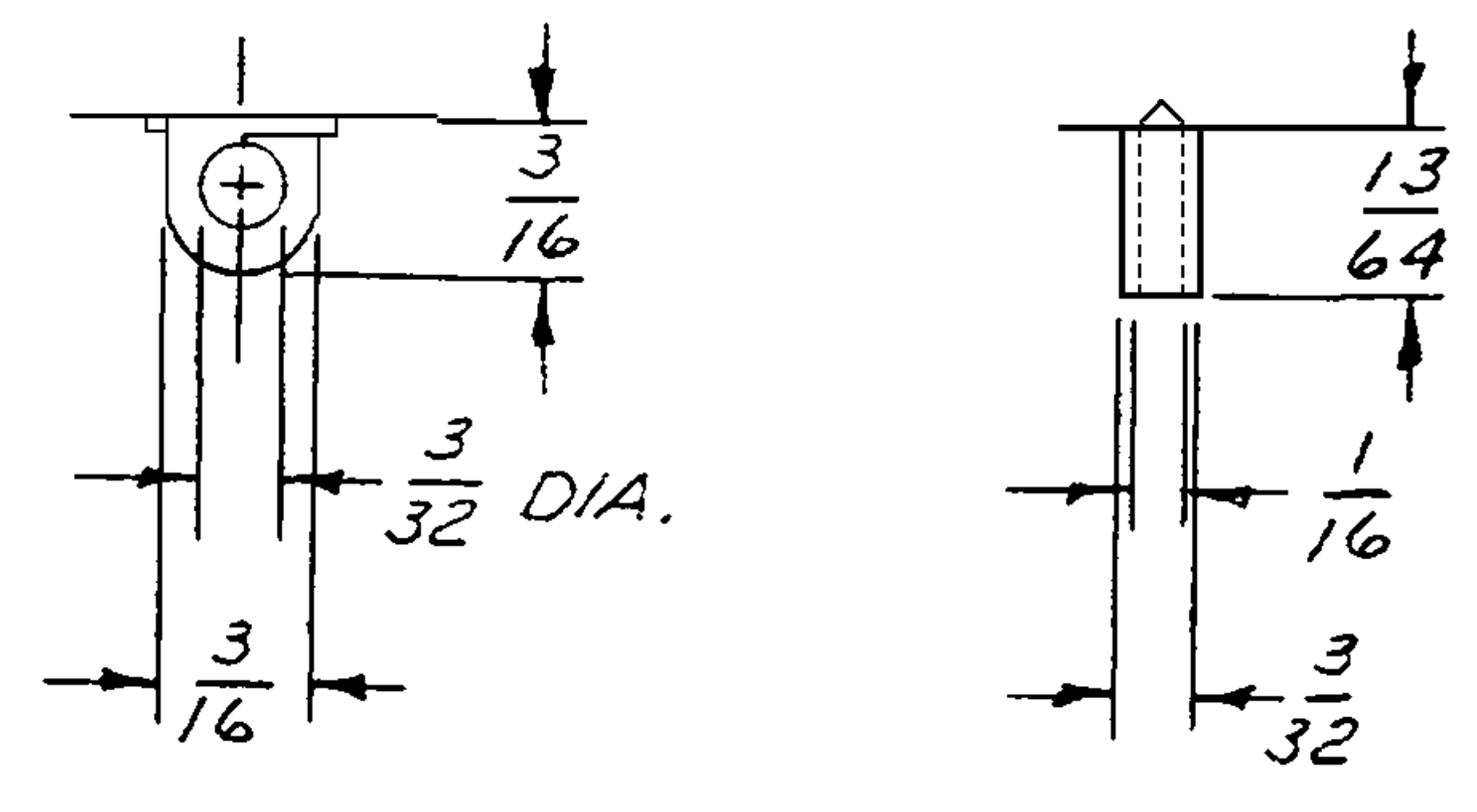
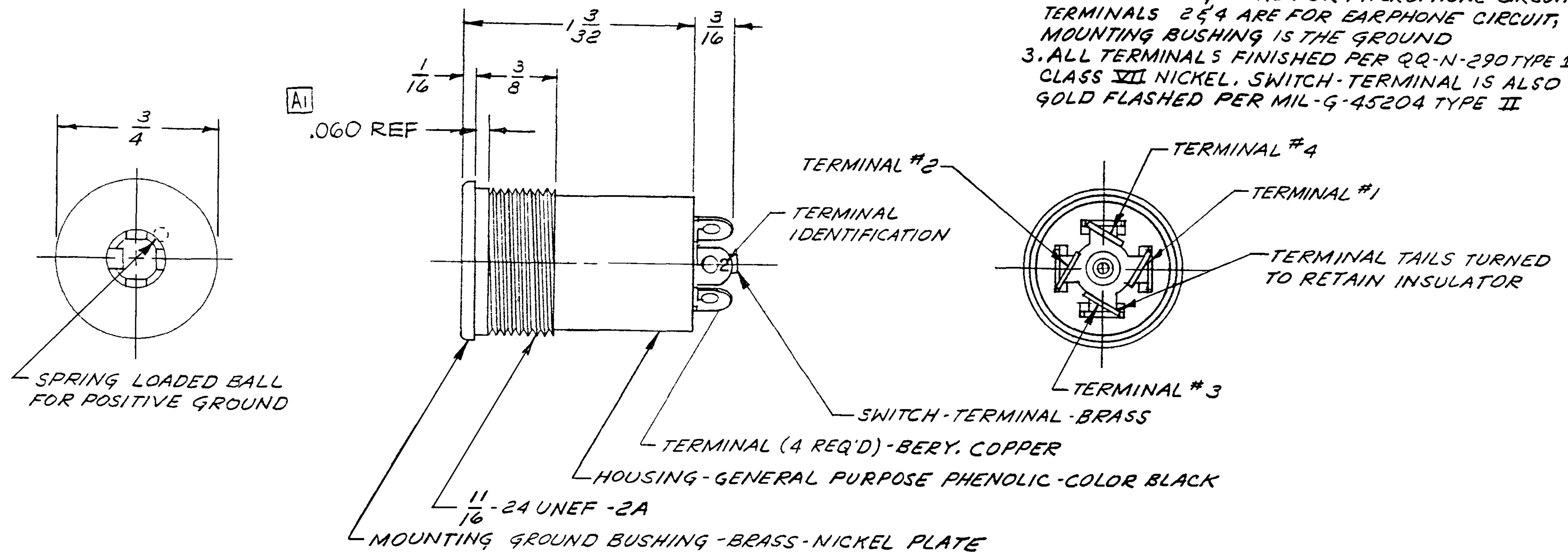


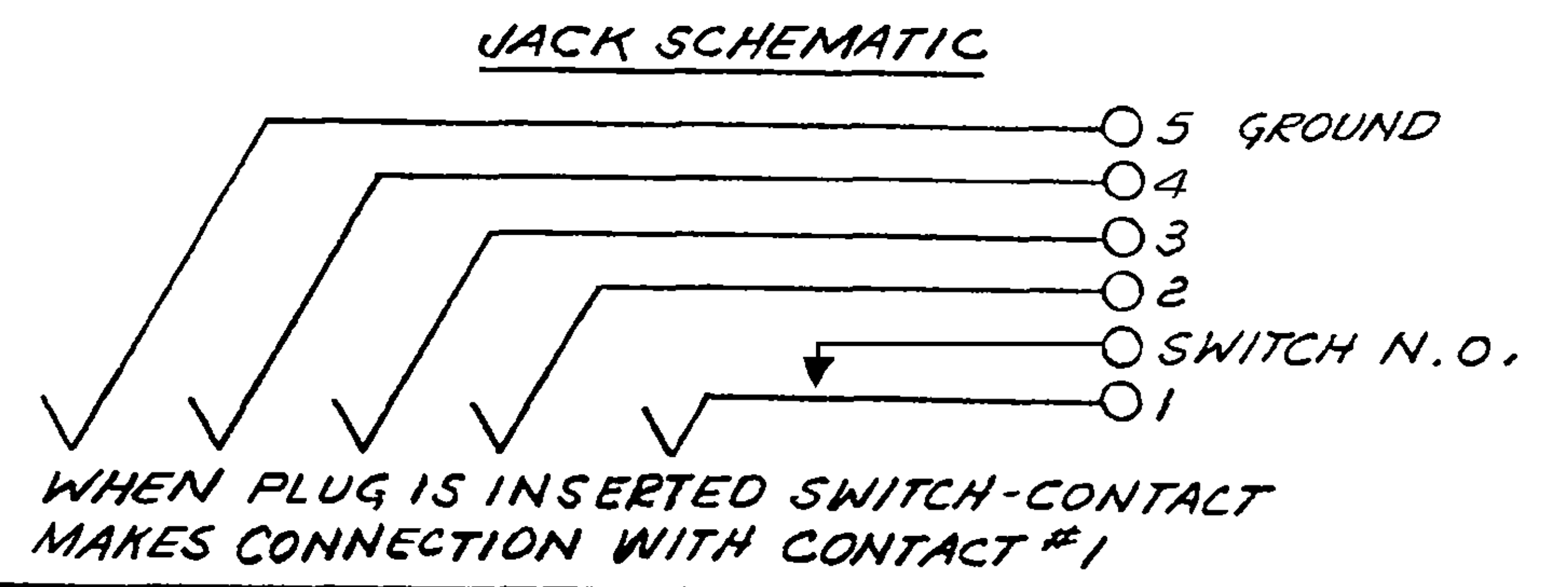
B TJGT-125

NOTES:-

1. ASSEMBLY TO MAKE CONTACT WITH TELEPHONE PLUG, NEXUS TP-125
2. TERMINALS 1 & 3 ARE FOR MICROPHONE CIRCUIT, TERMINALS 2 & 4 ARE FOR EARPHONE CIRCUIT, MOUNTING BUSHING IS THE GROUND
3. ALL TERMINALS FINISHED PER QQ-N-290 TYPE 1 CLASS VII NICKEL. SWITCH-TERMINAL IS ALSO GOLD FLASHED PER MIL-G-45204 TYPE II



TERMINAL DETAIL



| | | | |
|------|---|---------|------|
| A | 1) NOTE WAS FULL THREAD TO WITHIN .060" | 12/4/30 | |
| LET. | REVISION | DATE | CHK. |

| | | | |
|----------------------------|-----------------|---------------------------------|-----------|
| DWN. BY <i>M. Ambro</i> | DATE 6-18-69 | MATERIAL | |
| CHECKED BY | | FINISH | |
| APPR. BY | | WEIGHT | SCALE 2:1 |
| UNLESS OTHERWISE SPECIFIED | | TITLE | |
| DIMENSIONS ARE IN INCHES | | TELEPHONE JACK | |
| TOLERANCES ON | | FIVE CONDUCTOR WITH N.O. SWITCH | |
| FRACTIONS DECIMALS ANGLES | | DO NOT SCALE DWG. SHEET OF | |
| ± 1/64 | | NEXUS STAMFORD, CONN. | |
| | | SIZE | DWG. NO. |
| | | B | TJGT-125 |