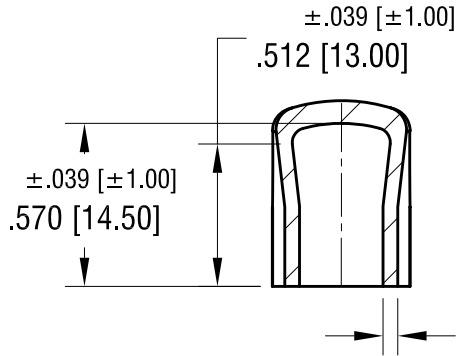
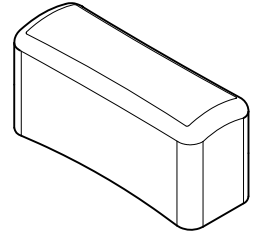
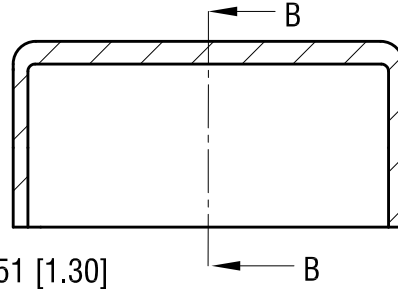


THIS DOCUMENT IS THE PROPERTY OF
KEYSTONE ELECTRONICS CORP. AND
SHALL NOT BE REPRODUCED, DISTRIBUTED
OR USED AS A BASIS FOR MANUFACTURE
WITHOUT PRIOR WRITTEN PERMISSION
FROM KEYSTONE ELECTRONICS CORP.

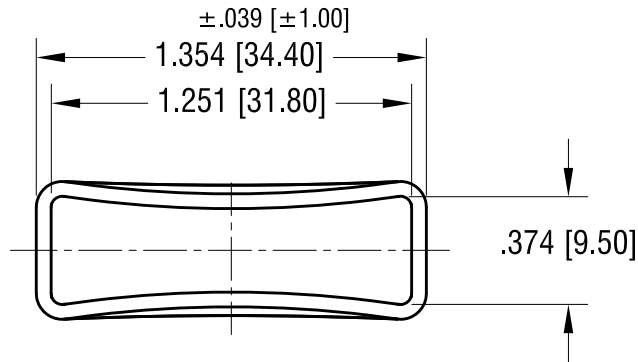
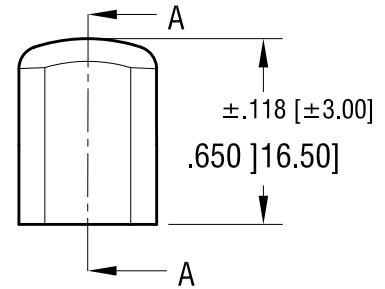
ACTUAL SIZE



SECTION B-B



SECTION A-A



1.10.18	CHANGE AS PER ECN 18-005	B
2.18.04	CHANGE AS PER ECN 04-014	A
DATE	DESCRIPTION	REV.

KEYSTONE ELECTRONICS CORP.			
www.keyelco.com • NEW HYDE PARK, NY 11040 • Tel (516) 328-7500			
PART NAME			
3AG FUSE HOLDER COVER			
MATERIAL			
PVC UL 94V-0			
FINISH		DRN BY	DATE
NONE		BOONE	4.23.98
		APP'D	SCALE
		LN	2X
TOLERANCES	INCH [MM]	CODE	DWG NO.
DECIMAL	± .012 [± 0.30]	C	4245C
ANGULAR	± 1°		
UNLESS OTHERWISE SPECIFIED			