

SAFETY ORGANIZATION(S):

THIS FILTER HAS BEEN FORMALLY RECOGNIZED, CERTIFIED OR APPROVED BY THE LISTED AGENCY. THEREFORE, ALL TEST/REQUIREMENTS SPECIFIED IN THE LATEST REVISION OF THE FOLLOWING AGENCY STANDARDS HAVE BEEN MET:

- UL 1283
- CSA 22.2, NO.0,0.4,8
- VDE 565-3

OPERATING SPECIFICATIONS:

- LINE VOLTAGE/CURRENT: 20 AMP., 120/250 VAC
- 16 AMP./40°C, 250 VAC
- 50-60Hz
- 30°C
- LINE FREQUENCY: .5 mA at 120V 60 Hz
- MAX. CASE RISE @ RATED CURRENT: 1.0 mA at 250V 50 Hz
- MAX. LEAKAGE CURRENT, EACH LINE TO GROUND: -10°C TO +40°C @ RATED CURRENT, I_r
- OPERATING AMBIENT TEMP. RANGE:

IN AN AMBIENT, T_a, HIGHER THAN 40°C, THE MAXIMUM OPERATING CURRENT, I_o, IS AS FOLLOWS:

$$I_o = I_r \sqrt{\frac{85-T_a}{45}}$$

RELIABILITY SPECIFICATIONS:

- STORAGE TEMPERATURE: -40°C TO +85°C
- HUMIDITY: 21 DAYS @ 40°C 95% RH
- CURRENT OVERLOAD TEST: 6 TIMES RATED CURRENT FOR 8 SECONDS

TEST SPECIFICATIONS:

- INDUCTANCE: .44 mH NOMINAL
- CAPACITANCE: (MEASURED @ 1 KHz, 0.25 VAC MAX., 25°C ±1°C)
- LINE TO GROUND: .011µF ±20%
- LINE TO LINE: .203µF ±20%
- DISCHARGE RESISTOR: 1.5MΩ
- LINE/GROUND AND LINE/LINE: 6000 MΩ (MIN) AT 100 VDC
- INSULATION RESISTANCE: 20°C AND 50% RH

RECOMMENDED RECEIVING INSPECTION HIPOT:

- LINES TO GROUND: 2250 VDC FOR 1 MINUTE
- LINE TO LINE: 1450 VDC FOR 1 MINUTE

FILTER APPROVAL:

THE BEST WAY TO SELECT AND QUALIFY A FILTER IS FOR YOUR ENGINEERING TO TEST THE UNIT IN YOUR EQUIPMENT.

TOLERANCE EXCEPT AS NOTED

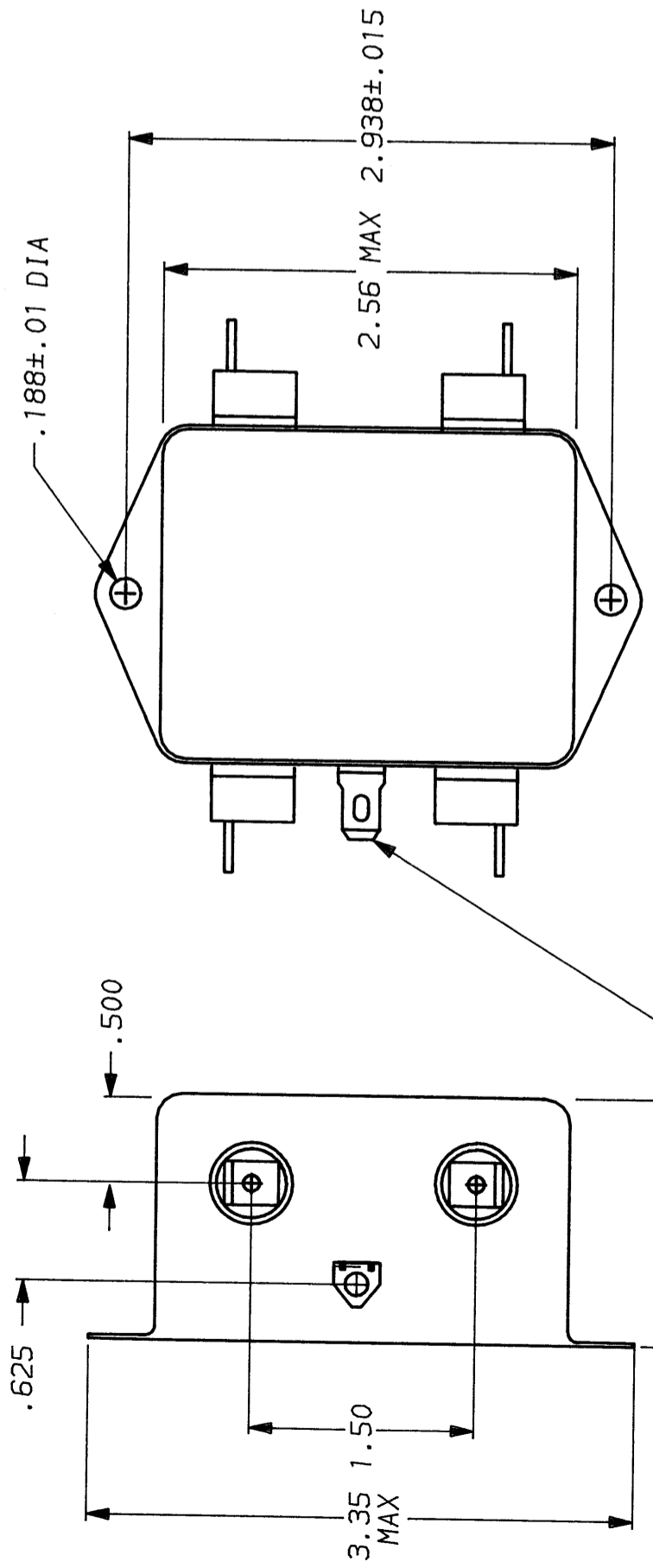
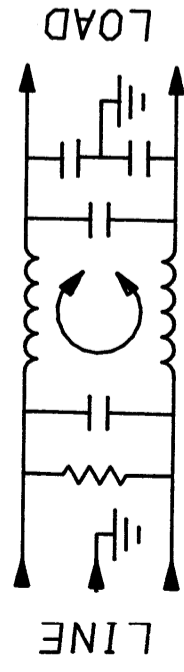
- DECIMAL: .XXX .XX .X ANGLES ± 1°
- ENGLISH: ±.025
- METRIC: ±

MATERIAL:

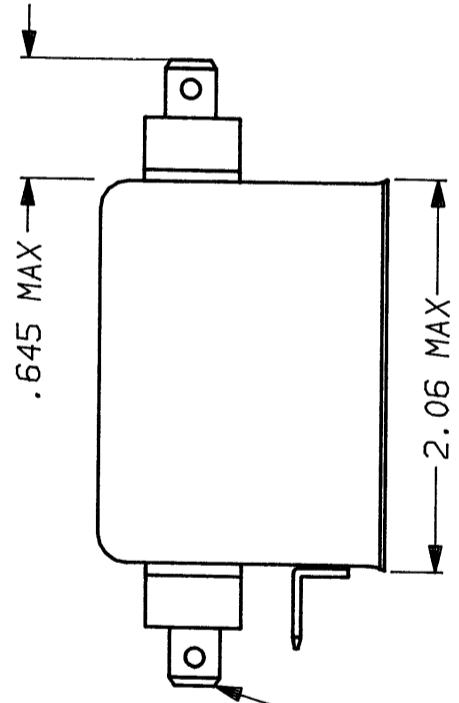
AS SUPPLIED

FINISH:

AS SUPPLIED



0.069 X 0.155 SLOT



.250 FASTON .069±.003 HOLE (5)

FREQUENCY MHZ	50Ω - 50Ω (MINIMUM) INSERTION LOSS									
	.15	.4	.5	1	2	5	10	20	30	
COMMON dB	9	22	25	34	39	44	47	50	51	
DIFF. dB	5	5	20	40	55	50	40	30	30	

This document is proprietary to CORCOM INC. and is not to be reproduced nor used for manufacturing purposes except on CORCOM's order or prior written consent.

CORCOM
 LIBERTYVILLE, IL 60048

POWER LINE FILTER

SCALE	DATE	DRG. NO.	REV.
NTS	7-31-90	20VK1	06
DRW. BY	ORIGINATOR		
CFW	CFW		