

SAFETY ORGANIZATION(S):

THIS FILTER HAS BEEN FORMALLY RECOGNIZED, CERTIFIED OR APPROVED BY THE LISTED AGENCY. THEREFORE, ALL TEST/REQUIREMENTS SPECIFIED IN THE LATEST REVISION OF THE FOLLOWING AGENCY STANDARDS HAVE BEEN MET:

- UL 1283
- CSA 22.2, NO.0,0.4,8
- VDE 565-3

OPERATING SPECIFICATIONS:

- LINE VOLTAGE/CURRENT: 20 AMP., 120/250 VAC
- 16 AMP./40°C, 250 VAC
- 50-60Hz
- 30°C
- LINE FREQUENCY: .5 mA at 120V 60 Hz
- MAX. CASE RISE @ RATED CURRENT: 1.0 mA at 250V 50 Hz
- MAX. LEAKAGE CURRENT, EACH LINE TO GROUND: -10°C TO +40°C @ RATED CURRENT, I_r
- OPERATING AMBIENT TEMP. RANGE:

IN AN AMBIENT, T_a, HIGHER THAN 40°C, THE MAXIMUM OPERATING CURRENT, I_o, IS AS FOLLOWS:

$$I_o = I_r \sqrt{\frac{85-T_a}{45}}$$

RELIABILITY SPECIFICATIONS:

- STORAGE TEMPERATURE: -40°C TO +85°C
- HUMIDITY: 21 DAYS @ 40°C 95% RH
- CURRENT OVERLOAD TEST: 6 TIMES RATED CURRENT FOR 8 SECONDS

TEST SPECIFICATIONS:

- INDUCTANCE: .44 mH NOMINAL
- CAPACITANCE: (MEASURED @ 1 KHz, 0.25 VAC MAX., 25°C ±1°C)
- LINE TO GROUND: .011µF ±20%
- LINE TO LINE: .203µF ±20%
- DISCHARGE RESISTOR: 1.5MΩ
- LINE/GROUND AND LINE/LINE: 6000 MΩ (MIN) AT 100 VDC
- INSULATION RESISTANCE: 20°C AND 50% RH

RECOMMENDED RECEIVING INSPECTION HIPOUT:

- LINES TO GROUND: 2250 VDC FOR 1 MINUTE
- LINE TO LINE: 1450 VDC FOR 1 MINUTE

FILTER APPROVAL:

THE BEST WAY TO SELECT AND QUALIFY A FILTER IS FOR YOUR ENGINEERING TO TEST THE UNIT IN YOUR EQUIPMENT.

TOLERANCE EXCEPT AS NOTED

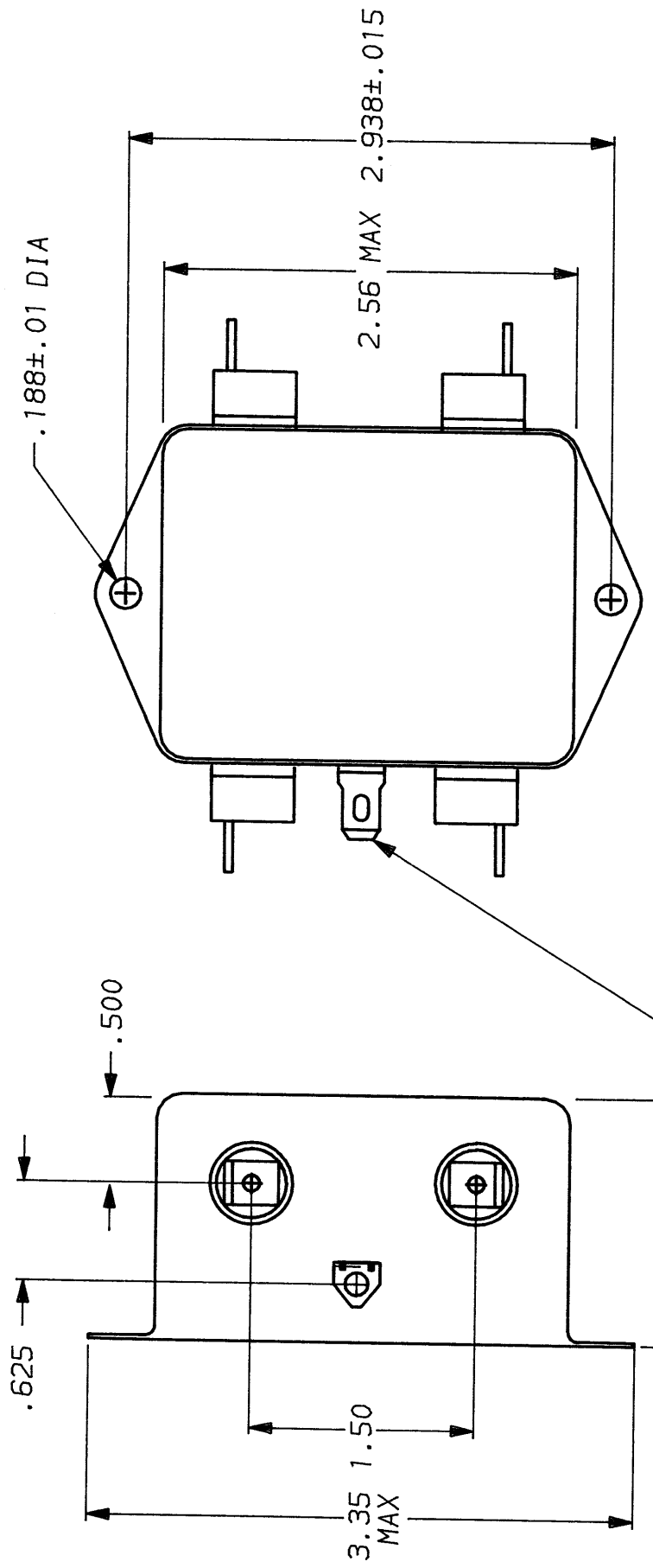
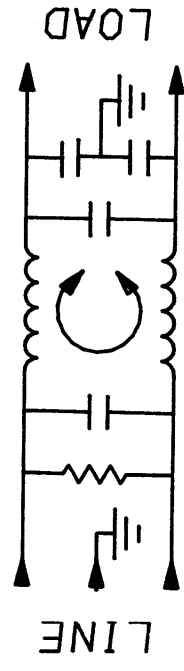
DECIMAL: .XXX .XX .X ANGLES ± 1°
 ENGLISH: ±.025
 METRIC: ±

MATERIAL:

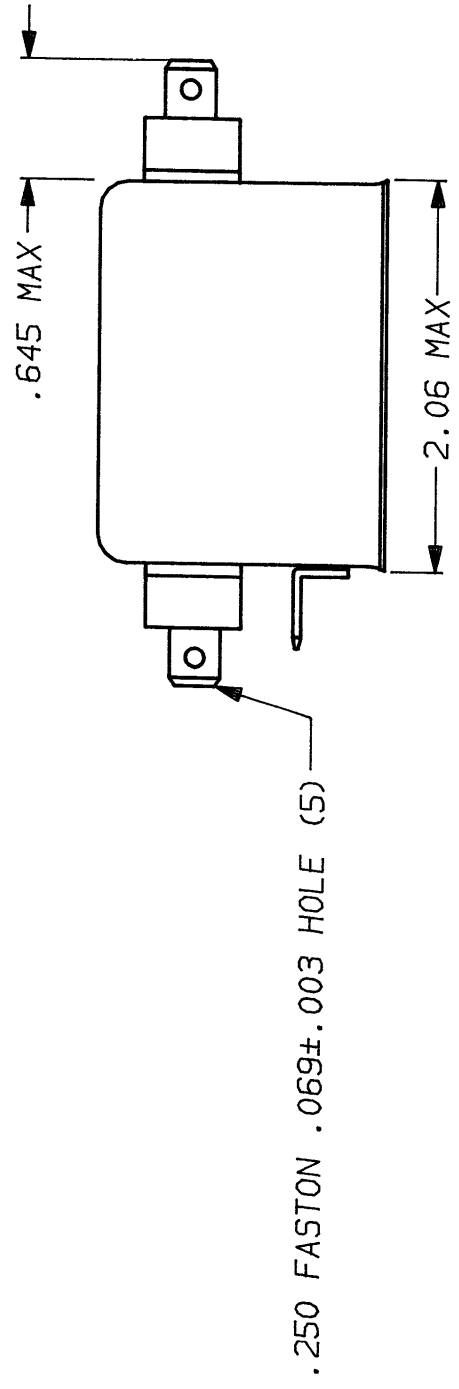
AS SUPPLIED

FINISH:

AS SUPPLIED



0.069 X 0.155 SLOT



| FREQUENCY MHZ | 50Ω - 50Ω (MINIMUM) INSERTION LOSS | | | | | | | | | |
|------------------|------------------------------------|----|----|----|----|----|----|----|----|--|
| | .15 | .4 | .5 | 1 | 2 | 5 | 10 | 20 | 30 | |
| COMMON dB | 9 | 22 | 25 | 34 | 39 | 44 | 47 | 50 | 51 | |
| DIFF. dB | 5 | 5 | 20 | 40 | 55 | 50 | 40 | 30 | 30 | |

This document is proprietary to CORCOM INC. and is not to be reproduced nor used for manufacturing purposes except on CORCOM's order or prior written consent.



POWER LINE FILTER

| | | | |
|---------|------------|----------|------|
| SCALE | DATE | DRG. NO. | REV. |
| NTS | 7-31-90 | 20VK1 | 06 |
| DRW. BY | ORIGINATOR | | |
| CFW | CFW | | |