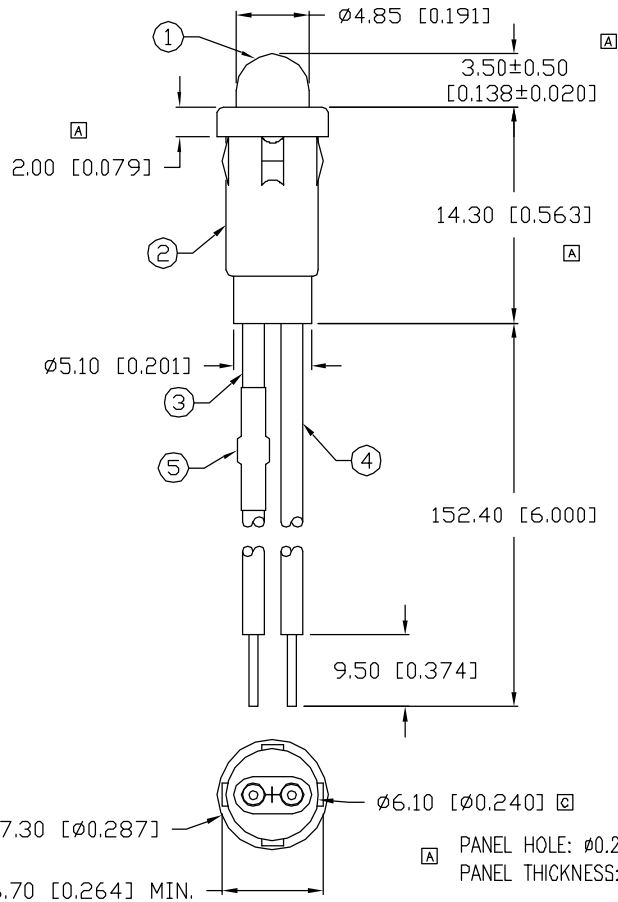


UNCONTROLLED DOCUMENT



NOTES:

1. SSL-LX509F3SRD LED, SUPER RED.
2. SSH-LXH600 HOLDER, BLACK.
3. ANODE LEAD: LXP-WST24RDT0C, 24 AWG TIN OVERCOAT, RED INSULATION, -45mm STRIP BOTH ENDS 4mm, -106mm, STRIP 4mm AND 9.5mm.
4. CATHODE LEAD: LXP-WST24BLT0C, 24 AWG TIN OVERCOAT, BLACK INSULATION, CUT 160mm LONG, STRIP 4mm & 9.5mm.
5. RESISTOR: 1K OHM, 1/2 WATT, LOCATE 1.75" FROM REAR OF HOUSING. TRIM LEADS OF RESISTOR 18mm END TO END.
6. INSULATE RESISTOR AND CRIMPS WITH HEAT SHRINK (1/8" x 1" LONG).

□ PANEL HOLE: $\phi 0.250$ "
 □ PANEL THICKNESS: 0.030" MIN.

PART NUMBER
 SSI-LXH600SRD24150

REV.
 C

REV.	E.C.N. NUMBER AND REVISION COMMENTS	DATE
A	EXTENSIVE DIMENSION REVISION.	8-22-94
B	E.C.N. #10227 & 10113.	8-14-96
C	E.C.N. #10BRDR. & REDRAWN.	2-5-99

ELECTRO-OPTICAL CHARACTERISTICS $T_A=25^\circ\text{C}$ $I_f=20\text{mA}$

PARAMETER	MIN	TYP	MAX	UNITS	TEST COND
PEAK WAVELENGTH		660 (RED)		nm	
FORWARD VOLTAGE		24		V _f	
REVERSE VOLTAGE	4.0			V _r	I _r =100 μ A
AXIAL INTENSITY		100		mcd	I _f =20mA
VIEWING ANGLE		60		2x theta	
EMITTED COLOR:	RED				
EPOXY LENS FINISH:	RED DIFFUSED				

LIMITS OF SAFE OPERATION AT 25°C

PARAMETER	MAX	UNITS
PEAK FORWARD CURRENT*	150	mA
STEADY CURRENT	22	mA
POWER DISSIPATION	600	mW
DERATE FROM 25°C	-1.2	mW/°C
□ OPERATING, STORAGE TEMP.	-40 TO +85	°C
SOLDERING TEMP.	+260	°C
2.0mm FROM BODY		3 SEC. MAX

* $t < 10\mu\text{s}$

UNCONTROLLED DOCUMENT

*UNLESS OTHERWISE SPECIFIED TOLERANCE IS $\pm 0.25\text{mm}$ (± 0.010 ")

REV.
 C

PART NUMBER

SSI-LXH600SRD24150

CONFIDENTIAL INFORMATION
 THE INFORMATION CONTAINED IN THIS DOCUMENT IS THE PROPERTY OF LUMEX INC. EXCEPT AS SPECIFICALLY AUTHORIZED IN WRITING BY LUMEX INC., THE HOLDER OF THIS DOCUMENT SHALL KEEP ALL INFORMATION CONTAINED HEREIN CONFIDENTIAL AND SHALL PROTECT SAME IN WHOLE OR IN PART FROM DISCLOSURE AND DISSEMINATION TO ALL THIRD PARTIES.



290 E. HELLEN ROAD
 PALATINE, ILLINOIS 60067
 PHONE: 1-847-359-2790
 WEB: HTTP://WWW.LUMEX.COM

T-5mm (T-1 3/4) LED, PANEL MOUNT INDICATOR,
 660nm SUPER RED LED, RED DIFFUSED LENS,
 WITH 6" WIRE LEADS, 24 VOLT.

RELIABILITY NOTE
 OUR MANY YEARS OF EXPERIENCE DATA ACCUMULATION INDICATE THAT SOLDER HEAT IS A MAJOR CAUSE OF EARLY AND FUTURE FAILURE. PLEASE PAY ATTENTION TO YOUR SOLDERING PROCESS.

DRAWN BY: BC	CHECKED BY:	APPROVED BY:	DATE: 6-28-94
			PAGE: 1 OF 1
			SCALE: N/A