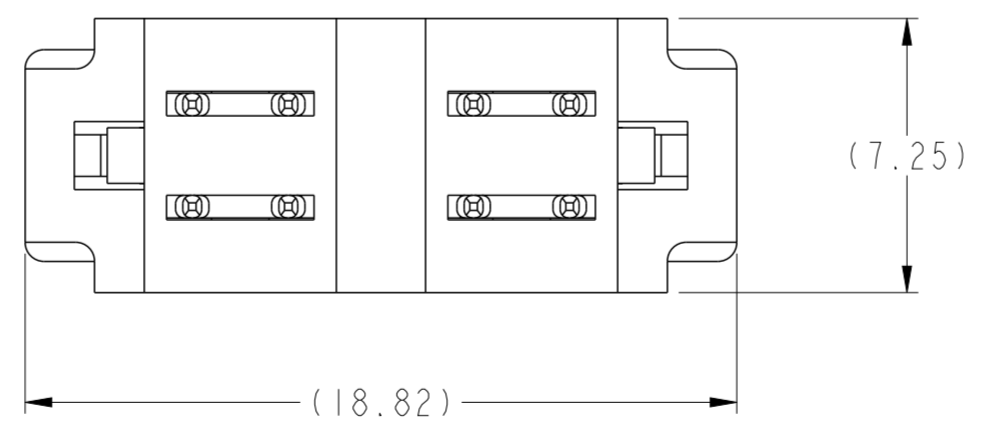
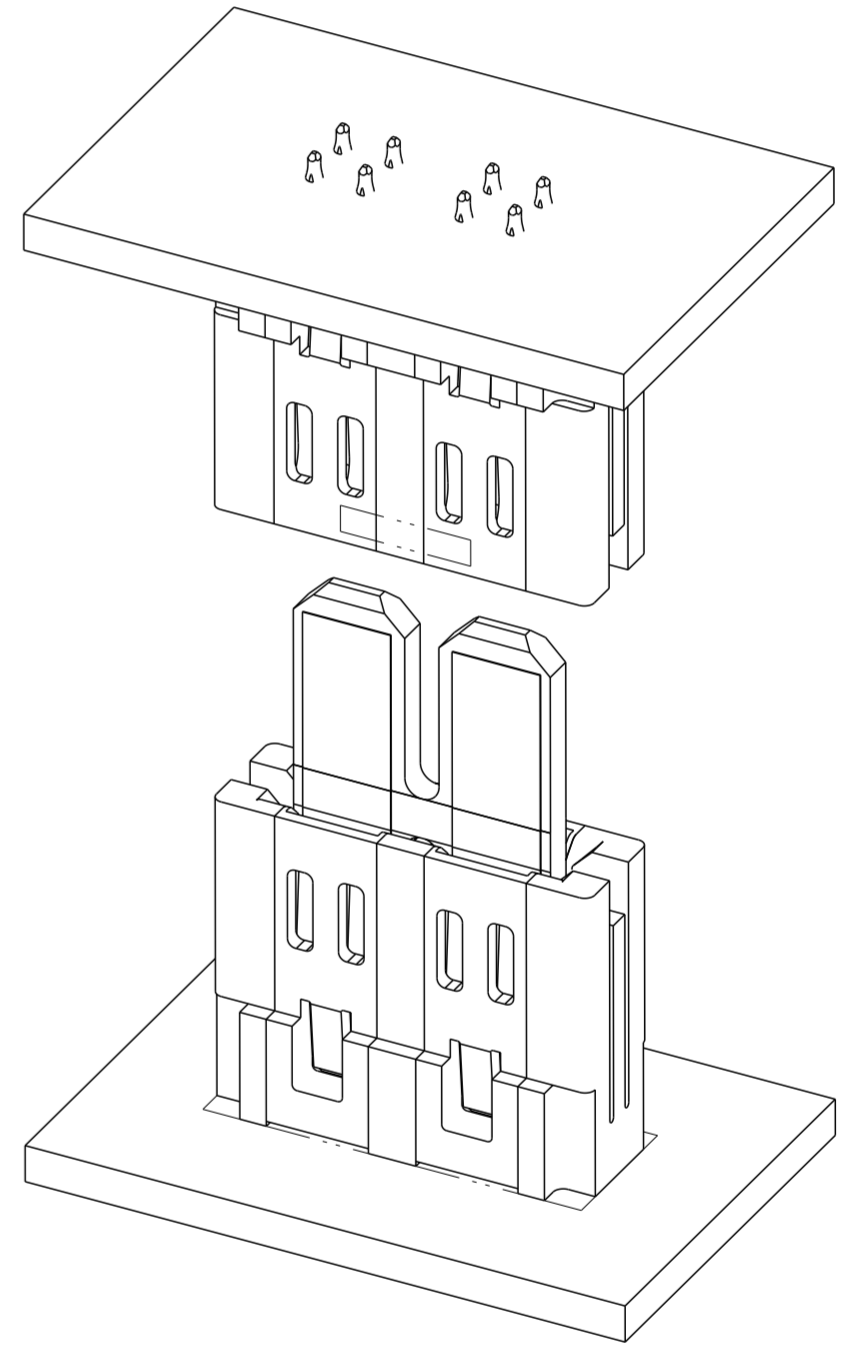
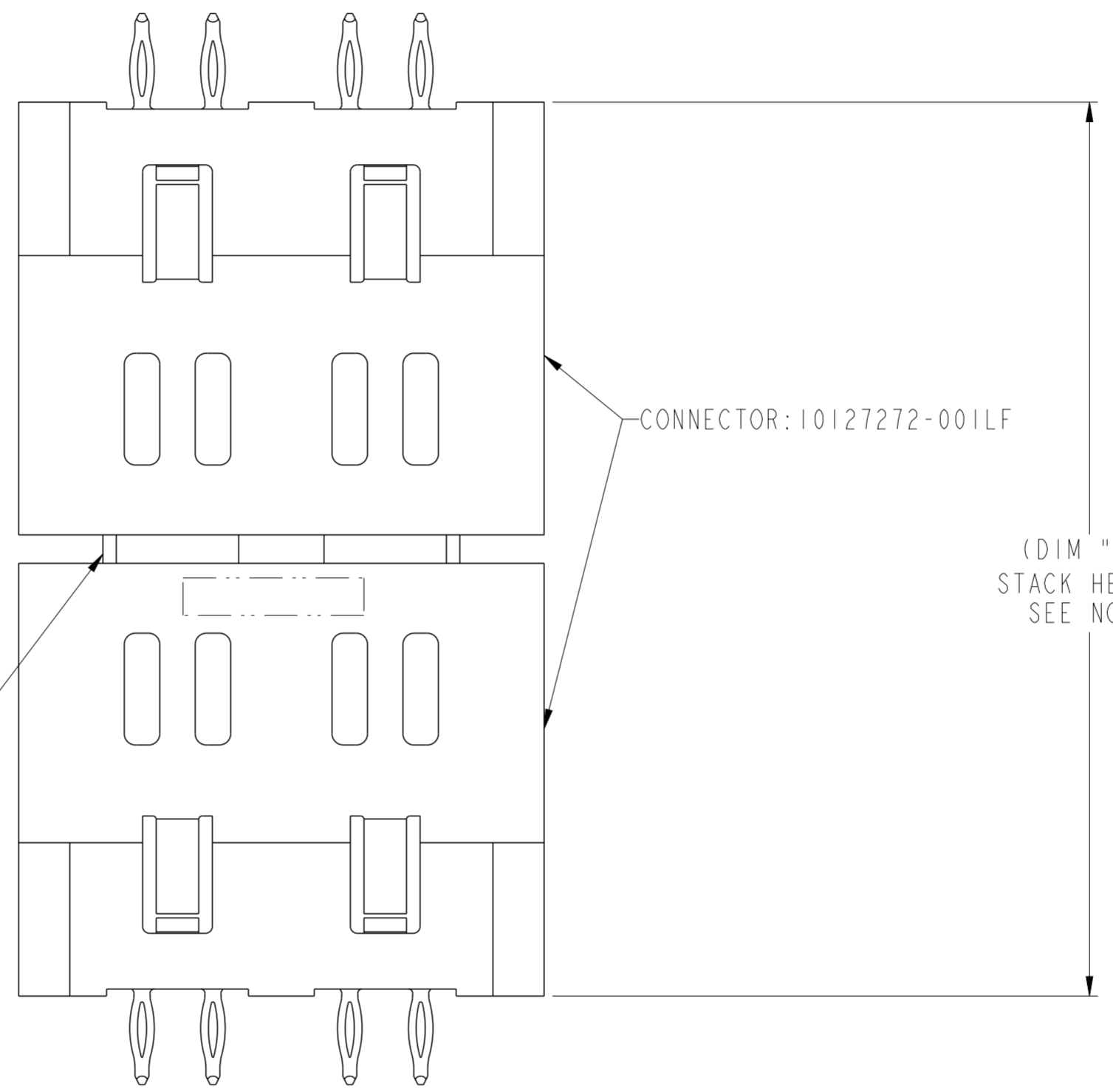


PART NUMBER  
(INCLUDE :2 CONNECTORS  
+ 1 MEZZANINE PCB)

DIM "A"  
STACK HEIGHT  
(±0.50)

A	10127597-001LF	32
	10127597-002LF	33
	10127597-003LF	34
	10127597-004LF	35
	10127597-005LF	36
B	10127597-006LF	37
	10127597-007LF	38
	10127597-008LF	39
	10127597-009LF	40
	10127597-010LF	41
	10127597-011LF	42



NOTE:

INTENDED USE-- TWO CONNECTORS (P/N 10127272) MEZZANINE STACKED USING PCB TO CONTROL STACK HEIGHT.  
FINAL MEZZANINE STACK HEIGHT RANGES FROM 32~42 mm IN 1 mm INCREMENTS.

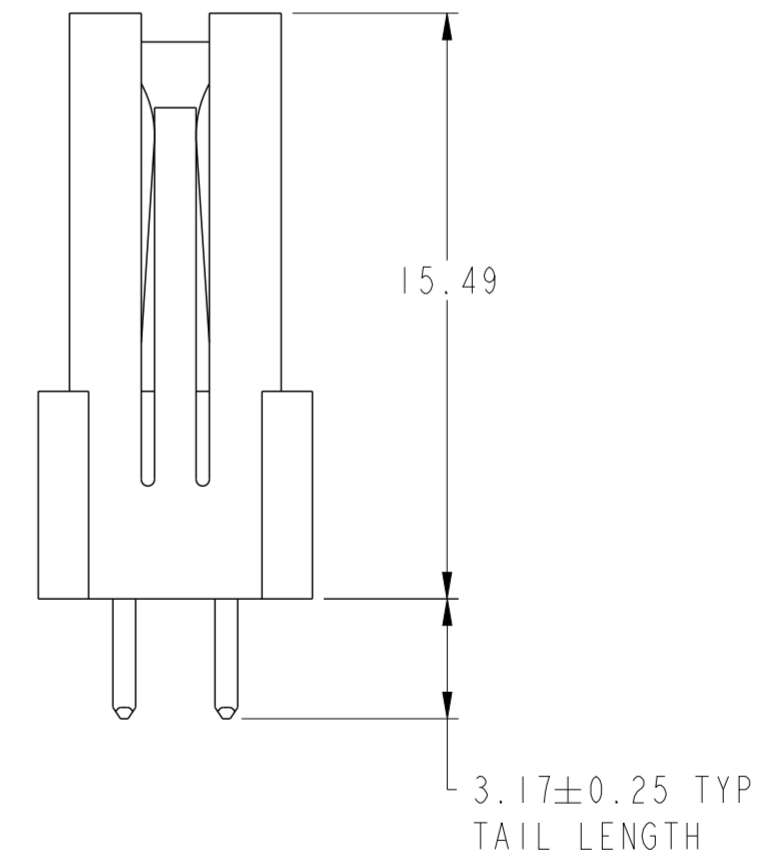
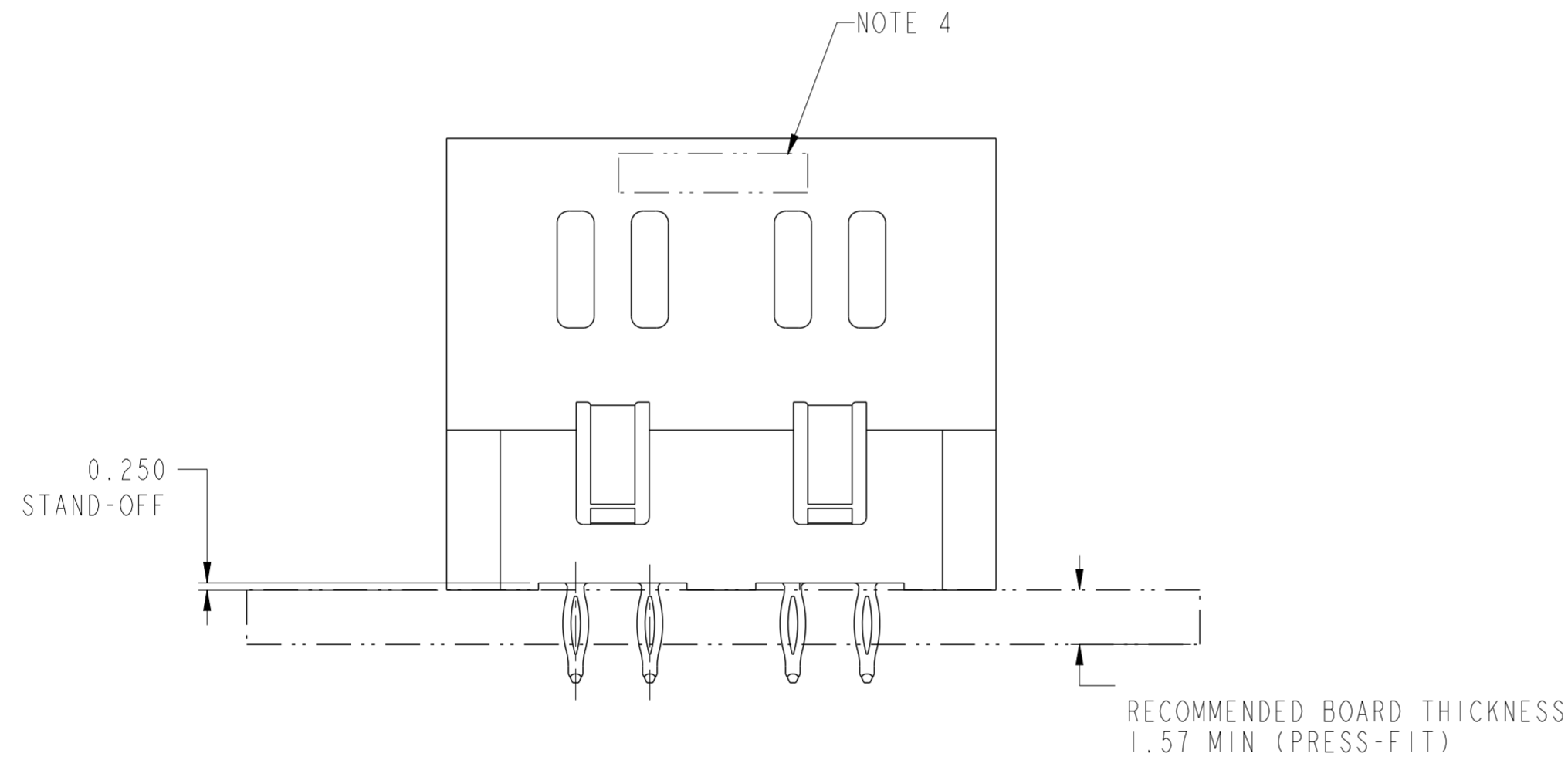
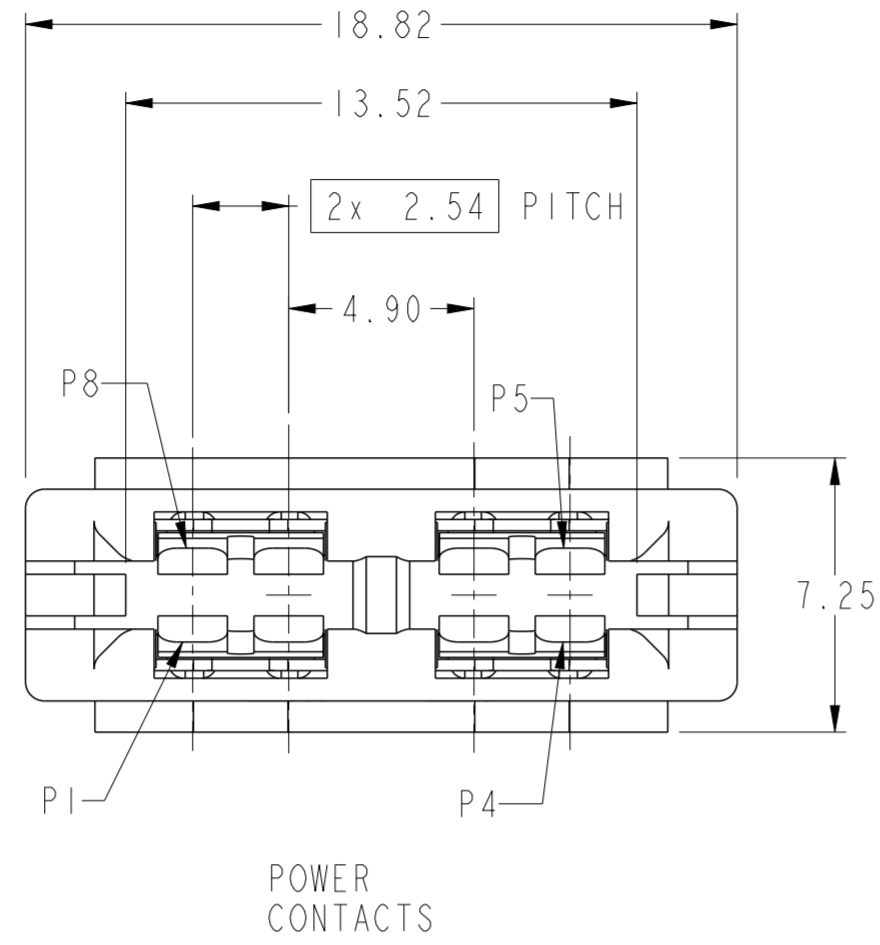
spec ref	-	dr	Jackie Huang	2015/04/15	projection	MM	size	A2	scale	2:1	
tolerance std	ISO 406 ISO 1101	eng	Sunny2 Liu	2016/04/12			ecn no	ELX-DG-22934-1			
TOLERANCES UNLESS OTHERWISE SPECIFIED		chr	Terris Liu	2016/05/20			rel level	Released			
surface	ASME Y14.5	appr	Pei-Ming Zheng	2016/05/24	product family	-	cat. no.	Product - Customer Drw		sheet 1 of 4	
linear	0.X ±0.5 0.XX ±0.25 0.XXX ±0.10			title	ASSY VERT RECP (8P) HIGH POWER CARD EDGE		dwg no	10127597		rev	B
angular	0° ±2°	PDS: Rev :B		STATUS:Released		Printed: May 24, 2016					

Amphenol FCI

© 2016 APCI

PART NUMBER  
(CONNECTOR)

10127272-001LF



spec ref	-	dr	Jackie Huang	2015/04/15	projection	MM	size	A2	scale	5:1
tolerance std	ISO 406 ISO 1101	eng	Sunny2 Liu	2016/04/12			ecn no	ELX-DG-22934-1		
TOLERANCES UNLESS OTHERWISE SPECIFIED		chr	Terris Liu	2016/05/20			rel level	Released		
surface	ASME Y14.5	appr	Pai-Ming Zheng	2016/05/24	product family	CARD EDGE	rel level	Released		
linear	0.X ±0.5 0.XX ±0.25 0.XXX ±0.10	Amphenol FCi	ASSY VERT RECP (8P) HIGH POWER CARD EDGE	cat. no.	-	Product - Customer Drw	sheet 2 of 4	rev	B	
angular	0° ±2°									

PDS: Rev :B

STATUS:Released

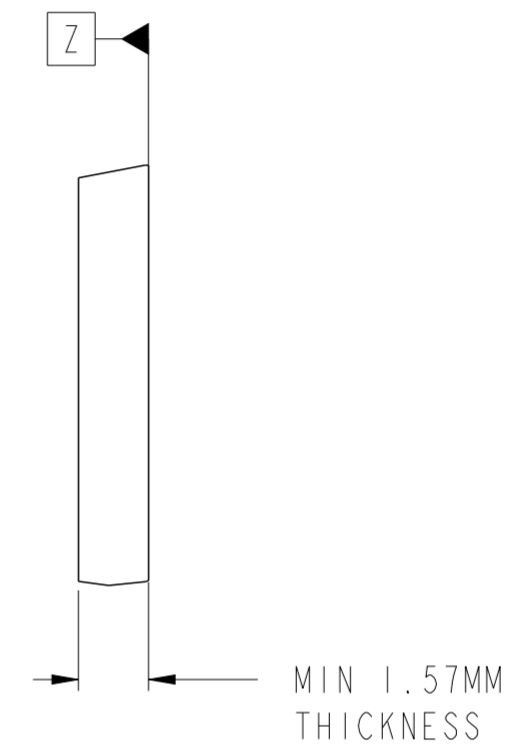
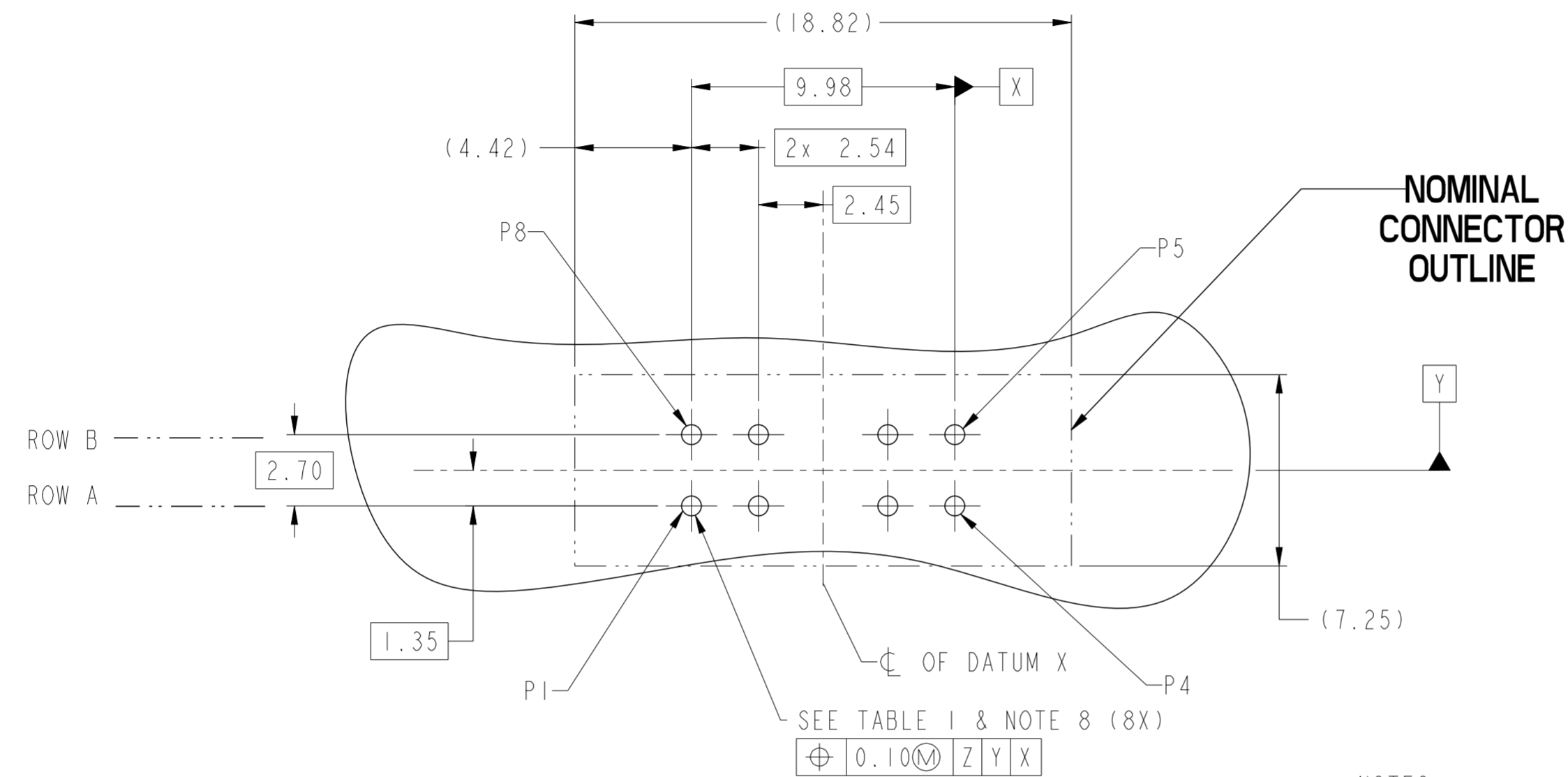
Printed: May 24, 2016

Amphenol  
FCi

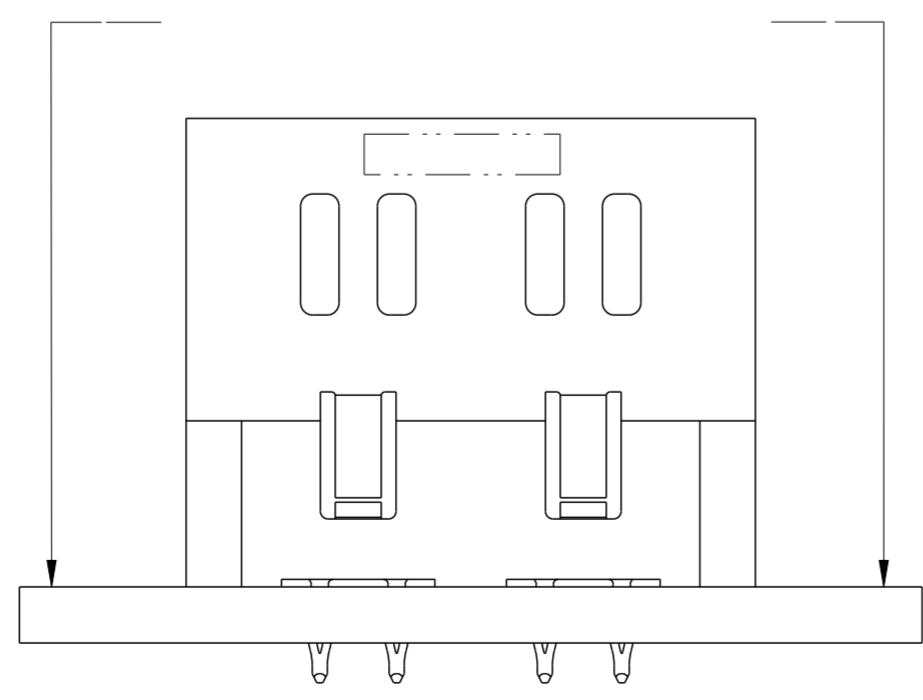
© 2016 AFci

TABLE I (HPCE / PRESS-FIT TAILS)  
PLATED THROUGH-HOLE REQUIREMENTS

CONTACT TYPE	TOP LAYER DESCRIPTION	DRILLED HOLE DIAMETER	COPPER THICKNESS	TIN-LEAD THICKNESS	TIN THICKNESS	FINISHED HOLE DIAMETER
		POWER & SIGNAL	TIN-LEAD	0.81-0.86 (0.85 DRILL)	0.025 - 0.050	0.005 - 0.015
	IMMERSION TIN	0.81-0.86 (0.85 DRILL)	0.025 - 0.050	--	0.9 - 1.5um	0.70 - 0.80
	COPPER (SEE NOTE 7)	0.81-0.86 (0.85 DRILL)	0.025 - 0.050	--	--	0.70 - 0.80



RECOMMENDED PCB LAYOUT  
VIEWED FROM CONNECTOR SIDE



NOTES:

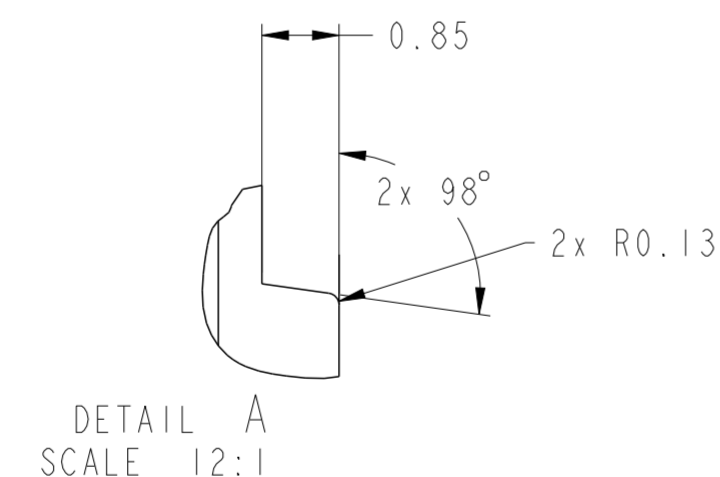
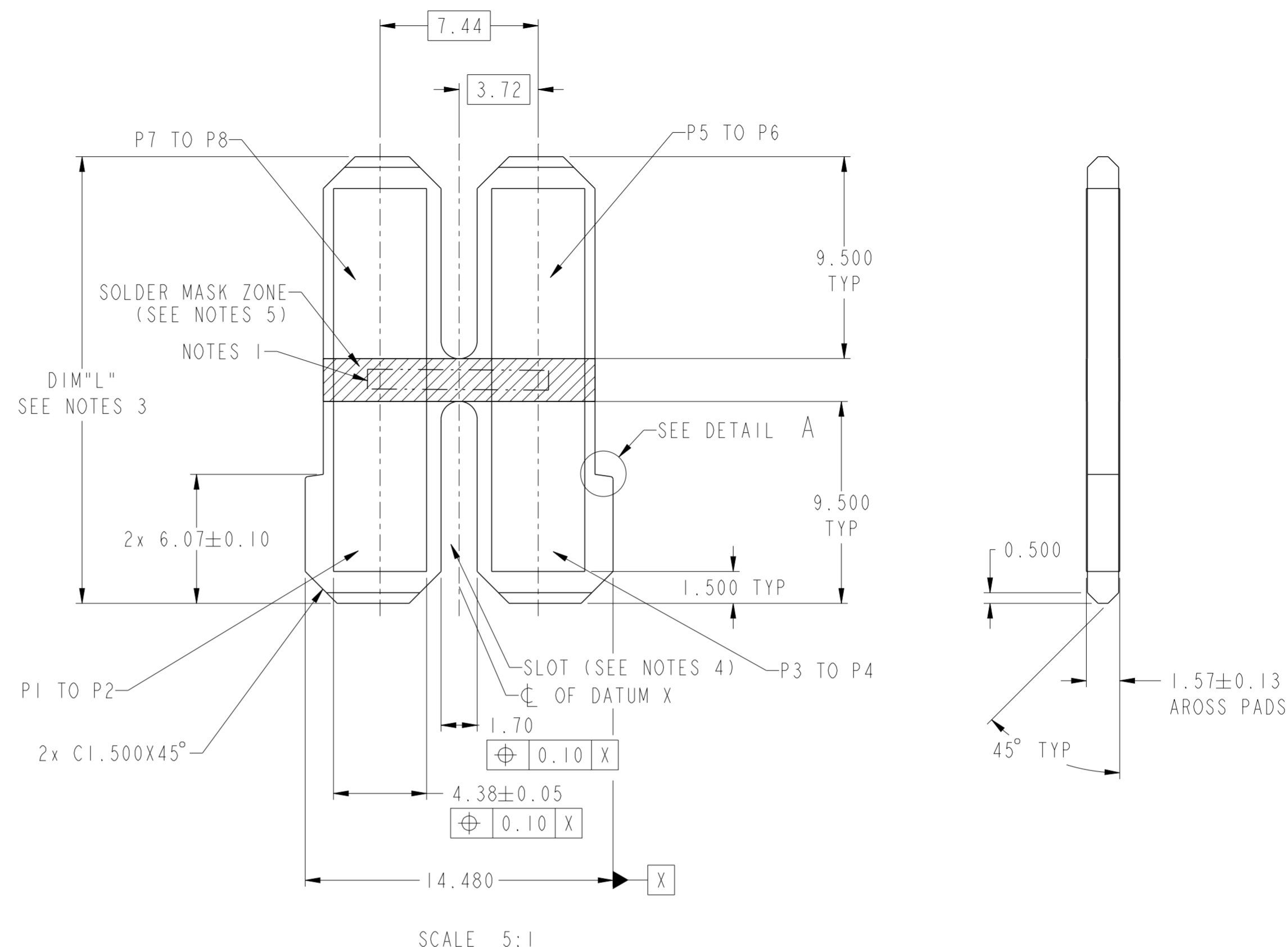
- CONNECTOR MATERIALS:  
HOUSING: HIGH TEMPERATURE THERMAL PLASTIC, BLACK  
UL 94V-0 COMPLIANT  
CONTACTS: HIGH PERFORMANCE COPPER ALLOY.
- CONTACT FINISH REF. GS-12-1261 SECTION 5.2.
- PRODUCT SPECIFICATION: GS-12-1261.
- PRODUCT MARKING ON HOUSING IN AREA SHOWN MEETS AFCI SPECIFICATION: GS-24-007.
- PACKAGING MEETS FCI SPECIFICATION GS-14-2456.
- HOUSING COMPONENT WILL WITHSTAND EXPOSURE TO 260°C PEAK TEMPERATURE FOR 60 SECONDS IN A CONVECTION, INFRA-RED, OR VAPOR PHASE REFLOW OVEN.
- COPPER PLATING THICKNESS IN CENTER OF VIA-HOLE CAN BE NO MORE THAN 0.003 LESS THAN OTHER AREAS.
- ALL HOLE SIZES ARE FINISHED HOLE SIZES.
- A SYMBOL  $\triangle B$  WILL BE NEXT TO ANY DIMENSION, VIEW, OR NOTE WHICH HAS BEEN MODIFIED WITH THE CURRENT DRAWING REVISION.

spec ref	-	dr	Jackie Huang	2015/04/15	projection	MM	size	A2	scale	2:1
tolerance std	ISO 406 ISO 1101	eng	Sunny2 Liu	2016/04/12			ecn no	ELX-DG-22934-1	rel level	Released
TOLERANCES UNLESS OTHERWISE SPECIFIED		chr	Terris Liu	2016/05/20						
surface	ASME Y14.5	appr	Pai-Ming Zheng	2016/05/24	Amphenol FCI		assy	ASSY VERT RECP (8P) HIGH POWER CARD EDGE	dwg no	10127597
linear	0.X ±0.5 0.XX ±0.25 0.XXX ±0.10	cat. no.	-	Product - Customer	Drw	sheet 3 of 4	rev	B		
angular	0° ±2°									

Amphenol FCI

© 2016 AFCI

PART NUMBER (MEZZANINE PCB)	DIM "L" (±0.25)	STACK HEIGHT (±0.50)
10127274-001LF	21.02	32
10127274-002LF	22.02	33
10127274-003LF	23.02	34
10127274-004LF	24.02	35
10127274-005LF	25.02	36
10127274-006LF	26.02	37
10127274-007LF	27.02	38
10127274-008LF	28.02	39
10127274-009LF	29.02	40
10127274-010LF	30.02	41
10127274-011LF	31.02	42



- NOTES:
- PRODUCT MARKING ON HOUSING IN AREA SHOWN MEETS AFCl SPECIFICATION: GS-24-007.
  - PACKAGING MEETS FCI SPECIFICATION GS-14-2456.
  - INTENDED USE: TWO CONNECTORS (P/N 10127272) MEZZANINE STACKED USING PCB TO CONTROL STACK HEIGHT.  
DIM "L" + 10.98mm = FINAL MEZZANINE STACK HEIGHT.  
DIM "L" RANGES FROM 21.02-31.02 mm IN 1 mm INCREMENTS.
  - WHEN DIM "L" DECREASED, THE STRENGTH OF PCB MAY BE THINNER CAUSED BY THESE SLOTS. SEPARATE SIGNAL AND POWER BOARDS MAY BE USED.
  - SOLDER MASK TO BE PRESENT ON BOTH SIDES IN HATCHED AREA;
  - A SYMBOL  $\triangle B$  WILL BE NEXT TO ANY DIMENSION, VIEW, OR NOTE WHICH HAS BEEN MODIFIED WITH THE CURRENT DRAWING REVISION.

spec ref	-	dr	Jackie Huang	2015/04/15	projection	MM	size	A2	scale	3:1	
tolerance std	ISO 406 ISO 1101	eng	Sunny2 Liu	2016/04/12			ecn no	ELX-DG-22934-1	rel level	Released	
TOLERANCES UNLESS OTHERWISE SPECIFIED		chr	Terris Liu	2016/05/20							product family
surface	linear	0.X	±0.5	0.XX	±0.25	0.XXX	±0.10	ASME Y14.5	angular	0°	±2°
Amphenol FCI		ASSY VERT RECP (8P)		HIGH POWER CARD EDGE		cat. no.	-	Product - Customer Drw	sheet 4 of 4		

Amphenol FCI

© 2016 AFCl