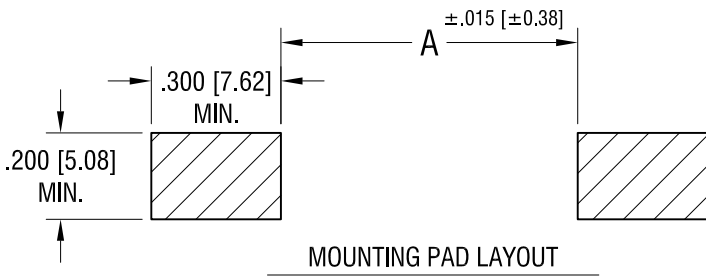
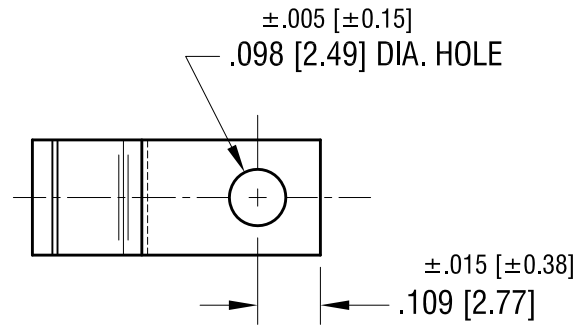
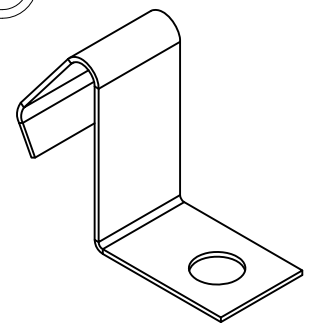
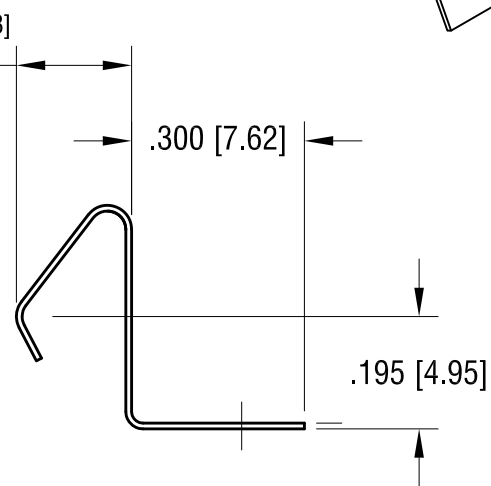
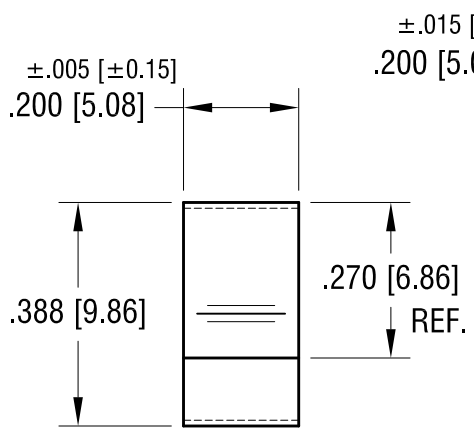


THIS DOCUMENT IS THE PROPERTY OF KEYSTONE ELECTRONICS CORP. AND SHALL NOT BE REPRODUCED, DISTRIBUTED OR USED AS A BASIS FOR MANUFACTURE WITHOUT PRIOR WRITTEN PERMISSION FROM KEYSTONE ELECTRONICS CORP.



| FOR BATTERY SIZE: | 'A' DIM. |
|-------------------|---------------|
| AAA | 1.959 [49.76] |
| AAAA | 1.864 [47.35] |



NOTE:
1. HEAT TREAT TO SPRING TEMPER.

| | | | |
|--|-----------------|--------------|-----------------|
| KEYSTONE ELECTRONICS CORP. | | | |
| www.keyelco.com • NEW HYDE PARK, NY 11040 • Tel (516) 328-7500 | | | |
| PART NAME BATTERY CONTACT, SURFACE MOUNT | | | |
| MATERIAL .010 [0.25] TH'K ANNEALED SPRING STEEL | | | |
| FINISH MATTE TIN PLATE | | DRN BY NT | DATE 7.28.09 |
| | | APP'D LN | SCALE 3X |
| TOLERANCES | INCH [MM] | CODE | DWG NO. |
| DECIMAL | ± .010 [± 0.25] | C | 5330 |
| ANGULAR | ± 1° | | |
| UNLESS OTHERWISE SPECIFIED | | | |

| DATE | DESCRIPTION | REV. |
|------|-------------|------|
| | | |