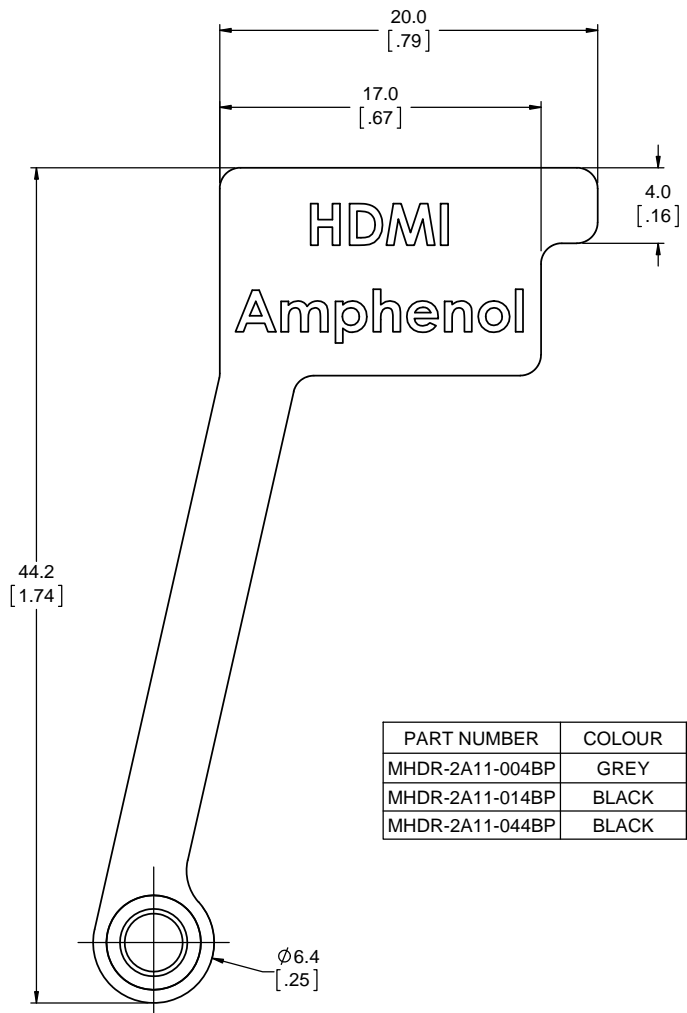
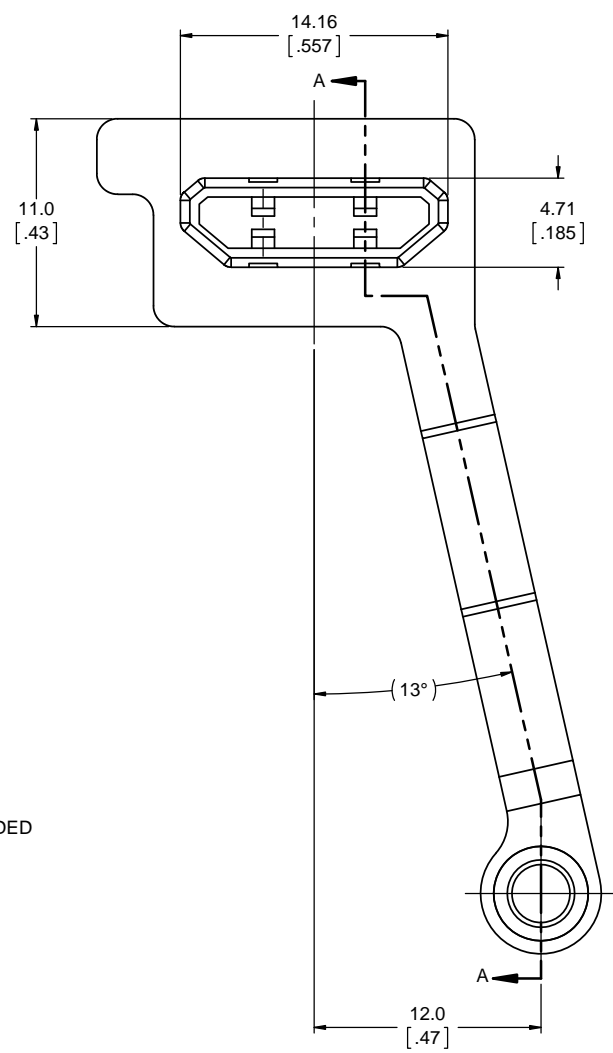
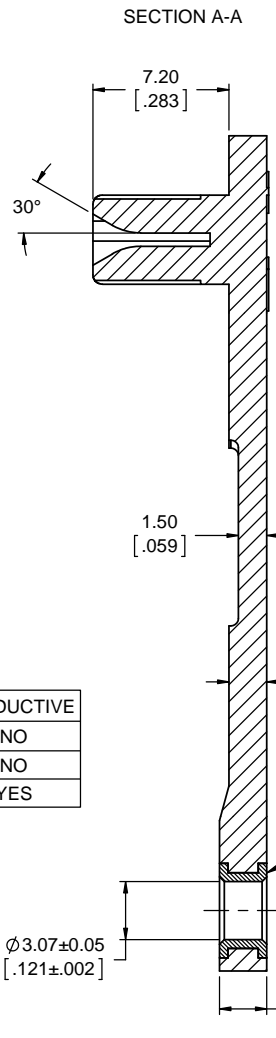


REVISIONS			
REV	DESCRIPTION, ECN, EAR NO.	DATE	APP'D
C	PROPOSAL DRAWING (EAR 14387)	SEP24/15	K.L.
D	PRODUCT DRAWING (EAR 14387)	MAY20/16	K.L.

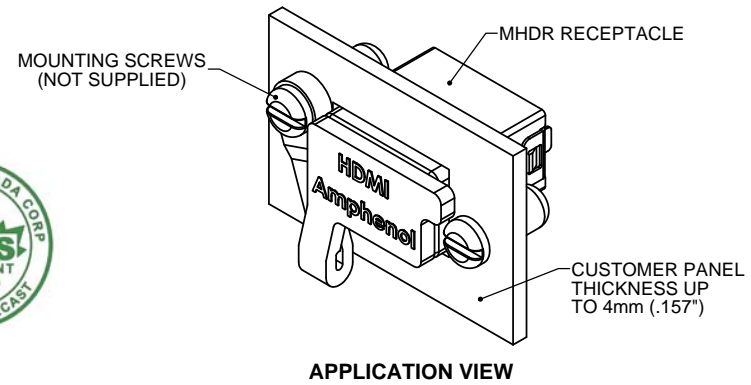


PART NUMBER	COLOUR	CONDUCTIVE
MHDR-2A11-004BP	GREY	NO
MHDR-2A11-014BP	BLACK	NO
MHDR-2A11-044BP	BLACK	YES



NOTES:

- MATERIALS: SEE ALSO PART NUMBER CHART
 - NON-CONDUCTIVE SILICONE RUBBER, 70 SHORE A DUROMETER, UL94V-0 FLAMMABILITY RATING OR
 - CONDUCTIVE SILICONE RUBBER, 75 SHORE A DUROMETER, 2.00 Ohm-cm VOLUME RESISTIVITY.
 - BUSHING - BRASS, NICKEL PLATED
- OPERATING TEMPERATURE: -40°C TO +105°C
- PART IS RoHS COMPLIANT PER EU DIRECTIVE 2011/65/EU AND AMENDMENTS.



UNLESS SPECIFIED OTHERWISE	DRAWN	B.COPPING	AUG13/15
PRIMARY UNITS MILLIMETERS	CHECKED	K.LAMBIE	AUG13/15
SECONDARY UNITS INCHES	M.E. APP'D		
REFERENCE IN PARENTHESES	Q.A. APP'D		
GENERAL TOLERANCES	DWG APPR.		
1 DECIMAL PLACE ±0.3	ENG. REL. NO.	EAR 14387	
2 DECIMAL PLACES ±0.15	REF.		
3 DECIMAL PLACES	THIRD ANGLE PROJECTION		
ANGULAR DEGREES			

Amphenol Canada Corp.
www.amphenolcanada.com

MHDR SERIES DUST COVER,
COLOUR OPTIONS, RoHS COMPLIANT

DWG. NO. **P-MHDR-2A11-0X4BP** REV **D**

CODE ID NO. 03554 DWG SIZE: X SCALE: 5:1 SHEET 1 OF 1