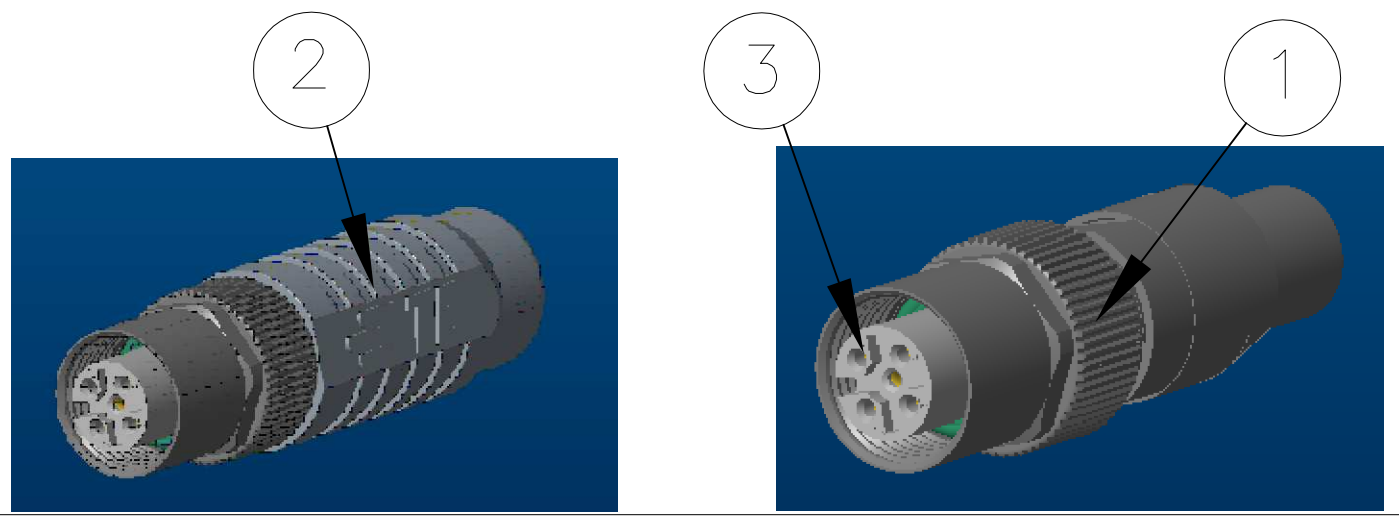
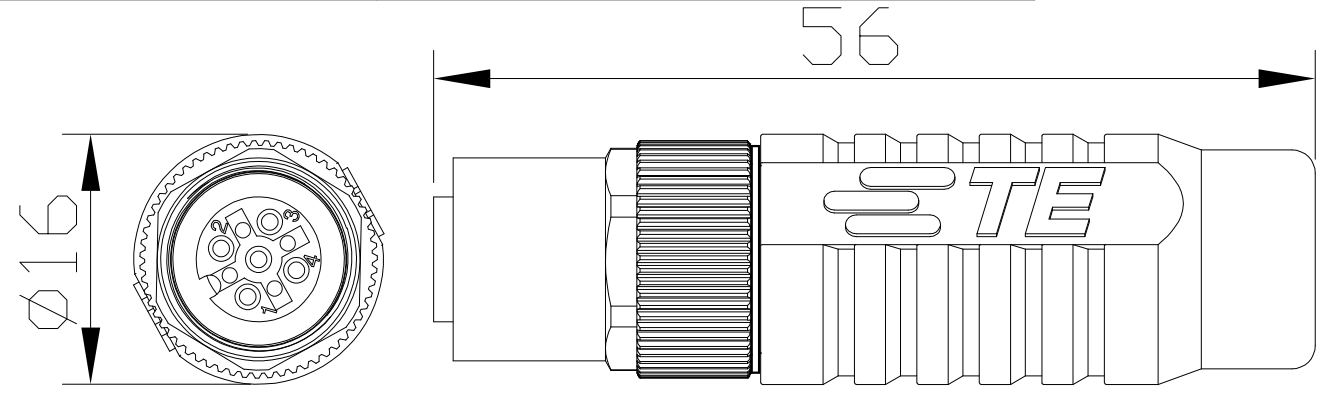


THIS DRAWING IS UNPUBLISHED. RELEASED FOR PUBLICATION NOV , 2007.
 © COPYRIGHT 2007 By - ALL RIGHTS RESERVED.

P	LTR	DESCRIPTION	DATE	DWN	APVD
	A3	ECR-16-014891	01MAR2017	KK	SE

PROJECT	PRJ-14-000004825
PART NO	X-2823450-X
HV DESC	M12, A-CODED,RAIL FEMALE CRIMP
CUSTOMER	GENERAL MARKET

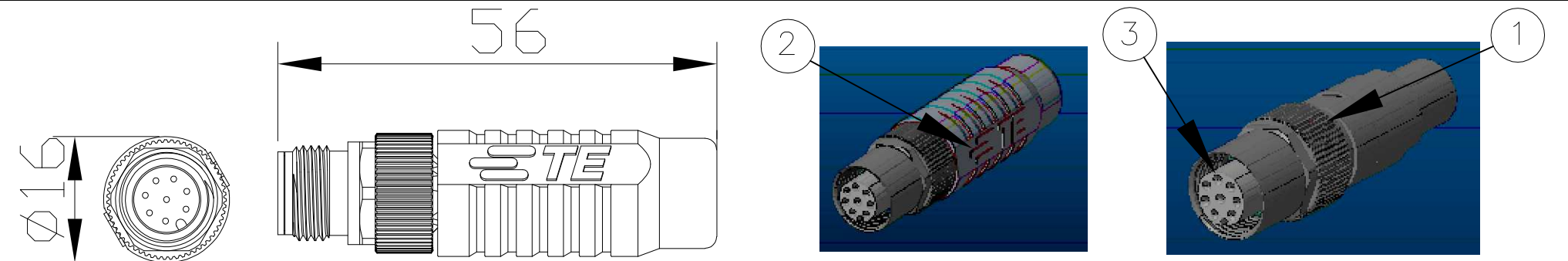
CABLE SOCKET AS SHOWN (5 POSITION)
 (SEE SHEET 2 FOR CHILD PART DETAILS)



CODE	TE FG PN'S	NUMBER OF POLES IN CONNECTOR	NUMBER OF CONTACTS REQUIRED	CABLE SOCKET	CABLE REFERENCE	AWG	HAND TOOL (TE PN) (COMPACT)	HAND TOOL (TE PN) (STANDARD)	RECOMMENDED POSITIONER (TE PN) (COMPACT)	RECOMMENDED POSITIONER (TE PN) (STANDARD)	CRIMP TOOL TE PN FOR CRIMP FLANGE/SLEEVE	CRIMP INSERT TE PN'S	CABLE JACKET STRIPPING TOOL TE PN	ASSEMBLY TOOL HANDLE FOR CRIMP FLANGE TE PN	UNIVERSAL INSERT TE PN (ALL M12 CODES)	ASSEMBLY TOOL FRONT HOUSING AND BACK NUT TE PN	CABLE COLOUR	NUMBER OF WIRES PER CABLE	CABLE MANUFACTURER	CABLE PN
A code	1-2823450-1	5	4	x	Cat 5 Radox 6.6mm	AWG22			TE: 601966-2 (AWG22)	TE: 1-2823582-4 (SEL No.7)		1-2823558-3					BLACK	4	H & S	12584038
A code	1-2823450-2	5	4	x	Cat 5 Radox 7.3mm	AWG22			TE: 601966-2 (AWG22)	TE: 1-2823582-4 (SEL No.7)		1-2823558-4					BLACK	4	H & S	12568935
A code	1-2823450-3	5	4	x	Cat 5 Radox 8.3mm	AWG20			TE: 601966-2 (AWG20)	TE: 1-2823582-4 (SEL No.7)		1-2823558-6					BLACK	4	H & S	12585489
A code	1-2823450-4	8	4	x	Cat 5 Radox 7.3mm	AWG22	TE PN : 601966-1	TE PN : 601967-1	TE: 1-2823582-9	TE: 1-2823582-6 (AWG24)	1-2823557-1	1-2823558-4	1-2823559-1	1-2823560-1	1-2823561-1	1-2823564-1	BLACK	4	H & S	12568935
A code	1-2823450-5	8	4	x	Cat 5 Radox 6.6mm	AWG22			TE: 1-2823582-9	TE: 1-2823582-6 (AWG24)		1-2823558-3					BLACK	4	H & S	12584038
A code	1-2823450-6	8	4	x	TE CAT 7	AWG24			TE: 1-2823582-9 SETTINGS: (SEL No.5)	TE: 1-2823582-6 (AWG24)		1-2823558-5					BLUE	8	TE	2297799-1
A code	1-2823450-7	5	4	x	TE CAT 7	AWG24			TE: 601966-2, SETTINGS: (SEL No.5)	TE: 1-2823582-4 (AWG24)		1-2823558-5					BLUE	8	TE	2297799-1

NOTES:

- MATERIAL:
 ITEM NO. 1: HOUSING - BRASS, NICKEL PLATED.
 ITEM NO. 2: PLASTIC BODY - PA (UL94 V-0).
 ITEM NO. 3: CONTACT FINISH - Au (gold).
 CONTACT - CuZn (Brass).
- ALL DIMENSIONS ARE FOR NOMINAL REFERENCE ONLY.
 - PACKAGING: 1 PIECE IN A BAG.
 - THE CONNECTOR IS AS PER IEC 61076-2-101.
 - TEMPERATURE RANGE: -40°C TO 85°C (WITH CABLE BOOT),
 -30°C TO 85°C (WITHOUT CABLE BOOT).
 - VIBRATION & SHOCK TEST CONDUCTED AS PER IEC 61373:1999.
 - FIRE PERFORMANCE CONDUCTED AS PER EN45545-2, NFF16-101 AND NFF16-102.
 - THE THREAD OF THE MATING INTERLACE WITH THE COUNTERPART IS M12x1 ACCORDING TO IEC61076-2-101.
 - REFER SPEC NO 408-156019 FOR INSTRUCTION SHEET (8 POSITION).
 - REFER SPEC NO 408-156022 FOR INSTRUCTION SHEET (5 POSITION).
 - CRIMP INSERT: SHOULD BE VALIDATED ON CABLE USED.
 - CUSTOMER SHOULD SELECT THE CONTACTS POSITIONS,BASED ON HIS REQUIREMENT.
 - WEIGHT 24 grams



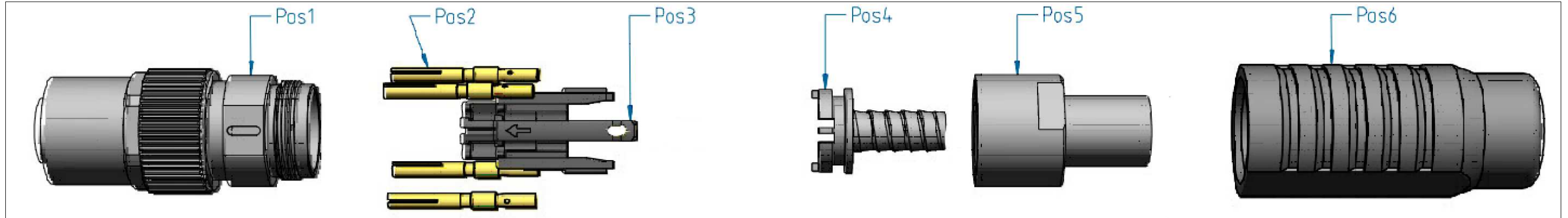
CABLE SOCKET AS SHOWN (8 POSITION) (SEE SHEET 2 FOR CHILD PART DETAILS)

THIS DRAWING IS A CONTROLLED DOCUMENT.		DWN	GUNA	09DEC2015	TE Connectivity			
DIMENSIONS: MM		CHK	GANI	09DEC2015				
TOLERANCES UNLESS OTHERWISE SPECIFIED:		APVD	JAYANTH	09DEC2015	NAME			
0 PLC	± -	PRODUCT SPEC		M12, A-CODED				
1 PLC	± -	APPLICATION SPEC		RAIL FEMALE, CRIMP CONNECTORS				
2 PLC	± -	WEIGHT		108-156001	SIZE	CAGE CODE	DRAWING NO	RESTRICTED TO
3 PLC	± -	MATERIAL		114-156002	A3	00779	C=2823450	-
4 PLC	± -	FINISH		CUSTOMER DRAWING	SCALE	NTS	SHEET	1 OF 2
ANGLES	± -							REV
								A3

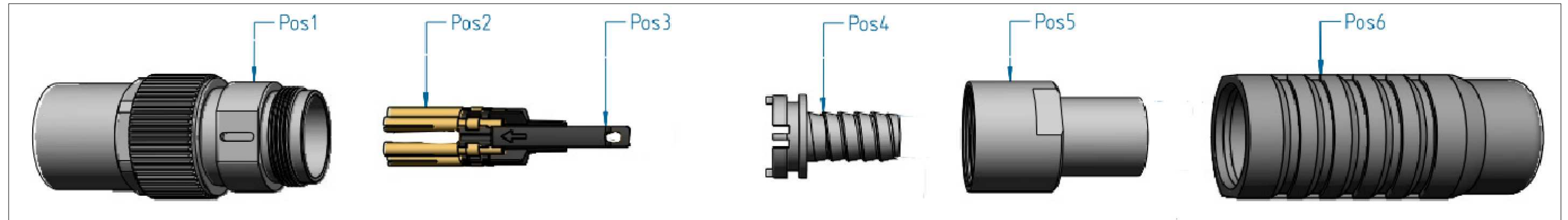
THIS DRAWING IS UNPUBLISHED.		RELEASED FOR PUBLICATION		NOV , 2007.	
© COPYRIGHT 2007 By -		ALL RIGHTS RESERVED.			
PROJECT	PRJ-14-000004825				
PART NO	X-2823450-X				
HV DESC	M12, A-CODED,RAIL FEMALE,CRIMP				
CUSTOMER	GENERAL MARKET				

REVISIONS					
P	LTR	DESCRIPTION	DATE	DWN	APVD
-	-	SEE SHEET 1	-	-	-


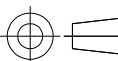
CABLE SOCKET AS SHOWN (5 POSITION)



CABLE SOCKET AS SHOWN (8 POSITION)



6	GRIP BOOT	1	PC
5	BACK NUT & CRIMP SLEEVE	1	PC
4	CRIMP INSERT	1	PC
3	CONTACT HOLDER	1	PC
2	CRIMP CONTACTS MACHINED	4	PC
1	FRONT HOUSING	1	PC
Position	DESCRIPTION	QTY	UNIT

THIS DRAWING IS A CONTROLLED DOCUMENT.		DWN	GUNA	09DEC2015	 TE Connectivity	
		CHK	GANI	09DEC2015		
		APVD	JAYANTH	09DEC2015		
		PRODUCT SPEC				
		APPLICATION SPEC			NAME	M12, A-CODED RAIL FEMALE, CRIMP CONNECTORS
DIMENSIONS: MM 		TOLERANCES UNLESS OTHERWISE SPECIFIED: 0 PLC ± - 1 PLC ± - 2 PLC ± - 3 PLC ± - 4 PLC ± - ANGLES ± -		SIZE A3		
MATERIAL		FINISH		CAGE CODE 00779		
				DRAWING NO C-2823450		
				RESTRICTED TO -		
				WEIGHT -		
				SCALE NTS		
				SHEET 2 OF 2		
				REV A3		
				CUSTOMER DRAWING		