

THIS DRAWING IS UNPUBLISHED.

RELEASED FOR PUBLICATION

20

© COPYRIGHT 20 BY -

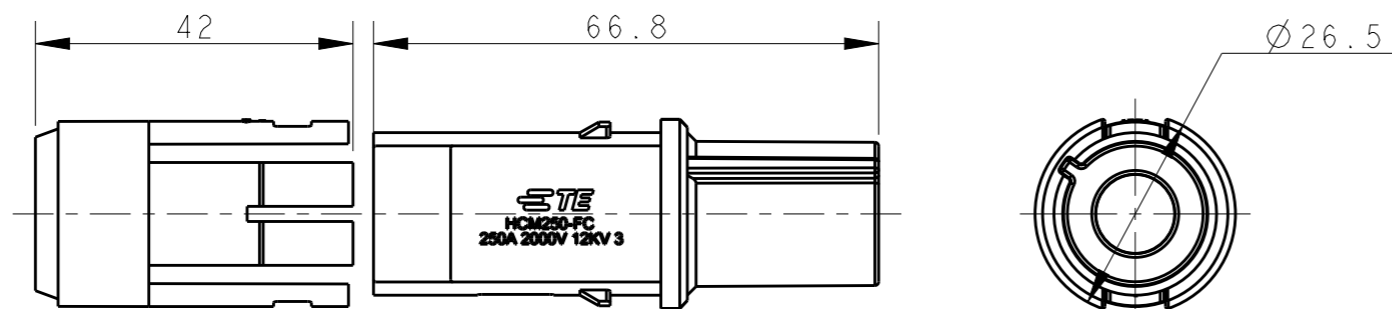
ALL RIGHTS RESERVED.

REVISIONS

P	LTR	DESCRIPTION	DATE	DWN	APVD
	A	INITIAL	05DEC2016	BS	CW

BEFORE ASSEMBLY:

组装前:



NOTES:

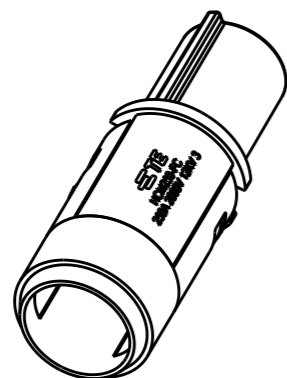
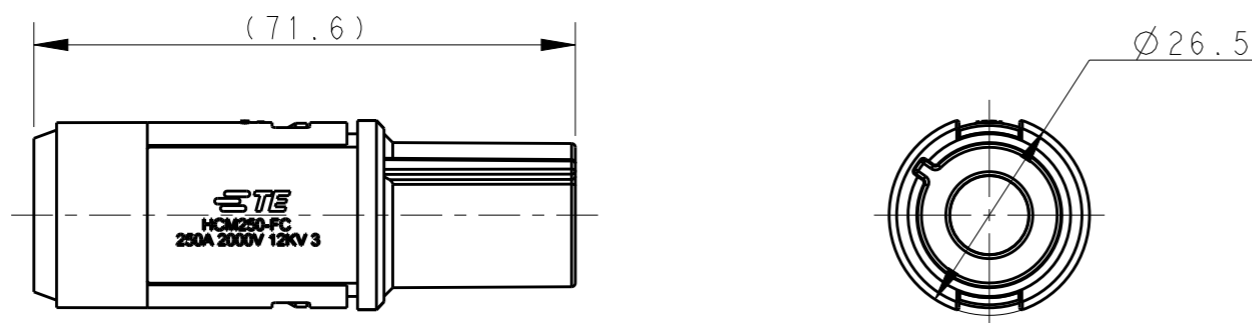
1. TECHNICAL CHARACTERISTICS:  
INSULATION MATERIAL: PC  
RATED VOLTAGE: 2000V  
RATED CURRENT: 250A  
RATED IMPULSE VOLTAGE: 12KV  
POLLUTION DEGREE: 3  
FLAMMABILITY: UL94V-0  
WIRE RANGE: 35-70 mm<sup>2</sup>  
CONTACT TYPE: CRIMP CONTACT
2. CONTACT NEED TO BE ORDERED SEPARATELY.  
(ORDER No. REFER TO DRAWING:T21925020XX000)

注释:

1. 技术参数:  
绝缘材料: PC  
额定电压: 2000V  
额定电流: 250A  
额定脉冲电压: 12KV  
污染等级: 3  
阻燃等级: UL94V-0  
接线范围: 35-70 mm<sup>2</sup>  
接线类型: 冷压接
2. 端子需要单独订购。  
(订货号参考图面: T21925020XX000)

AFTER ASSEMBLY:

组装后:



T2192503201-000	HCM250-FC	HCM250 FEMALE INSERT, CRIMP HCM250母插、冷压型
-----------------	-----------	---


PART NUMBER  
零件料号

PART DESCRIPTION  
零件描述

THIS DRAWING IS A CONTROLLED DOCUMENT.

DIMENSIONS:	TOLERANCES UNLESS OTHERWISE SPECIFIED:
mm	
0 PLC	±-
1 PLC	±-
2 PLC	±-
3 PLC	±-
4 PLC	±-
ANGLES	±-
MATERIAL	FINISH
-	-
-	-

DWN	05DEC2016
BELL SU	
CHK	05DEC2016
KYLE ZENG	
APVD	05DEC2016
CHRIS WANG	
PRODUCT SPEC	108-137171
APPLICATION SPEC	114-137171
WEIGHT	-
CUSTOMER DRAWING	

 TE Connectivity		NAME		HCM250-FC	
		SIZE	CAGE CODE	DRAWING NO	RESTRICTED TO
A3	-	©-T2192503201000	-		
SCALE		1:1	SHEET	1 OF 1	REV
					A