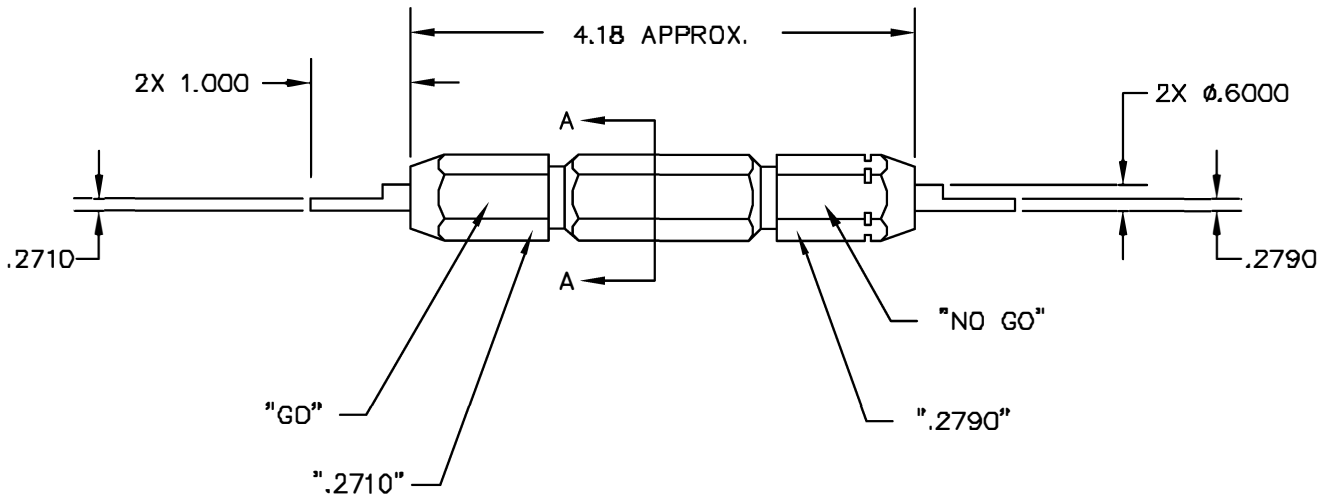


REVISIONS				
REV. SYM.	E.C.O. NUMBER	DESCRIPTION	BY DATE	APP'D DATE
1		ORIGINAL RELEASE	JMJ 1/17/03	RRR 1/17/03



**UNCONTROLLED DOCUMENT  
WILL NOT BE UPDATED**

<b>RESTRICTED &amp; CONFIDENTIAL</b>  CONFIDENTIAL PROPERTY OF DANIELS MANUFACTURING CORP. NOT TO BE DISCLOSED TO OTHERS, REPRODUCED OR USED FOR ANY OTHER PURPOSE EXCEPT AS AUTHORIZED IN WRITING BY DANIELS MANUFACTURING. MUST BE RETURNED TO DANIELS MANUFACTURING CORP. ON COMPLETION OF ORDER OR OTHER PURPOSE FOR WHICH SENT.	MATERIAL	ITEM	PART NO.	QTY.	DESCRIPTION/REMARKS
	HEAT TREAT	DRN.	J. JOYCE	DATE	1/17/03
		GRD.	RRR	DATE	1/17/03
	FINISH	APPD.		DATE	
APPD.			DATE		
DO NOT SCALE DRAWING					TITLE <b>GO/NO-GO GAGE ENVELOPE DRAWING</b>
					WHERE USED: SIZE B   SCALE NTS   CAD FILE NO G749-ENV   SHEET OF 1 1 POSTING   P/N G749-ENV   REV. 1