

4

3

2

1

THIS DRAWING IS UNPUBLISHED. RELEASED FOR PUBLICATION 20
 © COPYRIGHT 20 BY - ALL RIGHTS RESERVED.

REVISIONS				
P	LTR	DESCRIPTION	DATE	APVD
A		REVISED AS PER ECR-15-005925	21APR2015	RS JL
B		REVISED AS PER ECR-16-000859	08MAR2016	RS JL

30.0
ACROSS HEXAGON
FLATS

20.8

Ø12.9

3

NOTES:

- MATERIAL: GLASS FILLED PBT, COLOR: BLACK
- MUST COMPLY WITH DIRECTIVE 2002/95/EC (ROHS)
- ALL POLARIZATION KEYS SHOWN FOR REF ONLY.
- CIRCUIT I.D.
- THIS PRODUCT HAS NOT COMPLETED VALIDATION TESTING

4

L3 S2 S1

4

S2 S1 L2 PE

11.0

17.2

3.8

13.9

STE

2213263-A

400 V

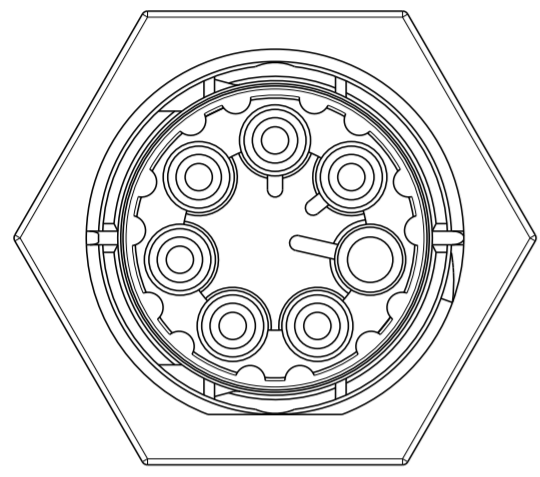
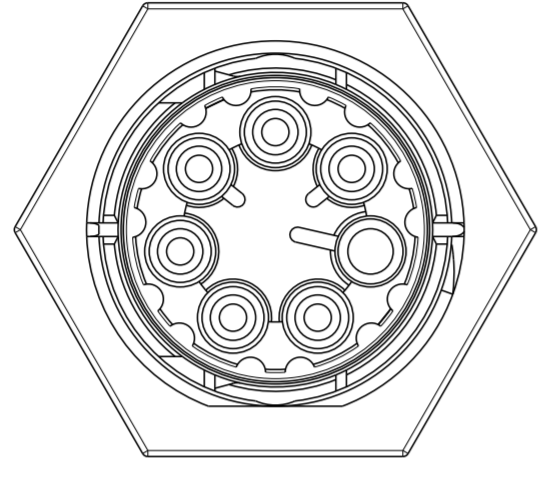
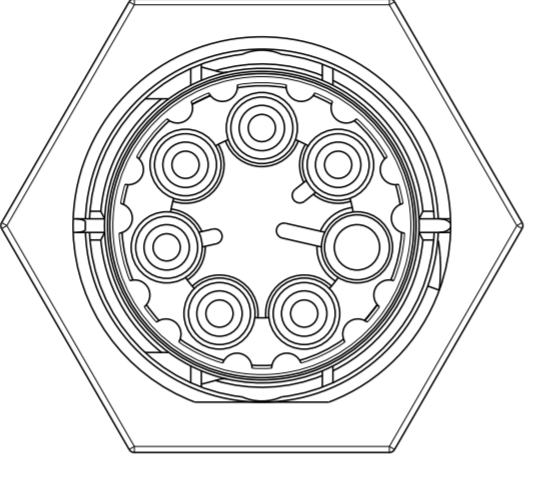
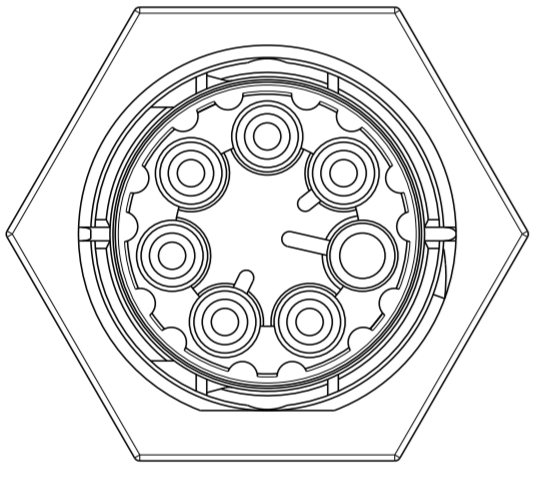
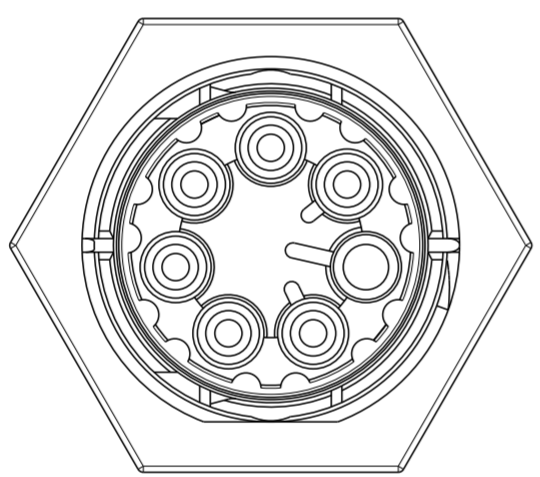
POLARIZATION KEYING	DESCRIPTION	PART NUMBER
E	PANEL MT SKT. SEALED NECTOR M, 7 POLE	2213263-5
D	PANEL MT SKT. SEALED NECTOR M, 7 POLE	2213263-4
C	PANEL MT SKT. SEALED NECTOR M, 7 POLE	2213263-3
B	PANEL MT SKT. SEALED NECTOR M, 7 POLE	2213263-2
A	PANEL MT SKT. SEALED NECTOR M, 7 POLE	2213263-1

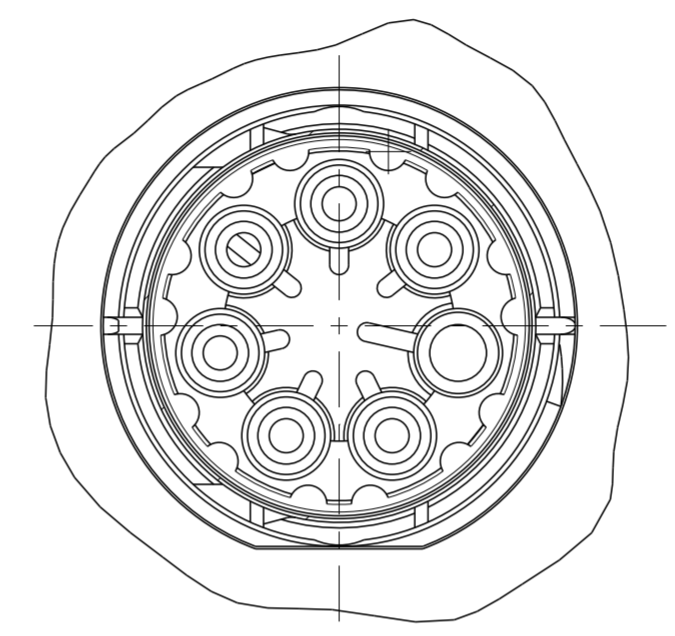
THIS DRAWING IS A CONTROLLED DOCUMENT.		DWN J. SHAEFFER 12NOV2013	TE Connectivity	
DIMENSIONS: mm		CHK M. LUKSIC 12NOV2013		
TOLERANCES UNLESS OTHERWISE SPECIFIED:		APVD M. LUKSIC 12NOV2013	NAME	
0 PLC ±	1 PLC ±0.2	PRODUCT SPEC	PANEL MOUNT, SOCKET; SEALED NECTOR M, 7 POLE	
2 PLC ±0.13	3 PLC ±	108-133014	-	
4 PLC ±	ANGLES ±	114-32111	SIZE	CAGE CODE
FINISH		WEIGHT	A2	-
NOTE 1		CUSTOMER DRAWING	DRAWING NO	RESTRICTED TO
			G-2213263	-
			SCALE 2:1	SHEET 1 OF 2
				REV B

1471-9 (3/13)

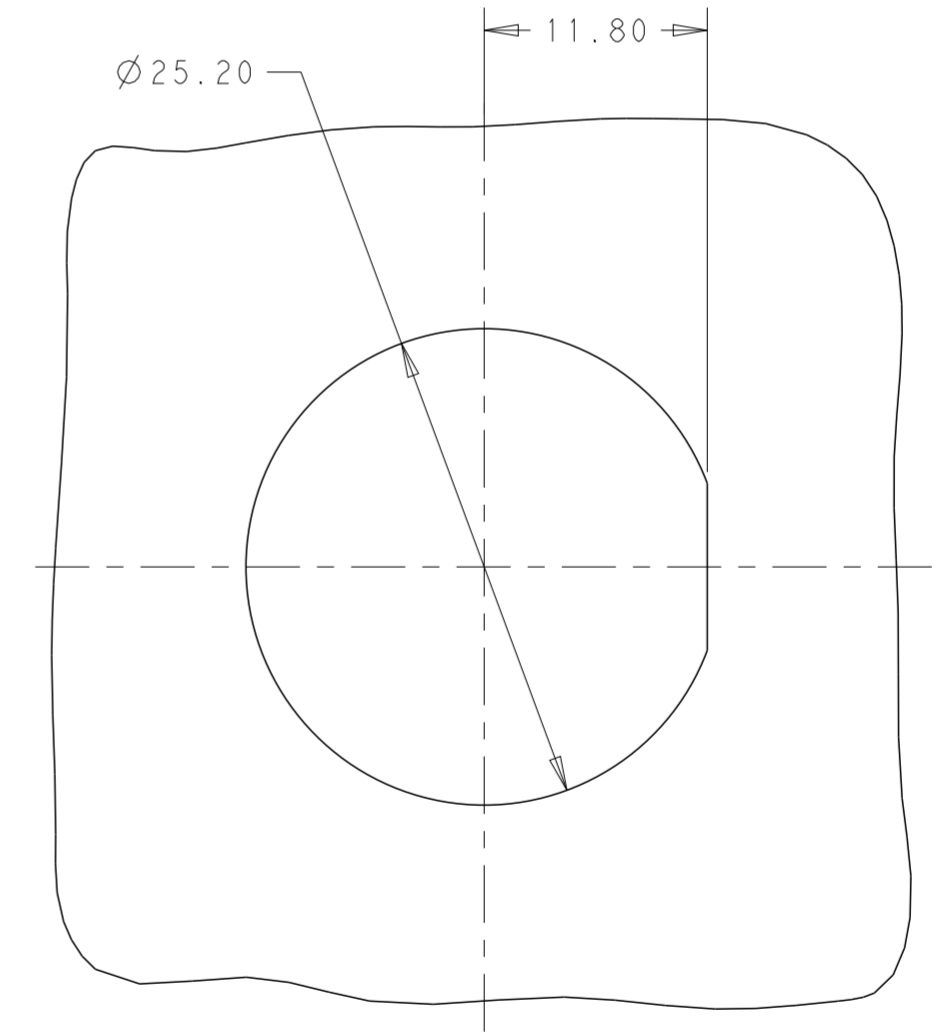
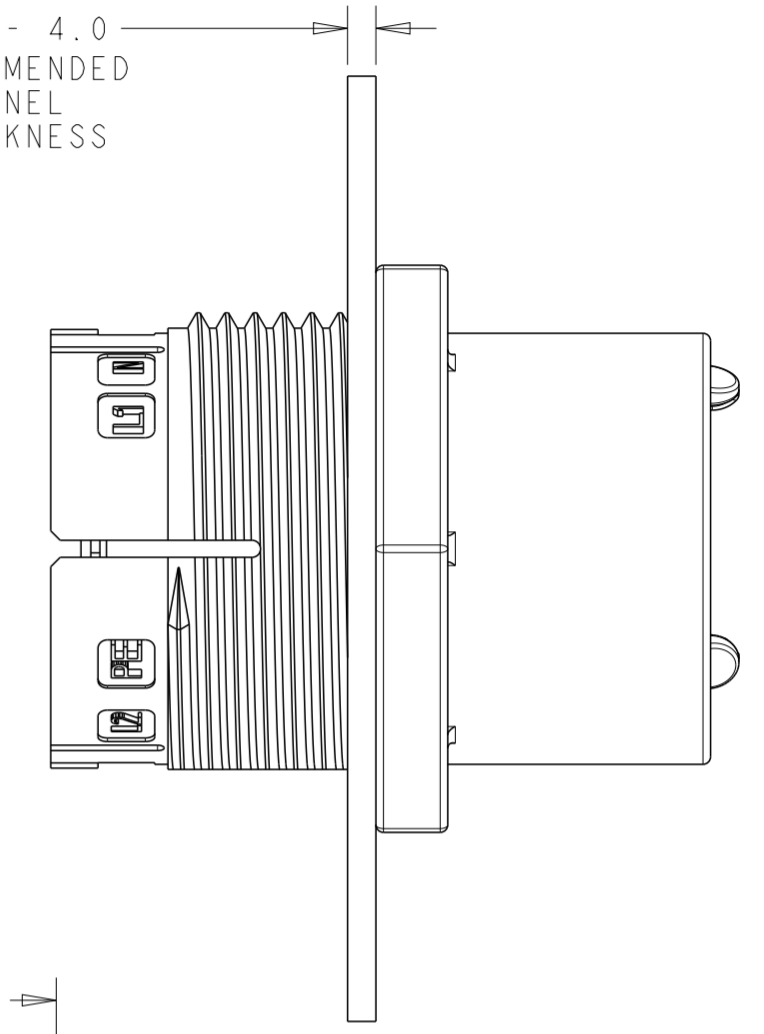
REVISIONS				
P	LTR	DESCRIPTION	DATE	APVD
-	-	SEE SHEET 1	-	-

POLARIZATION TYPES

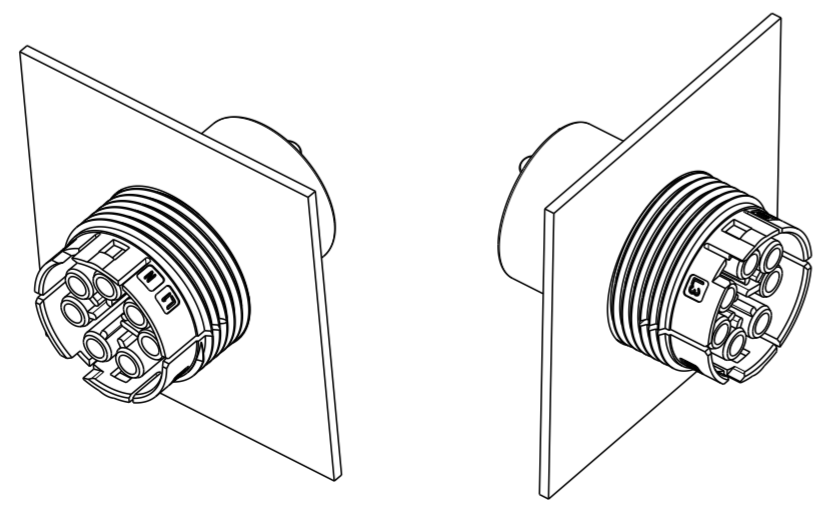
POLARIZATION TYPE "A"	POLARIZATION TYPE "B"	POLARIZATION TYPE "C"
		
PN: 2213263-1	PN: 2213263-2	PN: 2213263-3
POLARIZATION TYPE "D"	POLARIZATION TYPE "E"	
		
PN: 2213263-4	PN: 2213263-5	



1.5 - 4.0
RECOMMENDED
PANEL
THICKNESS



RECOMMENDED
PANEL CUTOUT
SCALE 5:2



3D VIEWS
FOR REFERENCE ONLY

THIS DRAWING IS A CONTROLLED DOCUMENT.		DWN J. SHAFFER 12NOV2013	STE TE Connectivity	
DIMENSIONS: mm		CHK M. LUKSIC 12NOV2013		
TOLERANCES UNLESS OTHERWISE SPECIFIED:		APVD M. LUKSIC 12NOV2013	NAME PANEL MOUNT, SOCKET; SEALED NECTOR M, 7 POLE	
0 PLC ±	±0.2	PRODUCT SPEC 108-133014	SIZE A2	CAGE CODE -
1 PLC ±	±0.13	APPLICATION SPEC 114-32111	DRAWING NO G-2213263	RESTRICTED TO -
2 PLC ±	±	WEIGHT -	SCALE 2:1	SHEET 2 OF 2
3 PLC ±	±	CUSTOMER DRAWING	REV B	
4 PLC ±	±			
ANGLES ±	±			
FINISH -	-			