

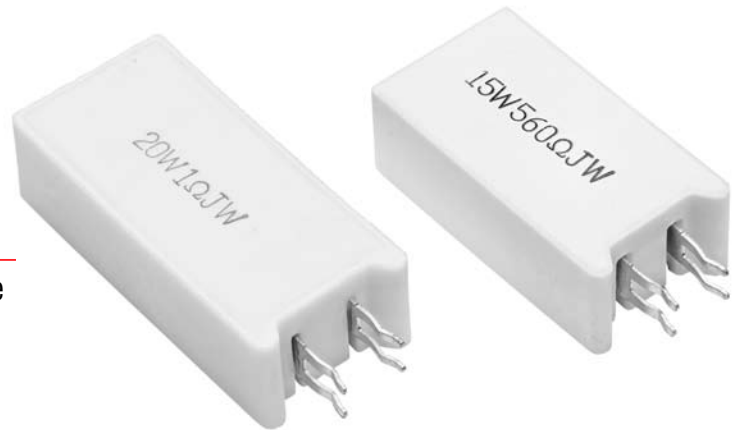
TWM/TWW Series



Ceramic Housed Radial Terminal Power

The TWM/TWW series radial terminal power resistors offer significant board space savings over axial terminal products. Generated heat is also kept away from the circuit board.

They are recommended for commercial applications requiring low cost.



FEATURES

- Economical Commercial Grade for general purpose use
- Wirewound and Metal Oxide construction
- Wide resistance range
- Flameproof inorganic construction

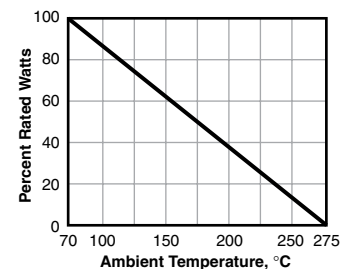
SERIES SPECIFICATIONS

Series	Wattage	Resistance	Voltage	Element
TWW3	3	0.01-39Ω	250	Wire
TWW5	5	0.01-47Ω	350	Wire
TWW10	10	0.04-990Ω	750	Wire
TWW15	15	0.1Ω-560Ω	700	Wire
TWW20	20	0.1Ω-560Ω	750	Wire
TWM3	3	43-50KΩ	250	Metal oxide
TWM5	5	51-50KΩ	350	Metal oxide
TWM10	10	1000-50KΩ	750	Metal oxide
TWM15	15	561Ω-200KΩ	700	Metal oxide
TWM20	20	561Ω-200KΩ	750	Metal oxide

CHARACTERISTICS

Housing	Ceramic
Core	Fiberglass
Filling	Cement based
Tolerance	5% standard
Temperature coefficient	0.01-20Ω ±400ppm/°C; >20-10Ω ±350ppm/°C
Dielectric withstanding voltage	1,000VAC
Short time overload	TWW: 10x rated power for 5 sec.; TWM: 5x rated power for 5 sec. 15 & 20 watt: 2.5x RCWV for 5 sec.
Operating Temperature	-55°C to 275°C
Storage Temperature	15°C-35°C, humidity: 25%-75%

Derating



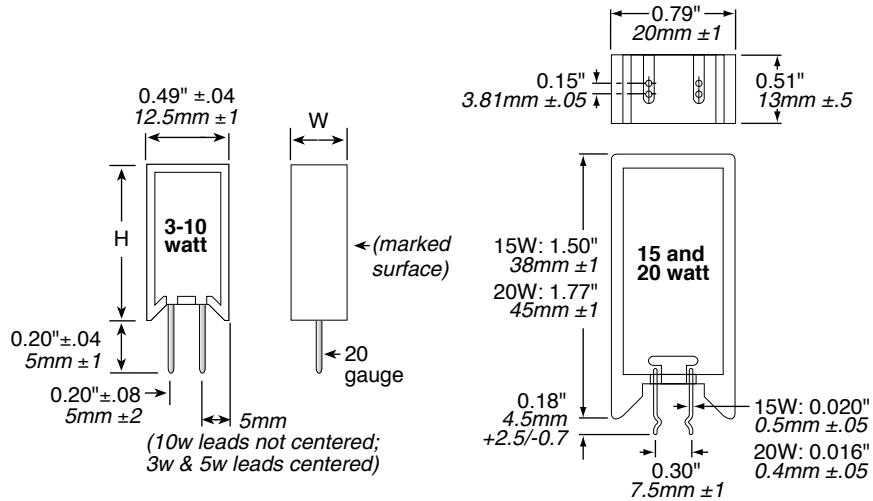
(continued)

TWM/TWW Series

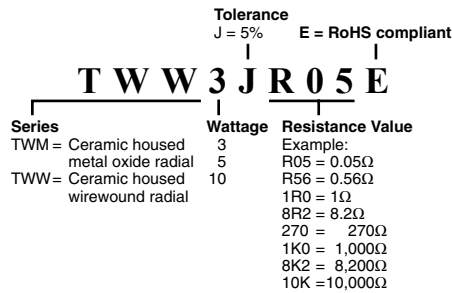
Ceramic Housed Radial Terminal Power

DIMENSIONS

3-10 watt Series	Height (in./mm) ±1mm	Width (in./mm) ±1mm
TWW3	0.98 / 25	0.33 / 8.5
TWW5	0.98 / 25	0.35 / 9
TWM10	1.97 / 50	0.35 / 9
TWM3	0.98 / 25	0.33 / 8.5
TWM5	0.98 / 25	0.35 / 9
TWM10	1.97 / 50	0.35 / 9



HOW TO ORDER



Standard part numbers for TWW series

Ohmic value	Part No. Prefix Suffix	Wattage					Ohmic value	Part No. Prefix Suffix	Wattage				
		3	5	10	15	20			3	5	10	15	20
0.01	R01E	✓	✓				47	47RE	✓	✓	✓		
0.02	R02E	✓	✓				51	51RE	✓				✓
0.03	R03E	✓	✓				56	56RE	✓				✓
0.04	R04E	✓	✓	✓			68	68RE	✓				✓
0.05	R05E	✓	✓	✓			75	75RE	✓				✓
0.10	R10E	✓	✓	✓	✓		82	82RE	✓				✓
0.15	R15E	✓	✓	✓	✓		100	100E	✓			✓	✓
0.20	R20E	✓	✓	✓	✓		150	150E	✓			✓	✓
0.27	R27E	✓	✓	✓	✓		200	200E	✓			✓	✓
0.30	R30E	✓	✓	✓	✓		270	270E	✓			✓	✓
0.33	R33E	✓	✓	✓	✓		300	300E	✓				✓
0.39	R39E	✓	✓	✓	✓		330	330E	✓				✓
0.43	R43E	✓	✓	✓	✓		390	390E	✓				✓
0.47	R47E	✓	✓	✓	✓		430	430E	✓				✓
0.56	R56E	✓	✓	✓	✓		470	470E	✓				✓
0.68	R68E	✓	✓	✓	✓		500	500E	✓				✓
0.75	R75E	✓	✓	✓	✓		560	560E	✓				✓
0.82	R82E	✓	✓	✓	✓		680	680E	✓				✓
1.0	R10E	✓	✓	✓	✓		750	750E	✓				✓
1.5	R15E	✓	✓	✓	✓		820	820E	✓				✓
2.0	R20E	✓	✓	✓	✓								
2.7	R27E	✓	✓	✓	✓	✓							
3.0	R30E	✓	✓	✓	✓								
3.3	R33E	✓	✓	✓	✓								
3.9	R39E	✓	✓	✓	✓								
4.3	R43E	✓	✓	✓	✓								
4.7	R47E	✓	✓	✓	✓								
5.6	R56E	✓	✓	✓	✓								
6.8	R68E	✓	✓	✓	✓								
7.5	R75E	✓	✓	✓	✓								
8.2	R82E	✓	✓	✓	✓								
10	R10E	✓	✓	✓	✓	✓							
15	R15E	✓	✓	✓	✓	✓							
20	R20E	✓	✓	✓	✓								
22	R22E	✓	✓	✓	✓								
27	R27E	✓	✓	✓	✓	✓							
30	R30E	✓	✓	✓	✓								
33	R33E	✓	✓	✓	✓								
39	R39E	✓	✓	✓	✓								
43	R43E	✓	✓	✓	✓								

Standard part numbers for TWM series

Ohmic value	Part No. Prefix Suffix	Wattage					Ohmic value	Part No. Prefix Suffix	Wattage				
		3	5	10	15	20			3	5	10	15	20
43	43RE	✓					1000	1K0	✓	✓	✓	✓	✓
47	47RE	✓					1500	1K5	✓	✓	✓	✓	✓
56	56RE	✓	✓				2000	2K0	✓	✓	✓	✓	✓
68	68RE	✓	✓	✓			2700	2K7	✓	✓	✓	✓	✓
75	75RE	✓	✓	✓			3000	3K0	✓	✓	✓	✓	✓
82	82RE	✓	✓	✓			3300	3K3	✓	✓	✓	✓	✓
100	100E	✓	✓	✓			3900	3K9	✓	✓	✓	✓	✓
150	150E	✓	✓	✓			4300	4K3	✓	✓	✓	✓	✓
200	200E	✓	✓	✓			4700	4K7	✓	✓	✓	✓	✓
270	270E	✓	✓	✓			5600	5K6	✓	✓	✓	✓	✓
300	300E	✓	✓	✓			5100	5K1	✓	✓	✓	✓	✓
330	330E	✓	✓	✓			6800	6K8	✓	✓	✓	✓	✓
390	390E	✓	✓	✓			7500	7K5	✓	✓	✓	✓	✓
430	430E	✓	✓	✓			8200	8K2	✓	✓	✓	✓	✓
470	470E	✓	✓	✓			10000	10K	✓	✓	✓	✓	✓
560	560E	✓	✓	✓			27000	27K					✓
680	680E	✓	✓	✓			47000	47K					✓
750	750E	✓	✓	✓			51000	51K					✓
820	820E	✓	✓	✓			75000	75K					✓