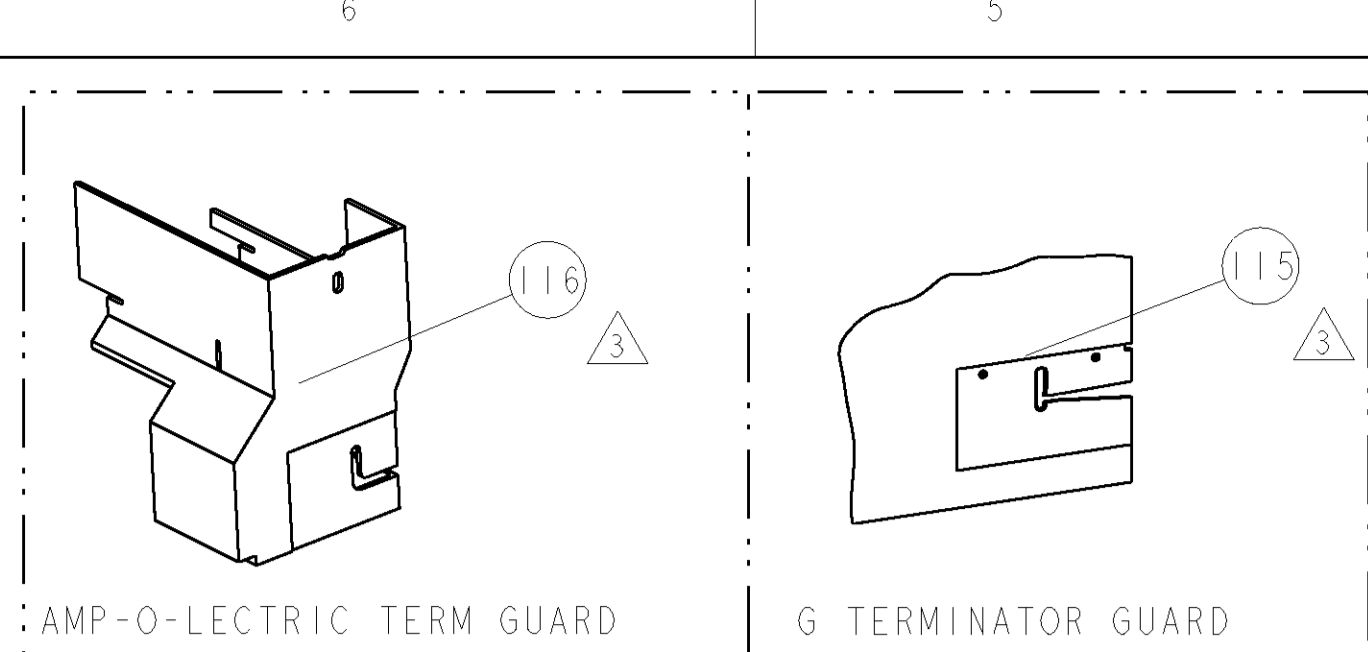


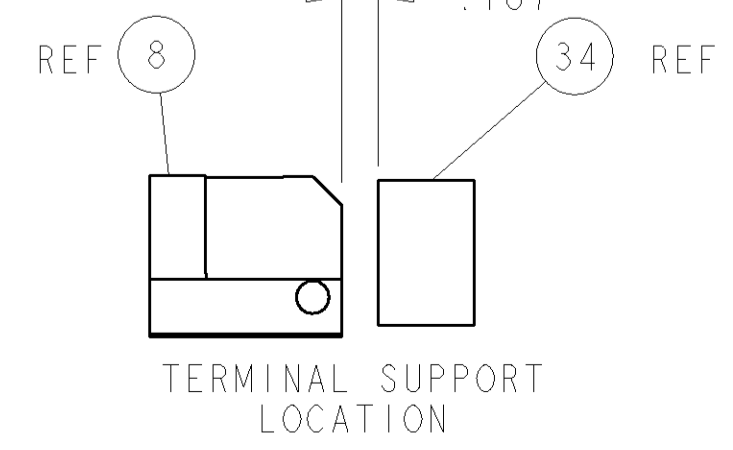
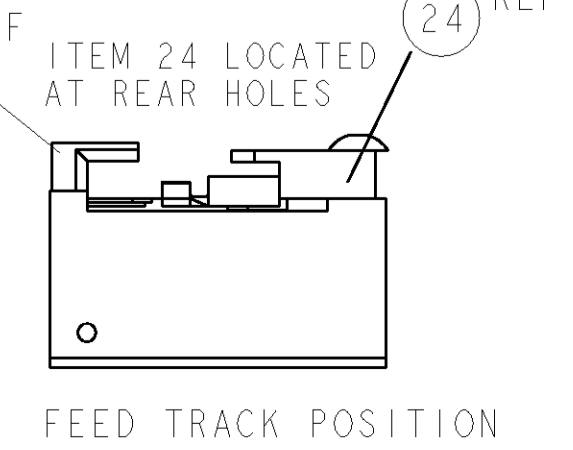
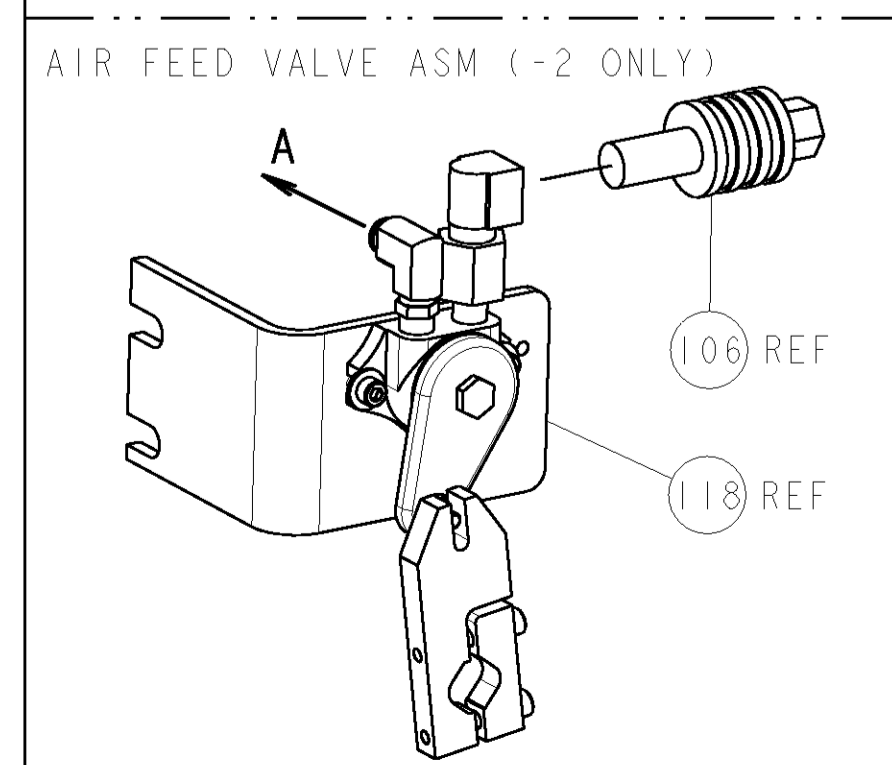
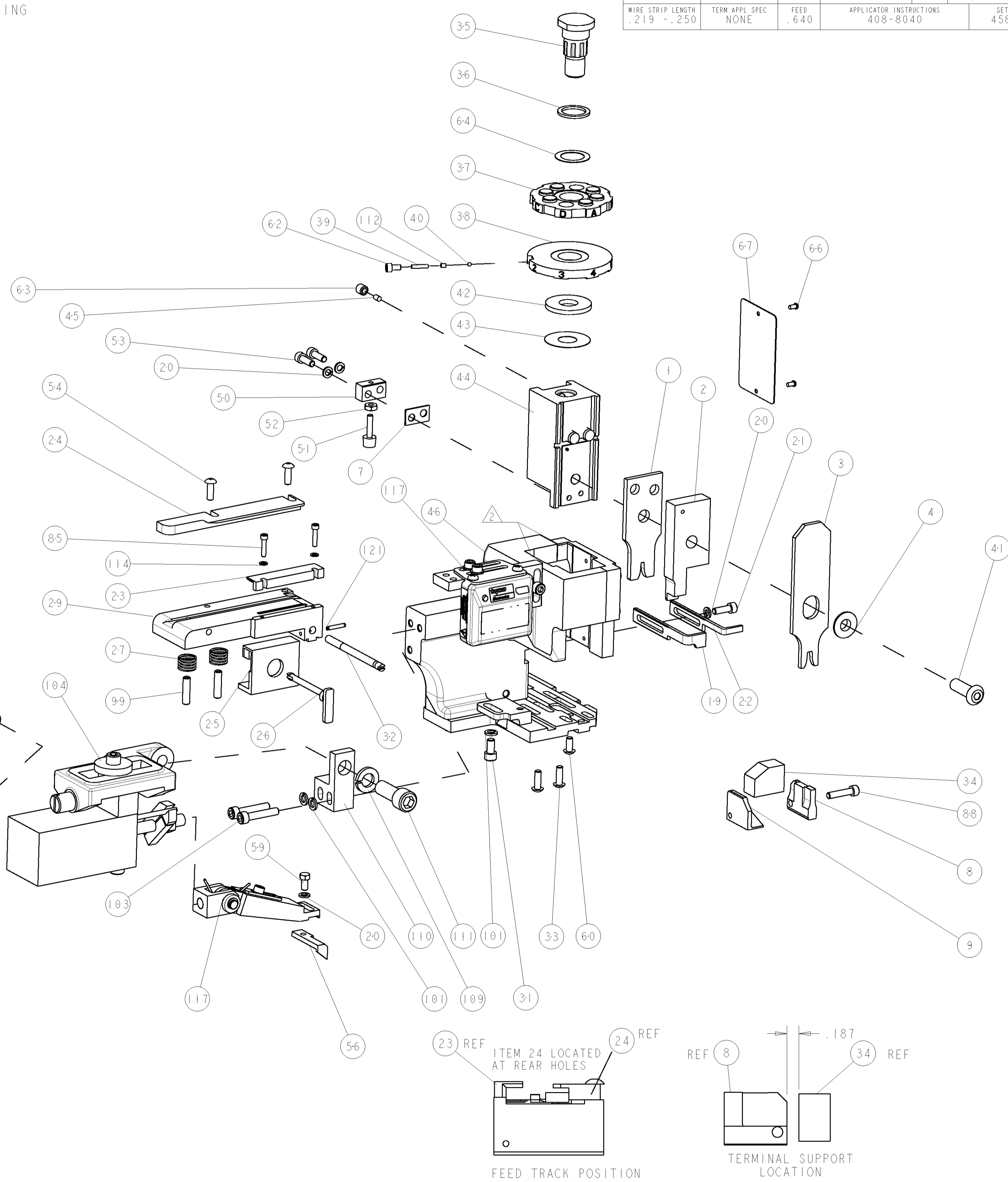
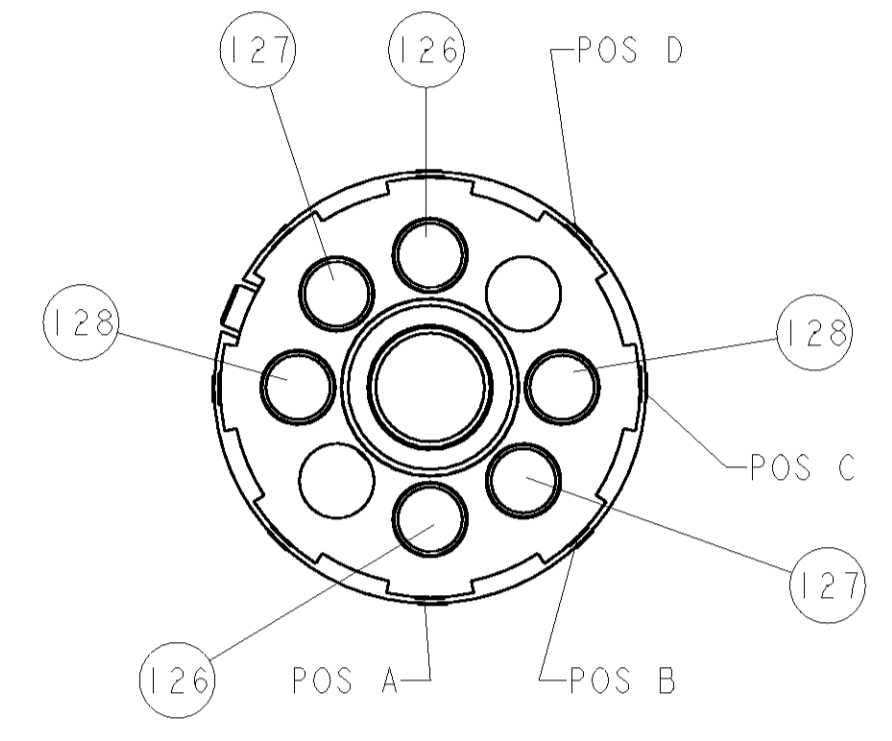
PART NUMBER	REV	FIRST USED	POWER UNIT	FEED TYPE	DESCRIPTION
1852572-1	A	122500-1	LEADMAKER	AIR FEED	CUTS CARRIER
1852572-2	A	565435-5	BENCH MODEL K	AIR FEED	CUTS CARRIER
1852572-3	A	354500-1	BENCH MODEL G	AIR FEED	CUTS CARRIER
1852572-6	A	122500-1	LEADMAKER	AIR FEED	CONTINUOUS CARRIER
7-1852572-7	A	-	-	-	SPARE PARTS



TERMINAL NAME: TAXI TERM F M/P 280			
AMP	PACKARD	PACKARD TERMINAL - AMP CRIMP SPECS	
1949274-1	12110645		
-	-	PAD LTR	CRIMP HEIGHT
-	-	A	.062±.002 [1.57±0.05mm]
-	-	B	.059±.002 [1.50±0.05mm]
-	-	C	.056±.002 [1.42±0.05mm]
-	-	D	-
-	-	CRIMP	SIZE TYPE RANGE
-	-	WIRE	.100 [2.54mm] F 18-16 AWG
-	-	INSUL	.155 [3.94mm] F ∅.077-.104
WIRE STRIP LENGTH	TERM APPL SPEC	FEED	APPLICATOR INSTRUCTIONS
.219 -.250	NONE	.640	408-8040
			SET UP GAGE 458637-1

LOC	REV	DESCRIPTION	DATE	BY	CHKD
A	66	PRODUCT RELEASE	NOV2007	CMR	TE
A1		REMOVED FINE ADJ FROM DWG NAME	JAN2008	CMR	ND

- △ RECOMMENDED SPARE PARTS
- △ GREASE LIGHTLY
- △ GUARD MUST BE IN PLACE WHEN OPERATING APPLICATOR IN A BENCH MACHINE
- △ 16 AWG NOT RECOMMENDED BY PACKARD FOR THIS TERMINAL.



QTY	UNIT	PART NO	DESCRIPTION	ITEM NO	
2		2-354779-4	PIN, WIRE DISC, .3110	128	
2		1-354779-6	PIN, WIRE DISC, .3070	127	
2		354779-9	PIN, WIRE DISC, .3035	126	
1		3-21028-7	PIN, SLOTTED SPRING .094 X .562	121	
-	-	REF	692655-6	AIR FEED VALVE ASSEMBLY	118
1		461062-1	FEED FINGER ASSEMBLY	117	
-	-	REF	455749-1	GUARD WINDOW	116
-	-	REF	679532-1	INSERT, GUARD	115
2		21024-2	WASHER, SPRG LOCK, REG NO 4	114	
1		690603-1	SPRING ASSIST AMP-O-MATOR APPLICATOR	112	
1		3-21001-5	SCR, SKT HD CAP 3/8-16 X 1.000	111	
1		459610-1	MOUNT, FEED BRACKET	110	
1		21024-8	WASHER, SPRG LOCK, REG 3/8	109	
1		692655-7	AIR FEED VALVE ASSEMBLY	108	
-	-	REF	24024-2	VALVE, SHUT OFF	106
-	-	1	692655-5	AIR FEED VALVE ASSEMBLY	105
1		461065-1	ASSEMBLY, AIR FEED	104	
2		3-21000-9	SCR, SKT HD CAP 10-32 X 1.000	103	
3		21024-5	WASHER, SPRG LOCK, REG NO 10	101	
2		5-21006-6	SCR, SET, CUP POINT 10-32 X .750	99	
1		2-21000-9	SCR, SKT HD CAP 8-32 X .750	88	
2		1-21000-5	SCR, SKT HD CAP 4-40 X .500	85	
1		4088040	SF APPL INST 408-8040	72	
1		217238-1	GENERAL INSTRUCTION PKG	71	
1		461264-1	PLATE, IDENTIFICATION	67	
2		21017-2	SCREW, DRIVE	66	
1		986950-1	WASHER, FLAT PRECISION	64	
1		21009-2	SCR, SET, SELF LOCKING 1/4-20 X .250	63	
1		23030-1	SCR, SKT HD CAP 6-32 X .25	62	
1		22733-8	SCR, BHSC, SELF-LOCKING, 8-32 X .375	60	
1		2-22603-0	SCR, HEX HD CAP 8-32 X .312	59	
1		3-694433-2	FEED PAWL	56	
2		2-21002-2	SCR, BTN SKT HD CAP 8-32 X .500	54	
2		2-21000-7	SCR, SKT HD CAP 8-32 X .500	53	
1		21018-5	NUT, HEX, REG 6-32	52	
1		811242-2	BUMPER, HOLD DOWN	51	
1		690753-1	SPACER, TONKER	50	
1		1633399-1	APPL. BASIC AIR FEED SUB ASSY	46	
1		690191-1	PLUG, NYLON	45	
1		2-819307-4	RAM, SIDE FEED	44	
1		690125-1	SHIM SUB-ASSY	43	
1		690124-1	WASHER, RAM (.115)	42	
1		690686-2	CRIMPER, BOLT SPECIAL	41	
1		23241-6	BALL, STEEL	40	
1		690170-1	SPRING, COMPRESSION	39	
1		690142-1	DISC, INSULATION	38	
1		354777-1	WIRE DISC, ASSEMBLY	37	
1		22480-5	SPRING, COMPRESSION	36	
1		690212-1	POST, RAM	35	
1		3-690786-3	TERMINAL SUPPORT	34	
2		2-21002-2	SCR, BTN SKT HD CAP 8-32 X .500	33	
1		690432-3	ADJUSTMENT SCREW	32	
1		3-21000-4	SCR, SKT HD CAP 10-32 X .375	31	
1		5-455671-2	PLATE, STRIP GUIDE	29	
2		1-22284-0	SPRING, COMPRESSION	27	
1		690546-1	LEVER, DRAG RELEASE	26	
1		690754-7	DRAG, SPECIAL	25	
1		1-690440-9	GUIDE, REAR STRIP	24	
1		690712-9	FRONT STRIP GUIDE	23	
1		690472-2	STRIPPER	22	
1		2-21000-7	SCR, SKT HD CAP 8-32 X .500	21	
4		21024-4	WASHER, SPRG LOCK, REG NO 8	20	
-	-	1	691353-1	STRIPPER	19
1		853714-5	PLATE, REAR SHEAR	9	
1		1214596-5	ANVIL, SPECIAL COMBINATION	8	
1		1-240641-9	SPACER	7	
1		238009-1	BLOCK, FL CRIMPER SPACER	4	
1		3-456134-6	CRIMPER, INSULATION F PREMIUM	3	
1		853720-5	BLADE, SLUG	2	
1		2-456407-8	CRIMPER, WIRE PREMIUM	1	

DIMENSIONS: INCHES		TOLERANCES UNLESS OTHERWISE SPECIFIED:		DRAWN: C. REICHEL/DEFFER		DATE: 05OCT2007			
9 PLC	±	9 PLC	±	CHK: T. ELBIN	DATE: 05OCT2007	Tyco Electronics Harrisburg, PA 17105-3608			
1 PLC	±0.1	1 PLC	±0.01	APVD: T. BENCHOFF	NAME: T. BENCHOFF	PRODUCT SPEC: SIDE FEED HDM APPLICATOR			
3 PLC	±0.01	3 PLC	±0.001	APPLICATION SPEC: -		SIZE: A1		CAGE CODE: 00779	
4 PLC	±0.001	4 PLC	±0.0001	WEIGHT: -		SCALE: 3:5		SHEET: 1 OF 1	
ANGLES	±0.0001	FINISH: -		CUSTOMER DRAWING		REV: A1		REVISIONS:	

CUSTOMER VIEWABLE ASSEMBLY