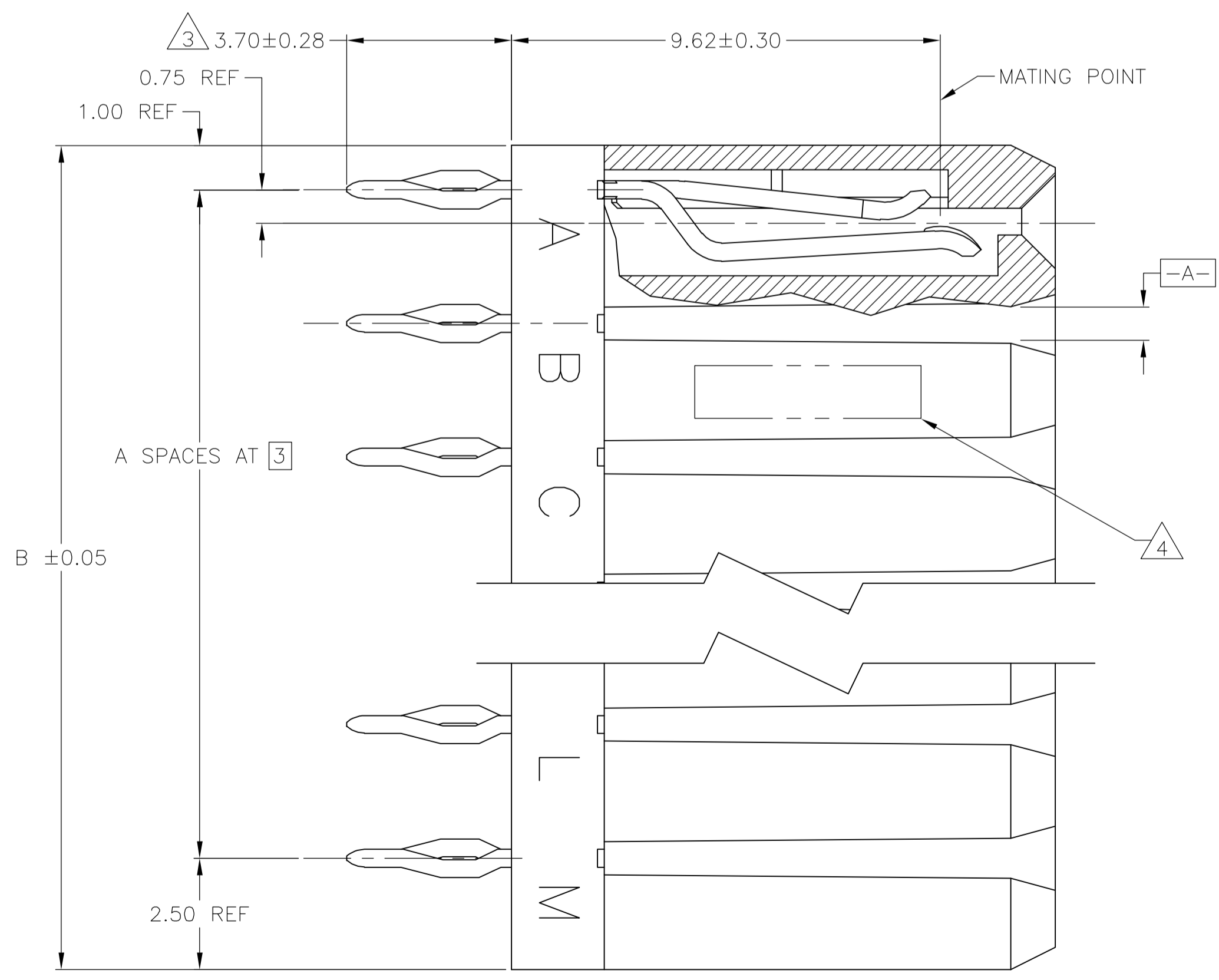
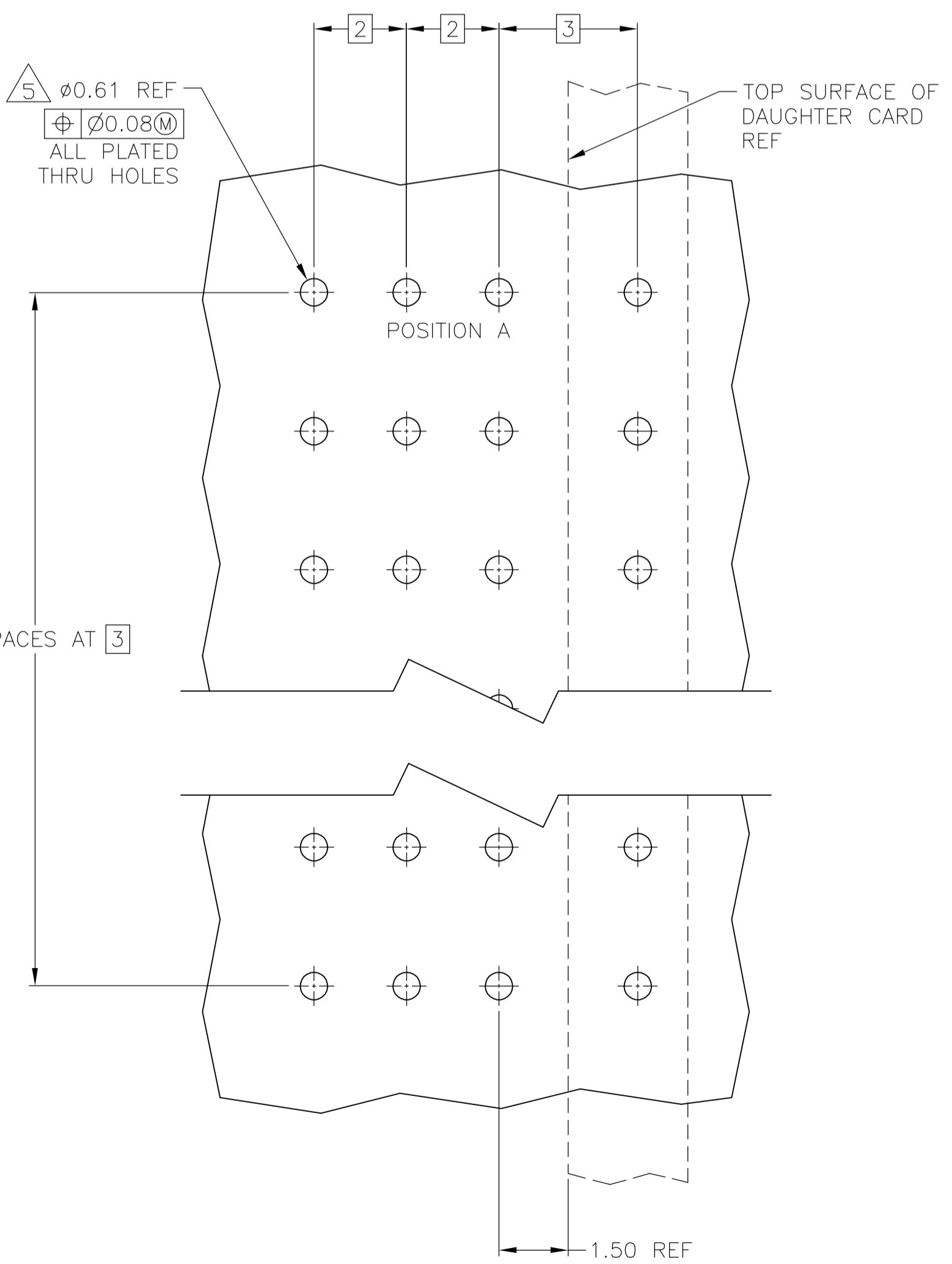
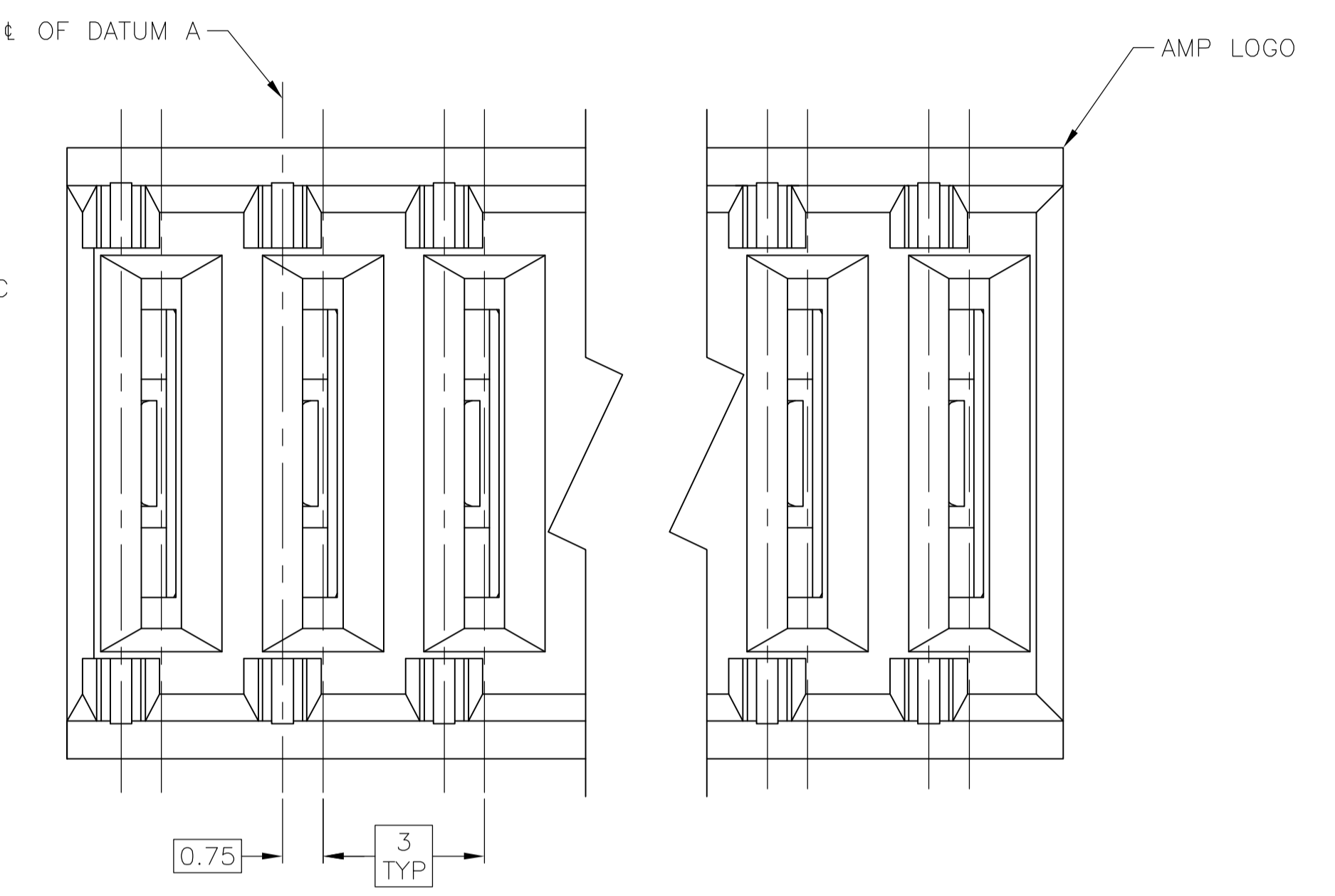
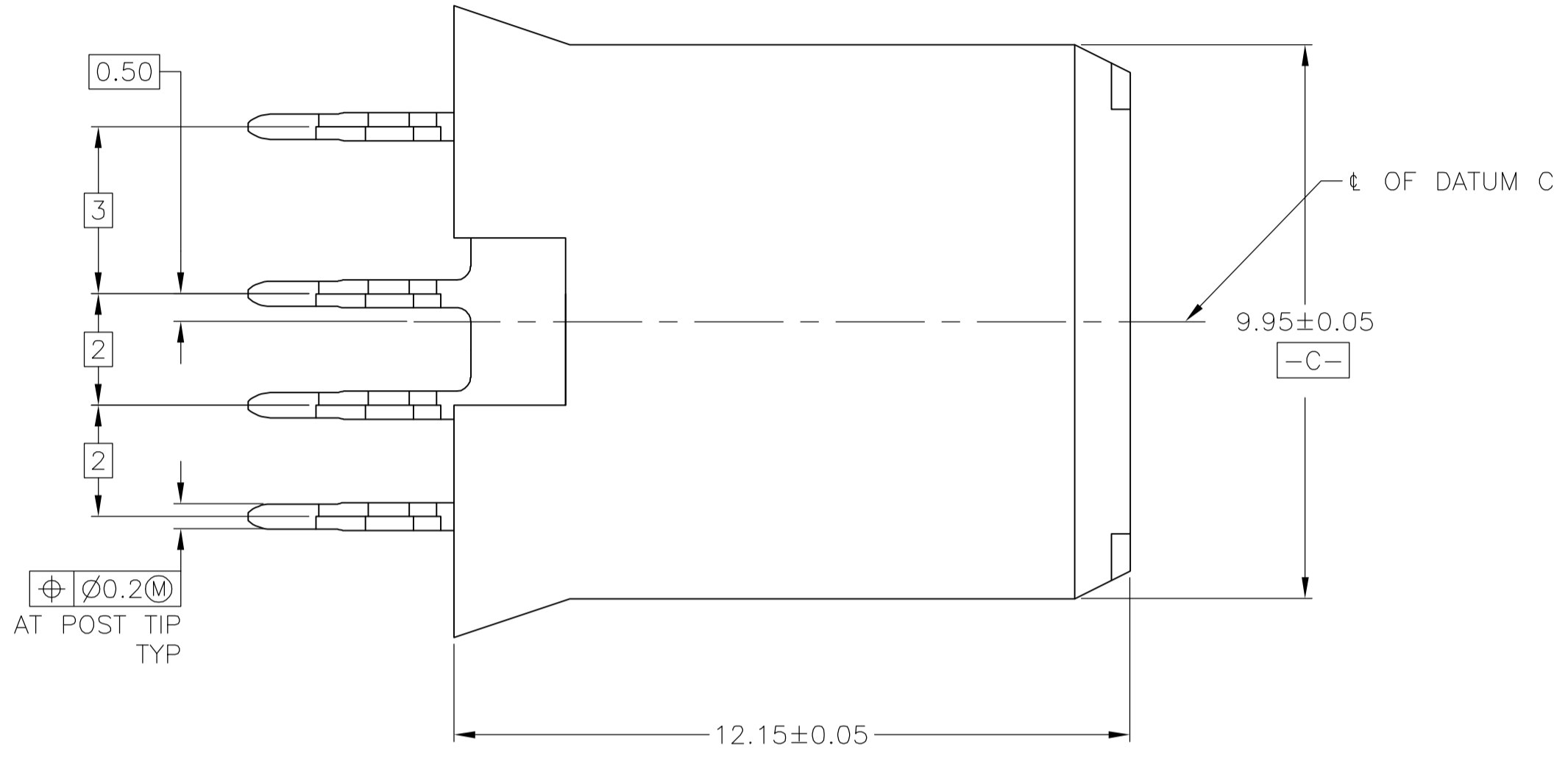
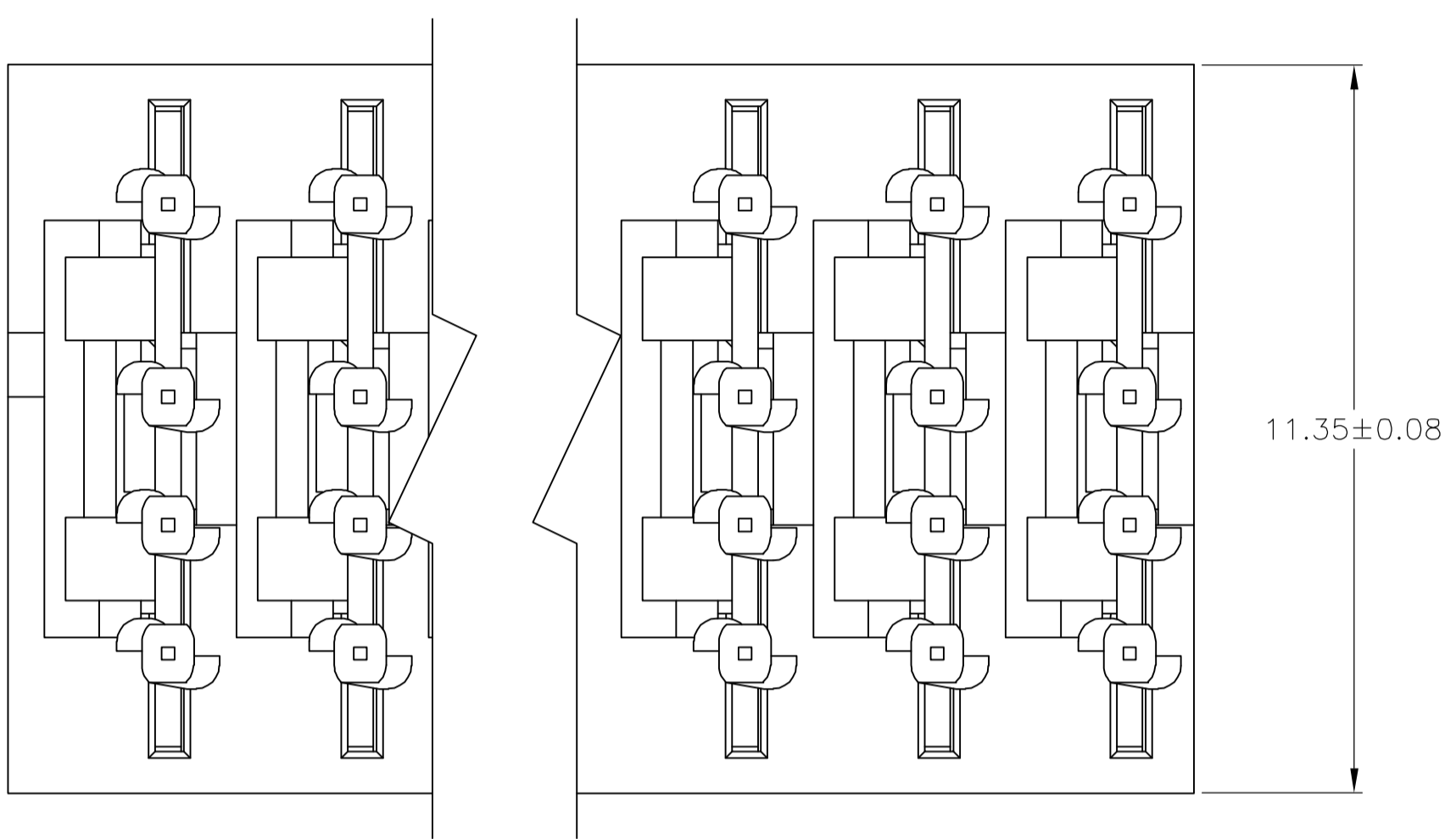


LOC		DIST		REVISIONS				
AD	00	REV	PER	ECO	NO	DATE	BY	APP'D
A2		REV	PER	ECO-07-002646		06MAR2007	BC	RP

- 1 MATERIAL: HOUSING : POLYESTER, GRAY, UL 94V-0.
CONTACT: HIGH CURRENT COPPER ALLOY.
- 2 FINISH: CONTACT MATING AREA: 1.27µm MIN GOLD OR 0.08µm MIN GOLD OVER
0.76µm MIN PALLADIUM-NICKEL.
ACTION PIN AREA, 0.5µm MIN TIN/LEAD PLATE,
ALL OVER 1.27µm MIN NICKEL UNDERPLATE.
- 3 DIMENSION APPLIES AFTER CONNECTOR IS APPLIED TO PC BOARD.
- 4 DATE CODE THIS APPROXIMATE AREA, OPPOSITE SIDE.
- 5 REFERENCE APPLICATION SPEC 114-1103 FOR RECOMMENDED
PLATED THRU HOLE DIAMETER AND PLATING THICKNESSES.
- 6. CURRENT RATING 16A/CONTACT PER PRODUCT SPEC 108-1651.



RECOMMENDED PCB HOLE LAYOUT

B	A	POSITION	PART NUMBER
36.5	11	12	120992-9
27.5	8	9	120992-6

THIS DRAWING IS A CONTROLLED DOCUMENT.

DIMENSIONS: mm	TOLERANCES UNLESS OTHERWISE SPECIFIED:	DIN 060CT06	tyco Electronics	Tyco Electronics Corporation Harrisburg, Pa 17105-3608
0 PLC ± -	1 PLC ± -	060CT06	NAME	RECEPTACLE ASSEMBLY, UNIVERSAL POWER MODULE
2 PLC ± ± 0.13	3 PLC ± ± -	060CT06	APPROVED	RESTRICTED TO
4 PLC ± ± -	ANGLES ± ± -		SIZE	CAGE CODE
MATERIAL	FINISH	WEIGHT	A1	00779
			SCALE	10:1
			SHEET	1 of 1
			REV	A2