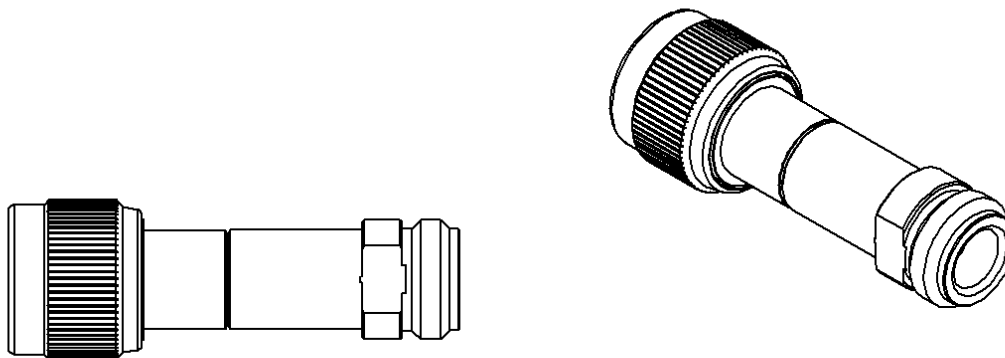
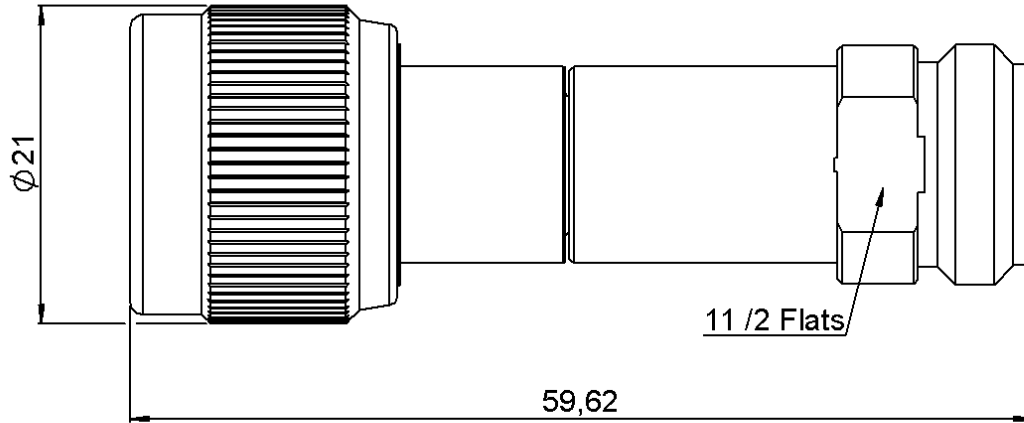


**N ATTENUATOR**  
**50 DB 12.4 GHZ 2W**

**R414.750.000**  
 Series : ATTENUATOR



SCALE 1:1

All dimensions are in mm.

COMPONENTS	MATERIALS	PLATING( $\mu\text{m}$ )
BODY	LAITON	NICKEL 5
MALE CENTER CONTACT	CUPRO BERYLLIUM	OR 2.5 SUR NICKEL 1
FEMALE CENTER CONTACT	CUPRO BERYLLIUM	OR 2.5 SUR NICKEL 1
OUTER CONTACT		
INSULATOR	PTFE	
GASKET	ELASTOMERE SILICONE	
SUBSTRATE	ALUMINE	
RESISTOR	ALUMINE	
OTHERS PARTS		

Issue : 0817 R

In the effort to improve our products, we reserve the right to make changes judged to be necessary.

**N ATTENUATOR**  
**50 DB 12.4 GHZ 2W**

**R414.750.000**  
Series : ATTENUATOR

**ELECTRICAL CHARACTERISTICS**

Frequency (GHz)	DC - 4	4 - 8	8 - 12.4
V.S.W.R (≤)	1.15	1.20	1.25
Deviation(±dB)	1.00	1.20	1.50

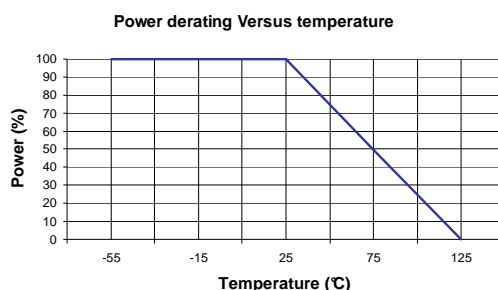
Operating Frequency Range	DC - 12.4	GHz
Impedance	50	Ω
Nominal Attenuation	50	dB
Peak power at 25°C (1μs, 1%)	100	W
Average power at 25°C	2	W (Free Air Cooled)
		W (Conduction Cooled)

**MECHANICAL CHARACTERISTICS**

Connectors	N	Male Female	MIL-C 39012
Weight	70,3300	g	

**ENVIRONMENTAL CHARACTERISTICS**

Operating temperature range	-55 /+125	°C
Storage temperature range	-55 /+125	°C



**SPECIFICATION**

**OTHER CHARACTERISTICS**

Issue : 0817 R

In the effort to improve our products, we reserve the right to make changes judged to be necessary.