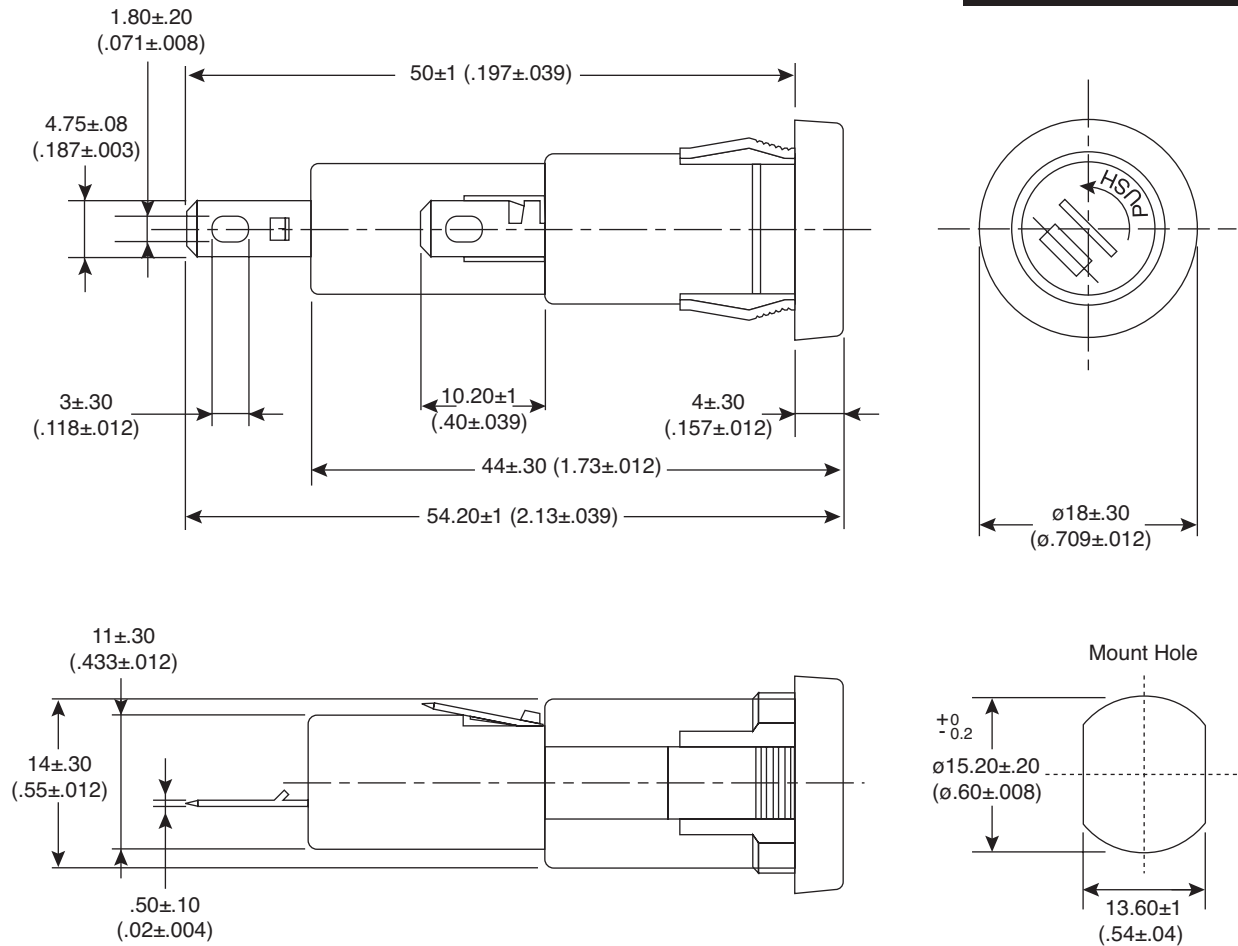


Date Last Revised: 3-5-07



Dimensions: mm (in.)

SPECIFICATIONS	
Rating:	10A/250V AC
Insulation Resistance:	500VDC 100MΩ min.
Dielectric Strength:	1500VAC 1 minute
Fuse:	ø6.35 x 31.8
Fuse Size:	1/4" x 1 1/4"
Panel Thickness:	.7mm ~ 2.5mm
Base & Cover:	Nylon
RoHS Compliant	

Available from Mouser Electronics
 1-800-346-6873 / www.mouser.com

EPD-200530