

# RED INDICATES ORIGINAL

DATA CONTAINED IN THIS DOCUMENT IS PROPRIETARY TO TROMPETER ELECTRONICS, INC. AND SHALL NOT BE DISCLOSED, COPIED OR USED FOR REPRODUCTION OR MANUFACTURE WITHOUT EXPRESS WRITTEN PERMISSION.

| REV |       | EQ | DESCRIPTION  | DWN | APPROVED    | DATE    |
|-----|-------|----|--|-----|-------------|---------|
| D   | 12435 |    | ADDED VIEW "SST ROPE & D LUG ASSY", -15 THRU -17 & DD8, NOTE A;<br>SEE ECD | DKC | <i>M.M.</i> | 7/24/98 |

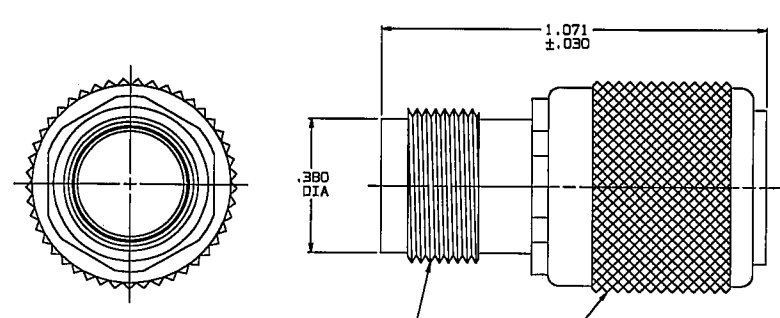
REVISIONS 105-1027 SH 1

| DASH NO | DESCRIPTION                                 |
|---------|---|
| -1      | CAP (NO CHAIN)                              |
| -2      | CAP WITH 2.50 BRASS CHAIN                   |
| -3      | CAP WITH 2.50 NYLON CHAIN                   |
| -4      | CAP WITH 3.00 BRASS CHAIN                   |
| -5      | CAP WITH 3.00 NYLON CHAIN                   |
| -6      | CAP WITH 6.00 BRASS CHAIN                   |
| -7      | CAP WITH 6.00 NYLON CHAIN                   |
| -8      | CAP WITH 4.00 BRASS CHAIN                   |
| -9      | CAP WITH 4.00 NYLON CHAIN                   |
| -10     | CAP WITH 10.00 BRASS CHAIN                  |
| -11     | CAP WITH 10.00 NYLON CHAIN                  |
| -12     | CAP WITH 2.50 JACKETED STAINLESS STEEL ROPE |
| -13     | CAP WITH 3.00 JACKETED STAINLESS STEEL ROPE |
| -14     | CAP WITH 6.00 JACKETED STAINLESS STEEL ROPE |
| -15     | CAP WITH 4.00 JACKETED STAINLESS STEEL ROPE |
| -16     | CAP WITH 7.00 JACKETED STAINLESS STEEL ROPE |
| -17     | CAP WITH 4.50 JACKETED STAINLESS STEEL ROPE |

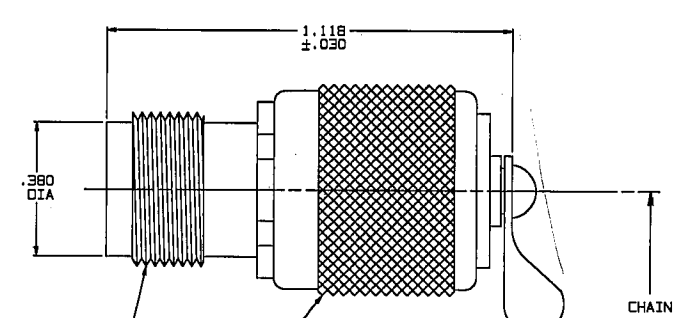
| MODEL NO | LTR CODE |
|----------|----------|
| RF141    |          |
| RF1377   | A        |

| DASH NO | "A" DIA | "B" DIA | "C" DIM | "D" DIA |
|---------|---------|---------|---------|---------|
| -02     | .630    | .750    | 1.068   | .450    |
| -03     | .505    | .625    | .941    | .388    |
| -04     | .439    | .562    | .878    | .355    |
| -05     | .380    | .500    | .816    | .325    |
| -06     | .317    | .437    | .753    | .295    |
| -07     | .281    | .406    | .722    | .278    |
| -08     | .610    | .750    | 1.068   | .450    |
| -09     | .567    | .687    | 1.003   | .419    |
| -DD8    | .330    | .450    | .925    | .300    |

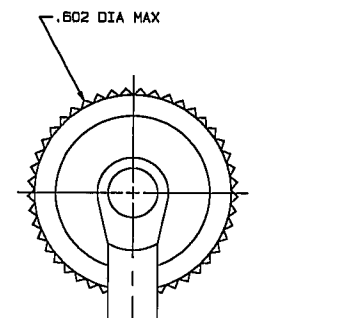
| INCH |      | MM   |       | INCH |       | MM   |       | INCH  |        | MM   |        | INCH |  | MM |  |
|------|------|------|-------|------|-------|------|-------|-------|--------|------|--------|------|--|----|--|
| .005 | 0.13 | .290 | 7.37  | .437 | 11.10 | .625 | 15.88 | 1.003 | 25.48  | 10.0 | 254.00 |      |  |    |  |
| .010 | 0.25 | .300 | 7.62  | .439 | 11.15 | .630 | 16.00 | 1.068 | 27.08  |      |        |      |  |    |  |
| .030 | 0.76 | .317 | 8.05  | .450 | 11.43 | .687 | 17.45 | 1.071 | 27.20  |      |        |      |  |    |  |
| .032 | 0.81 | .325 | 8.38  | .500 | 12.70 | .722 | 18.34 | 1.118 | 28.40  |      |        |      |  |    |  |
| .140 | 3.56 | .330 | 8.63  | .505 | 12.83 | .750 | 19.05 | 2.5   | 63.50  |      |        |      |  |    |  |
| .200 | 5.08 | .355 | 9.14  | .56  | 14.22 | .753 | 19.13 | 3.00  | 76.20  |      |        |      |  |    |  |
| .25  | 6.35 | .380 | 9.65  | .562 | 14.27 | .816 | 20.73 | 4.00  | 101.60 |      |        |      |  |    |  |
| .278 | 7.11 | .388 | 9.81  | .567 | 14.40 | .878 | 22.30 | 4.50  | 114.30 |      |        |      |  |    |  |
| .281 | 7.14 | .406 | 10.31 | .602 | 15.29 | .925 | 23.50 | 6.00  | 152.40 |      |        |      |  |    |  |
| .295 | 7.67 | .419 | 10.67 | .610 | 15.49 | .941 | 23.90 | 7.00  | 177.80 |      |        |      |  |    |  |



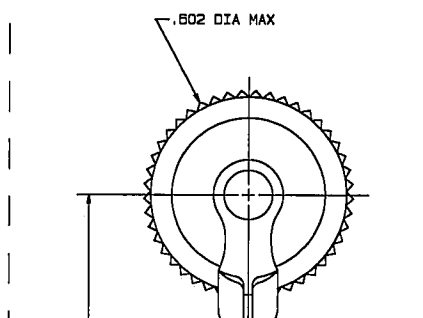
**-1 SHOWN**  
NO CHAIN/ROPE OR MOUNTING LUG



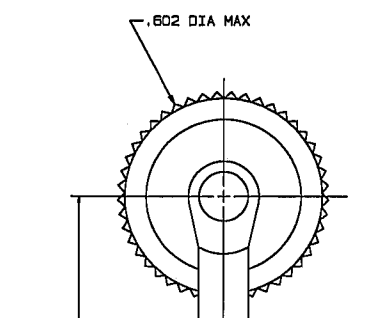
**-2 THRU -11 SHOWN**  
STANDARD CHAIN AND MOUNTING LUG



**-12-THRU -17-SHOWN**  
STAINLESS STEEL ROPE AND BASIC MOUNTING LUG



**-2-D2 THRU -11-DD8 SHOWN**  
STANDARD CHAIN AND BULKHEAD JACK MOUNTING LUG



**-12-D2 THRU -17-DD8 SHOWN**  
SST ROPE AND BULKHEAD JACK MOUNTING LUG

NOTE THAT CHAIN LENGTH FOR SST ROPE WITH MOUNTING LUG OPTION IS NOT MEASURED TO CENTER OF BULKHEAD MOUNTING LUG

4. EXAMPLE OF COMPLETE MODEL NO:  
RF141 - 1 - 02  
BASIC MODEL NO: RF141 (SEE TABLE 2)  
BULKHEAD JACK MOUNTING LUG (OPTIONAL) ONLY AVAILABLE WITH BRASS, NYLON CHAIN OR SST ROPE (SEE TABLE 3)  
CHAIN/ROPE MATERIAL & LENGTH (SEE TABLE 1)

3. THREADED TNC/TRT STYLE DUST CAP WITH CHAIN/ROPE OR MOUNTING LUG OPTIONS.

2. FINISH: TFS-1A (NICKEL)

1. ALL DIMENSIONS ARE IN INCHES

| QTY  | DESCRIPTION                 | PART NUMBER  | ITEM |
|------|-----------------------------|--------------|------|
|      | TROMPETER ELECTRONICS, INC. | RF141/RF1377 |      |
| DWN  | DKC                         | 6-9-98       |      |
| CHK  | MM                          | 6-2-98       |      |
| ENGR |                             |              |      |
| APPR | MM                          | 7/17/98      |      |

SCALE 4/1 DATE 10-2-80 SHEET 1 OF 2