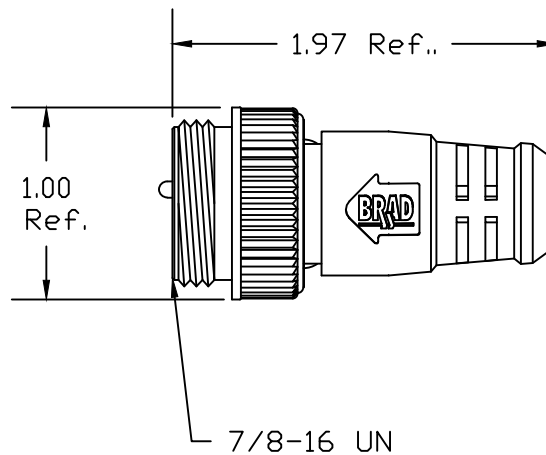
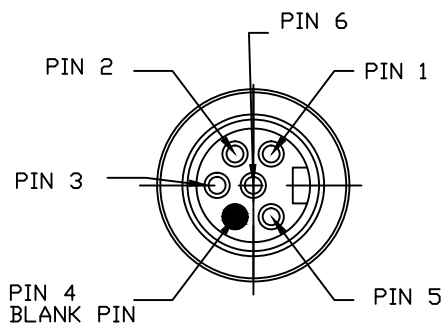


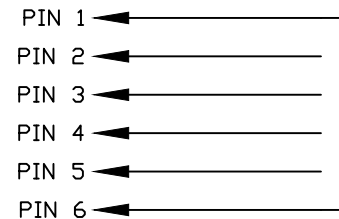
MATERIAL NUMBER	OLD PART NUMBER
130039-0358	41437-001

FACE VIEW-MALE INSERT



CONTACT:	BRASS, GOLD PLATED
INSERT:	PVC, YELLOW
COUPLING NUT:	ZINC DIE CAST, BLACK E-COATED
MOLDED BODY:	RITFLEX, RED

ELECTRICAL SCHEMATIC



INITIAL RELEASE EC NO: IPC2013-1910 DRWN: EBRACKEN 2013/06/20 CHKD: RSTONE APPR: BWOODMAN 2013/08/14	DESCRIPTION REV	QUALITY SYMBOLS	GENERAL TOLERANCES (UNLESS SPECIFIED) <table border="1"> <tr> <td></td> <td>mm</td> <td>INCH</td> </tr> <tr> <td>4 PLACES</td> <td>±---</td> <td>±---</td> </tr> <tr> <td>3 PLACES</td> <td>±---</td> <td>±.005</td> </tr> <tr> <td>2 PLACES</td> <td>±0.13</td> <td>±.010</td> </tr> <tr> <td>1 PLACE</td> <td>±0.25</td> <td>±.020</td> </tr> </table>		mm	INCH	4 PLACES	±---	±---	3 PLACES	±---	±.005	2 PLACES	±0.13	±.010	1 PLACE	±0.25	±.020	DIMENSION STYLE IN/MM	SCALE ---	DESIGN UNITS INCH	THIRD ANGLE PROJECTION
				mm	INCH																	
		4 PLACES		±---	±---																	
		3 PLACES		±---	±.005																	
2 PLACES	±0.13	±.010																				
1 PLACE	±0.25	±.020																				
▽=0 ∇=0	ANGULAR ±.5° DRAFT WHERE APPLICABLE MUST REMAIN WITHIN DIMENSIONS	DRAWN BY DATE EBRACKEN 2013/06/18 CHECKED BY DATE RSTONE --- APPROVED BY DATE BWOODMAN 2013/08/14	TITLE MINI-CHANGE 6 POLE MALE SPCL SHORTING PLUG PIN 1 AND 6 JUMPERED MOLEX INCORPORATED	MATERIAL NO.	DOCUMENT NO.	SHEET NO.																
A			SEE CHART		SD-130039-039	1 OF 1																
		SIZE A		THIS DRAWING CONTAINS INFORMATION THAT IS PROPRIETARY TO MOLEX INCORPORATED AND SHOULD NOT BE USED WITHOUT WRITTEN PERMISSION																		