

Description

Compact single pole thermal circuit breaker with push-to-reset, tease free, trip free, snap action mechanism and separate (colour coded) manual release. Combining full feature circuit breaker protection and convenience with low cost of ownership benefits. Fitted with blade terminals for plug-in mounting.

Type III to SAE J 553.

Version 1176 is available especially for the automotive industry (current ratings correspond to those of blade fuses).

Typical applications

Extra low voltage wiring systems on all types of vehicles and marine craft.

Ordering information

Type No.

1170 plug-in

Design standard

21 blade terminals for automotive fuse blocks (standard) with retaining clips, to DIN 72581, part 3

22 blade terminals for automotive fuse blocks, without retaining clips, to DIN 72581, part 3

Current ratings

3...25 A

1170 - 21 - 15 A ordering example

Please be informed that we have minimum ordering quantities to be observed.

Preferred types

Preferred types	Standard current ratings (A)										
	3	4	5	6	7.5	8	10	15	20	25	
1170-21-	x	x	x	x	x	x	x	x	x	x	x
1170-22-	x	x	x	x	x	x	x	x	x	x	x

Standard current ratings, typical voltage drop values and actuator colours (manual release)

Current rating (A)	Voltage drop (mV)	Actuator colour
3	< 300	violet
4	< 300	pink
5	< 300	light brown
6	< 150	mossy-green
7.5	< 150	brown
8	< 150	honey
10	< 150	red
15	< 150	blue
20	< 150	yellow
25	< 150	white



1170-...

Technical data

For further details please see: www.e-t-a.de/ti_e

Voltage rating (U_N)	DC 12 V / 24 V / 48 V			
Max. voltage (U_{smax})	DC 58 V			
Current ratings	3...25 A			
Typical life	at rated current:			
	U_N DC 24 V	3...25 A	6 000 operations	at $1 \times I_N$
	U_N DC 24 V	3...20 A	3 000 operations	at $2 \times I_N$
	U_N DC 24 V	25 A	1 000 operations	at $2 \times I_N$
	U_N DC 48 V	3...25 A	500 operations	at $1 \times I_N$
Ambient temperature	-40...85 °C (-40...+185 °F)			
Interrupting capacity I_{cn} to ISO10924	I_N	3...10 A	15 A	20 A
	U_N DC 24 V	400 A (0-C0-C0)		
	U_N DC 48 V	>100x at 75 A	>100x at 100 A	>100x at 135 A
Absolute breaking capacity to ISO 10924	≥ 1 break operation at 2 000 A (L/R = 2,5 ms)			
	Degree of protection (IEC 60529)			
Vibration	operating area IP40			
	terminal area IP00			
Shock	10 g (57-500 Hz) \pm 0.76 mm (10-57 Hz), to IEC 60068-2-6, test Fc, 10 frequency cycles/axis			
	50 g (11 ms), to IEC 60068-2-27, test Ea			
Corrosion	96 hours at 5 % salt mist, to IEC 60068-2-11, test Ka			
	Humidity			
Mass	240 hours at 95 % RH to IEC 60068-2-78, test Cab			
	approx. 10 g			

Dimensions

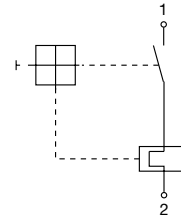
1170-21



1170-22



Internal connection diagram



Typical time/current characteristics at +23°C/73.4°F

3...25 A



The time/current characteristic curve depends on the ambient temperature prevailing. In order to eliminate nuisance tripping, please multiply the circuit breaker current ratings by the derating factor shown below. See also section Technical information.

Ambient temperature °F	-40	-22	-4	+14	+32	+50
Ambient temperature °C	-40	-30	-20	-10	0	+10
Derating factor	0,77	0,80	0,84	0,89	0,94	0,96
Ambient temperature °F	+73.4	+104	+122	+140	+158	+185
Ambient temperature °C	+23	+40	+50	+60	+70	+85
Derating factor	1	1,08	1,16	1,24	1,33	1,42

This is a metric design and millimeter dimensions take precedence ($\frac{\text{mm}}{\text{inch}}$)

Accessories

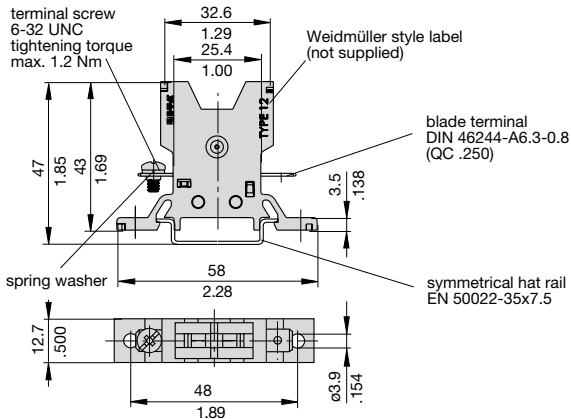
Socket 12-P10



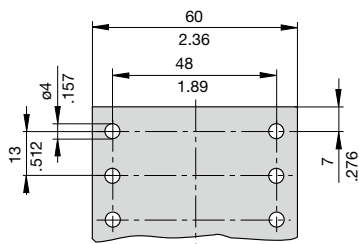
Socket 12-J20



Socket 12-A10



Dimensions for surface mounting



Other sockets available to special order
Labels: Weidmüller, D-33102 Paderborn

Ordering information Mounting socket 12

Type No.

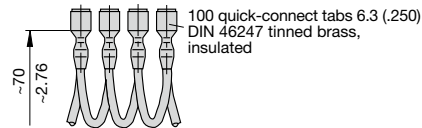
12	Mounting socket
Terminal design	
P10	blade terminals A6.3-0.8 (QC .250)
J20	screw terminals 6-32 UNC
A10	1 blade terminal A6.3-0.8 (QC .250)/1 screw terminal 6-32 UNC
Version	
(blank)	single socket
20	two-way
30	three-way
40	four-way
60	six-way

12 - P10 - 20 ordering example

Accessories for mounting socket 12

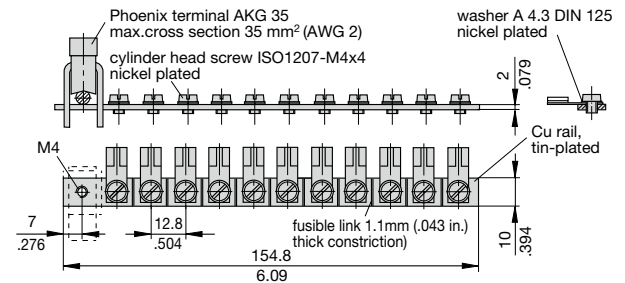
Connector bus links -P10

- X 210 588 01/ 1.5 mm² (AWG 16), brown (up to 13 A max. load)
- X 210 588 02/ 2.5 mm² (AWG 14), black (up to 20 A max. load)
- X 210 588 03/ 2.5 mm² (AWG 14), red (up to 20 A max. load)
- X 210 588 04/ 2.5 mm² (AWG 14), blue (up to 20 A max. load)



Bus bar (supplied as a complete package)
 (up to 100 A max. load)

- X 211 157 01 with terminal
- X 211 157 02 without terminal



This is a metric design and millimeter dimensions take precedence ($\frac{\text{mm}}{\text{inch}}$)

All dimensions without tolerances are for reference only. In the interest of improved design, performance and cost effectiveness the right to make changes in these specifications without notice is reserved. Product markings may not be exactly as the ordering codes. Errors and omissions excepted.