

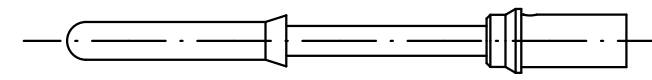
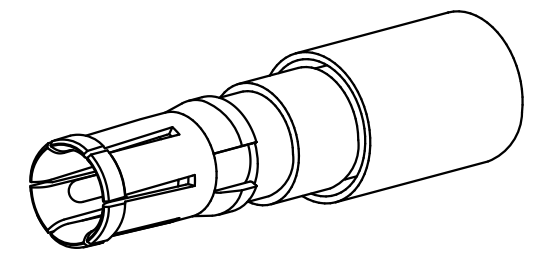
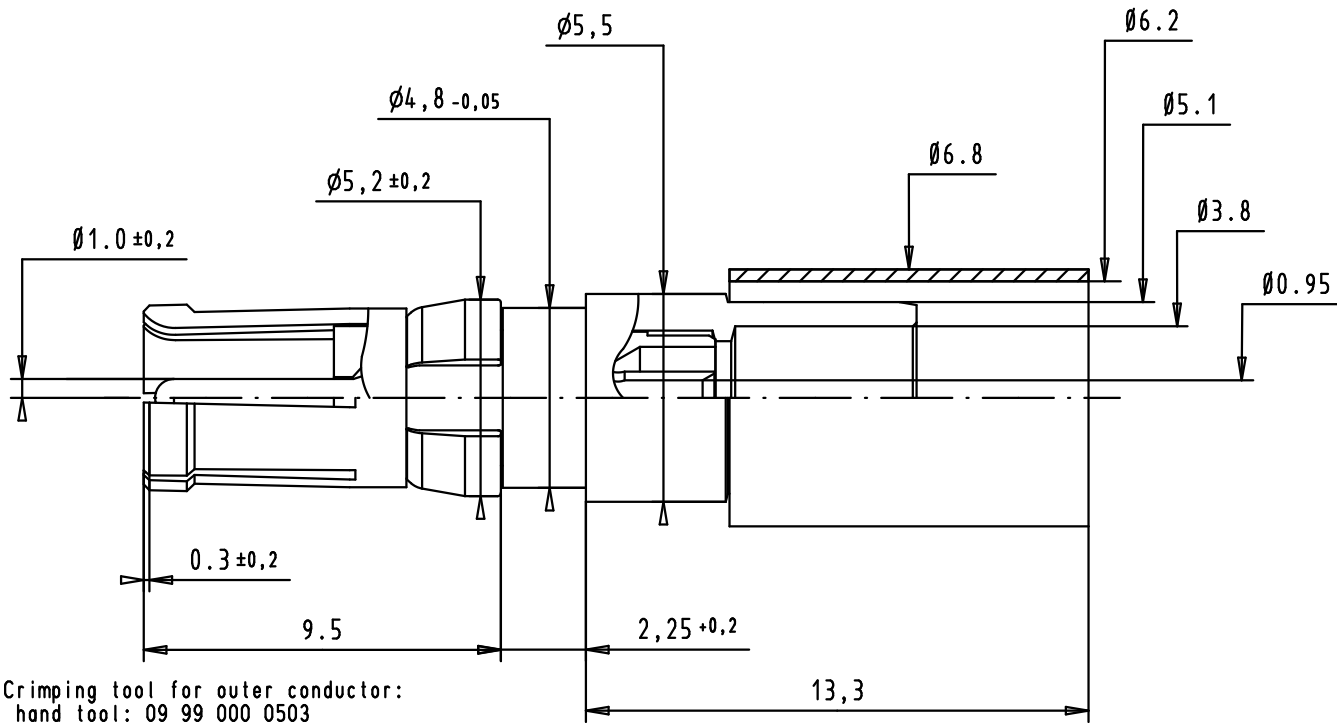
5

4

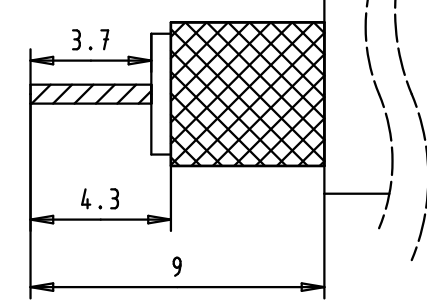
3

2

1



Cable trimming dimensions



Crimping tool for outer conductor:
hand tool: 09 99 000 0503
die: 09 99 000 0508 cavity A

Crimping tool for inner conductor:
hand tool: 09 99 000 0501
locator: 09 99 000 0507

with cables:	AWG 24
tool selections:	5

A

09691827232	Mating area	0,2 μm Au
	Termination area	5 μm Sn
09691825232	Mating area	0,8 μm Au
	Termination area	0,2 μm Au
Part Number	Outer conductor plating	



All Dimensions in mm
Original Size DIN A 4

Techn. Character.		
	Dat.	Name
Detail.	16-09-11	SD
Insp.	16-09-11	BD
Stand.		
36300	16-09-11	SD
Mod.	Dat.	Name
HARTING EURL F-95972 Paris		



Nicht tolerierte Maße/ Free size tolerances	
female coaxial contact 75 ohms cable terminations for d-sub, inner and outer conductors	
TB 09 69 182 x232	Blatt/ page 1/1
Sub.	