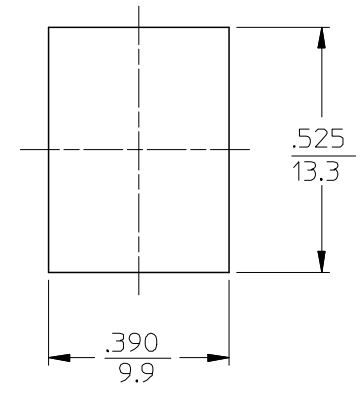
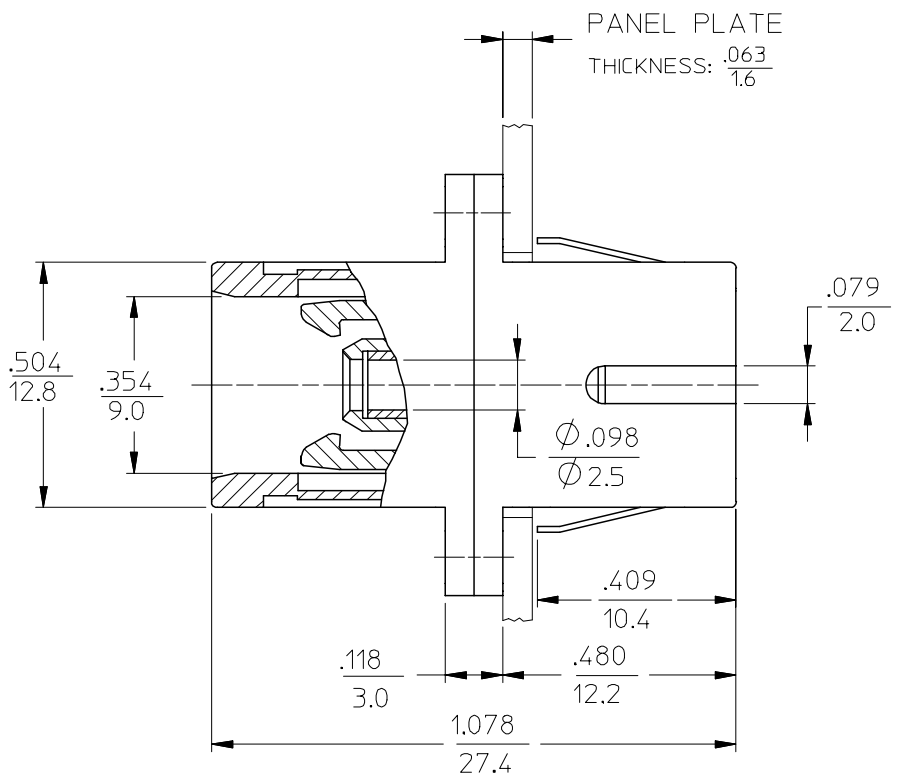
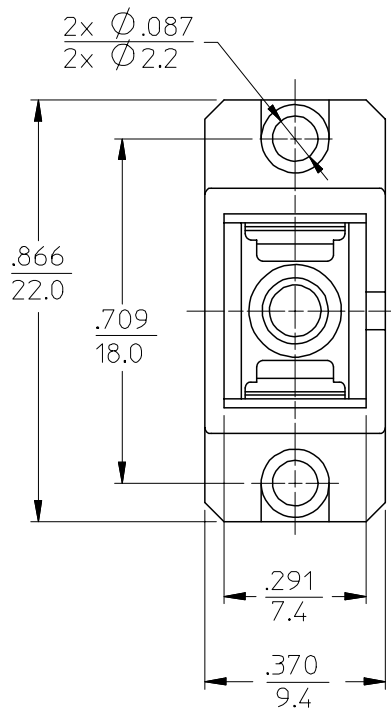


10 9 8 7 6 5 4 3 2 106160

ADAPTER P/N	SPRING LEVER COLOR	MATERIAL OF SLEEVE	SHELL COLOR
106160-0000	BLUE	PHOSPHOR BRONZE Zr,	BLUE
106161-0000		LOW COST	
106160-0100*			
106160-1000	BLACK	PHOSPHOR BRONZE Zr	RED
106161-1000			
106160-2000		PHOSPHOR BRONZE Zr	BLACK
106161-2000			
106160-3000	BLUE	PHOSPHOR BRONZE Zr,	GREEN
106160-3100*		LOW COST	
106161-3000			
106161-3100*			
106160-5000	BLACK	PHOSPHOR BRONZE Zr	BEIGE
106161-5000			



RECOMMENDED MOUNTING HOLE

- NOTES:
- DUST CAPS ARE NOT SHOWN BUT INCLUDED.
 - *2. P/Ns 106160-3100, 106161-0100 AND 106161-3100 ARE BULK PACKED IN QUANTITIES OF 100 pcs.
 - ALL MATERIALS USED IN ADAPTER MEET UL94 V-0.

ENTER DESCRIPTION EC NO: MF2007-0737 DRWN:KPEVNER CHKD: APPR:IGUMIN 2007/05/30 2007/05/30 2007/05/30	QUALITY SYMBOLS	GENERAL TOLERANCES (UNLESS SPECIFIED)	DIMENSION STYLE	SCALE	DESIGN UNITS	THIRD ANGLE PROJECTION	
	$\nabla=0$ $\nabla=0$	4 PLACES ± --- ± --- 3 PLACES ± --- ± --- 2 PLACES ± --- ± --- 1 PLACE ± --- ± --- ANGULAR ±1/2°	IN/MM	4:1	INCH		
			DRAWN BY: RPACIFICI CHECKED BY: APPROVED BY:	DATE: 2005/12/22 DATE: DATE:	TITLE: SC TYPE ADAPTER		
	REV: B2		DRAFT WHERE APPLICABLE MUST REMAIN WITHIN DIMENSIONS	MATERIAL NO.: SEE TABLE SIZE: B	DOCUMENT NO.: SD-10616X-X000	MOLEX INCORPORATED SHEET NO.: 1 OF 01	

9 8 7 6 5 4 3 2 1