

THIS DRAWING IS UNPUBLISHED.

RELEASED FOR PUBLICATION

2011

LOC

DIST

REVISIONS

© COPYRIGHT 2011 BY - ALL RIGHTS RESERVED.

P	LTR	DESCRIPTION	DATE	DWN	APVD
	E	UPDATED	12DEC2012	MZ	JC
	F	PARTS -1, -2, -3 RELEASED FOR PRODUCTION	27JUN2013	KR	JC
	FI	REVISED PART NUMBERS	17JUL2017	SK	MZ

NOTES:

- 1) MATERIAL: POLYAMIDE GLASS FILLED
COLOUR NATURAL
- 2) PACKAGING: SEE TE PACKAGING SPECIFICATION
107-20294

3 N CODE

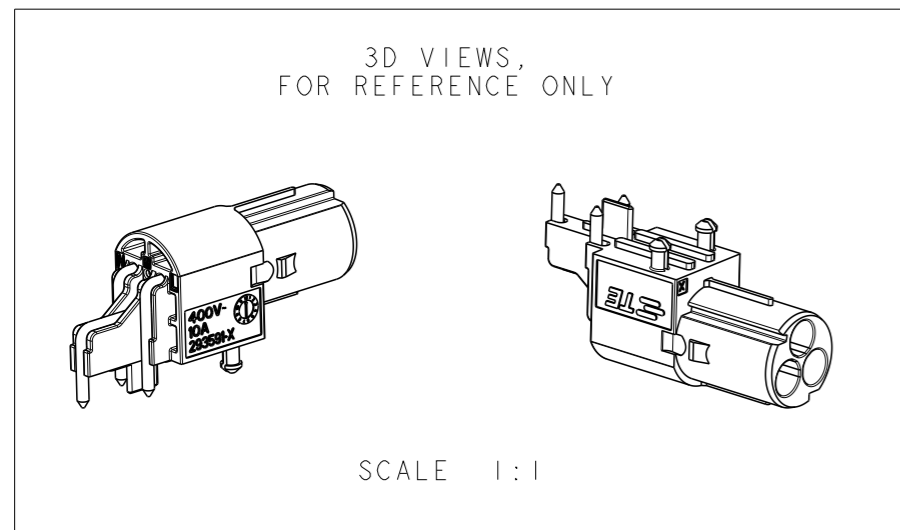
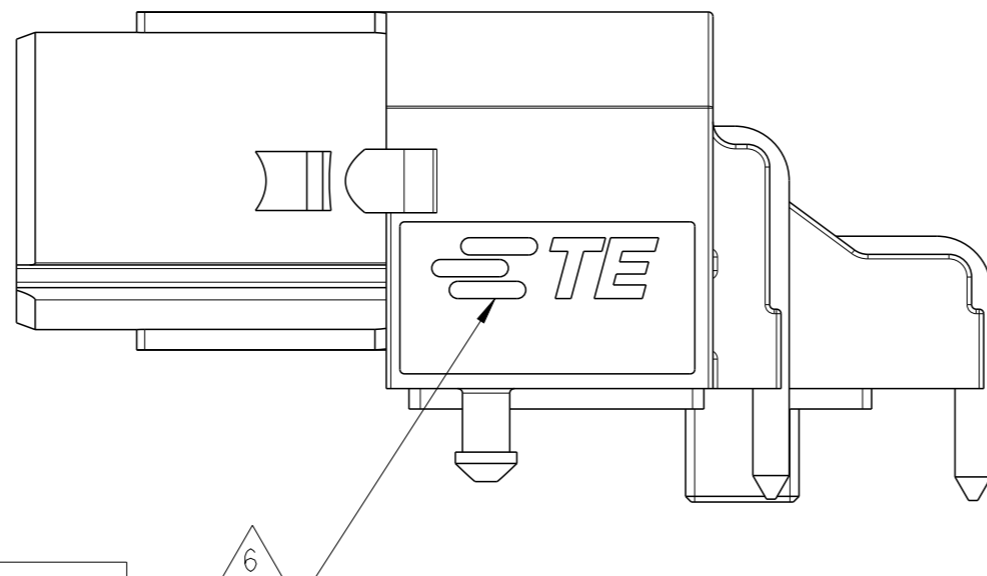
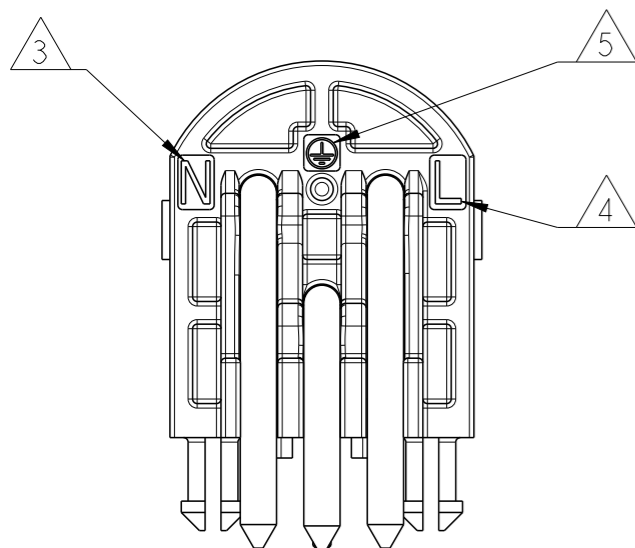
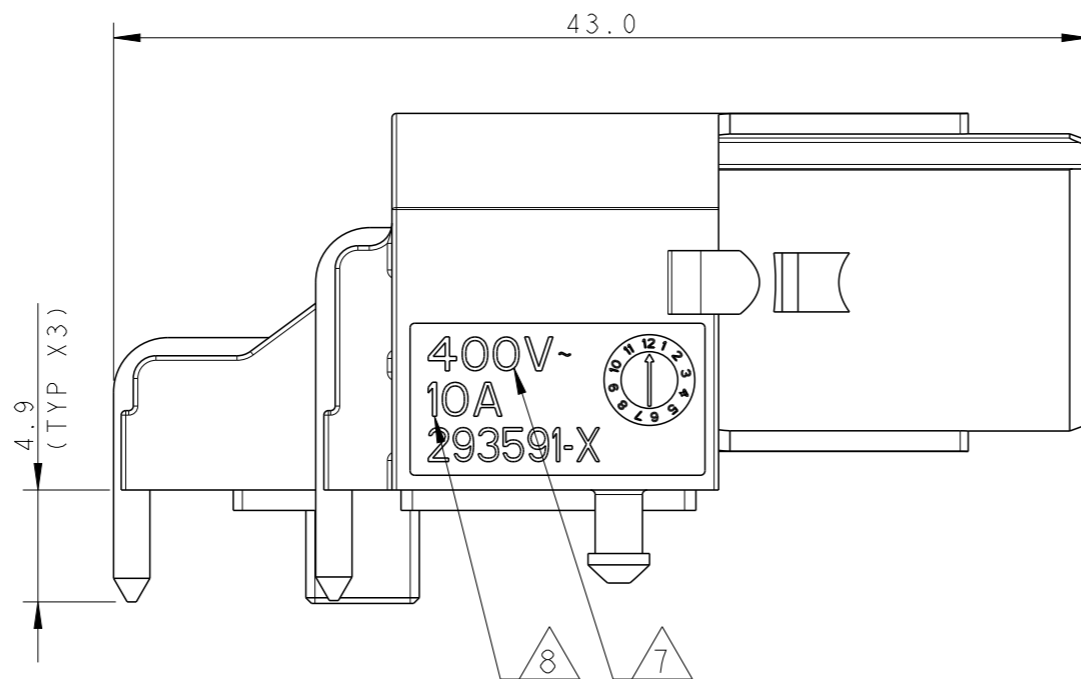
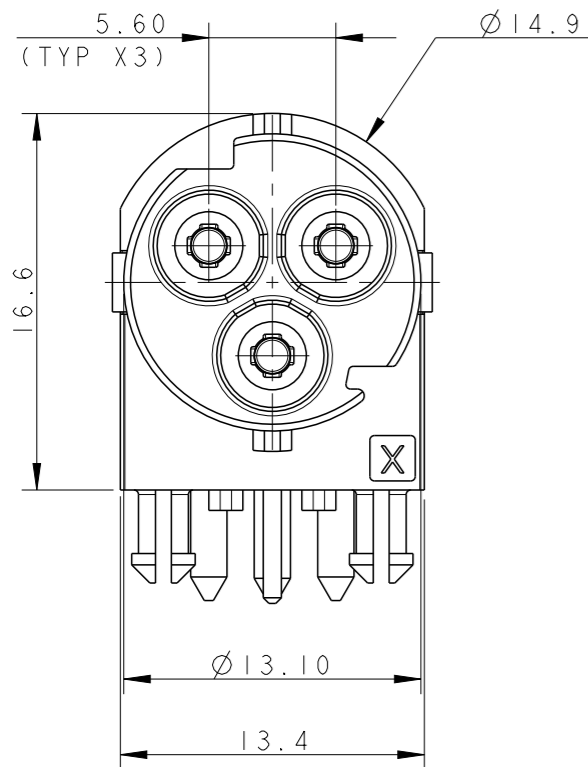
4 L CODE

5 PE CODE

6 TE LOGO

7 RATED VOLTAGE

8 RATED CURRENT



NATURAL	D	PIN CONNECTOR PCB 90 DEG NECTOR* M-LINE	I	293593-4
NATURAL	C	PIN CONNECTOR PCB 90 DEG NECTOR* M-LINE	F	293593-3
NATURAL	B	PIN CONNECTOR PCB 90 DEG NECTOR* M-LINE	F	293593-2
NATURAL	A	PIN CONNECTOR PCB 90 DEG NECTOR* M-LINE	F	293593-1
COLOUR	POL. KEYING	DESCRIPTION	REV.	PART NUMBER

THIS DRAWING IS A CONTROLLED DOCUMENT.

DIMENSIONS:	TOLERANCES UNLESS OTHERWISE SPECIFIED:
mm	
	0 PLC ±-
	1 PLC ±0.3
	2 PLC ±0.20
	3 PLC ±-
	4 PLC ±-
	ANGLES ±3°
MATERIAL	FINISH
-	-

DWN	M. ZUCCA	30OCT2009
CHK	M. ZUCCA	30OCT2009
APVD	G. TURCO	30OCT2009
PRODUCT SPEC	108-20304	
APPLICATION SPEC	114-20152	
WEIGHT	-	

TE Connectivity		NAME	
		PIN CONNECTOR PCB STRAIGHT VERSION NECTOR* M-LINE	
SIZE	CAGE CODE	DRAWING NO	RESTRICTED TO
A300779	C-293593		-

THIS DRAWING IS UNPUBLISHED.

RELEASED FOR PUBLICATION

2011

© COPYRIGHT 2011 BY -

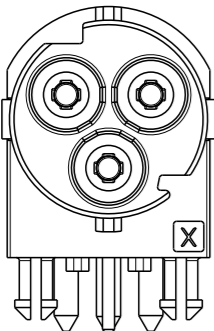
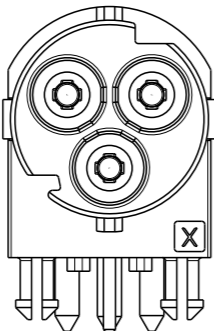
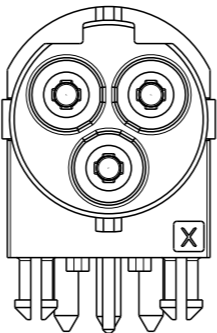
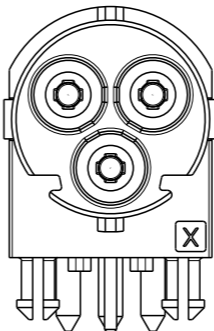
ALL RIGHTS RESERVED.

LOC 1 DIST -

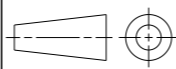
REVISIONS

P	LTR	DESCRIPTION	DATE	DWN	APVD
-	-	SEE SHEET 1	-	-	-

POLARIZATION KEYS

TYPE "A"	TYPE "B"	TYPE "C"	TYPE "D"
P/N 293593-1 AS SHOWN	P/N 293593-2 AS SHOWN	P/N 293593-3 AS SHOWN	P/N 293593-4 AS SHOWN
			

THIS DRAWING IS A CONTROLLED DOCUMENT.

DIMENSIONS: mm	TOLERANCES UNLESS OTHERWISE SPECIFIED:
	0 PLC ±-
	1 PLC ±0.3
	2 PLC ±0.20
	3 PLC ±-
	4 PLC ±-
	ANGLES ±3°
MATERIAL -	FINISH -

DWN M. ZUCCA	30OCT2009
CHK M. ZUCCA	30OCT2009
APVD G. TURCO	30OCT2009
PRODUCT SPEC	108-20304
APPLICATION SPEC	114-20152
WEIGHT	-

STE TE Connectivity

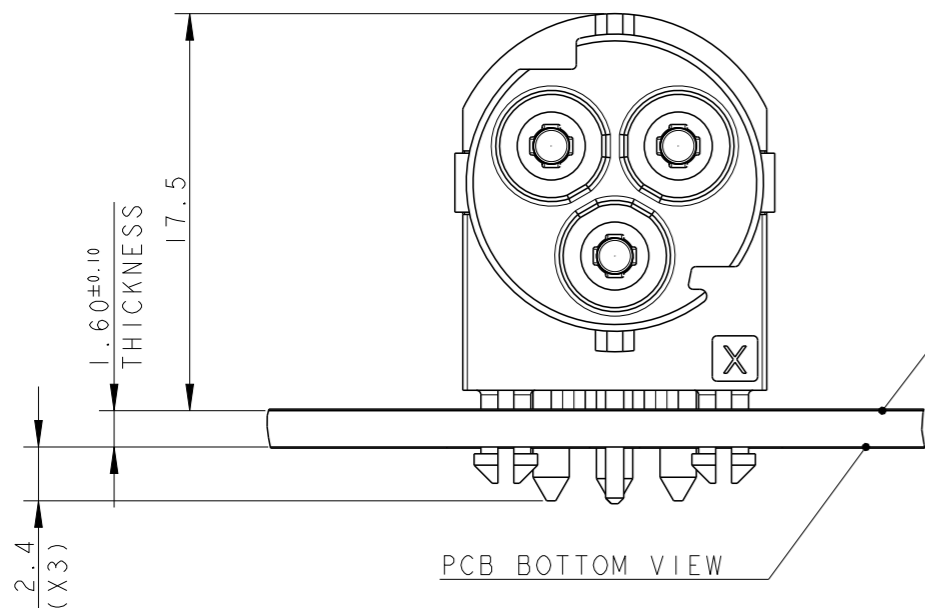
NAME
PIN CONNECTOR
PCB STRAIGHT VERSION
NECTOR* M-LINE

SIZE	CAGE CODE	DRAWING NO	RESTRICTED TO
A3	00779	C-293593	-

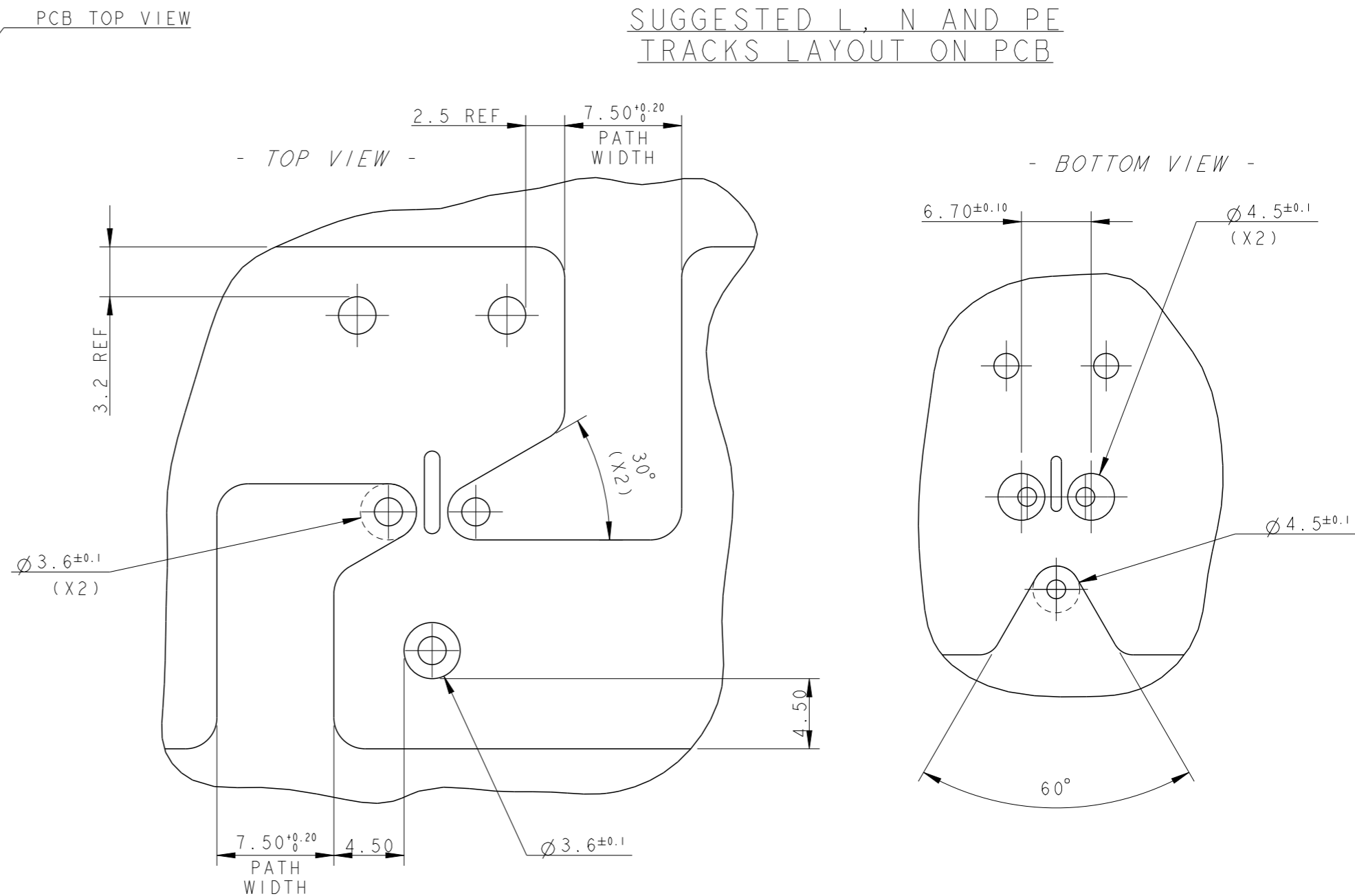
Customer Drawing SCALE 2:1 SHEET 2 OF 3 REV F1

THIS DRAWING IS UNPUBLISHED. RELEASED FOR PUBLICATION 2011
 © COPYRIGHT 2011 BY - ALL RIGHTS RESERVED.

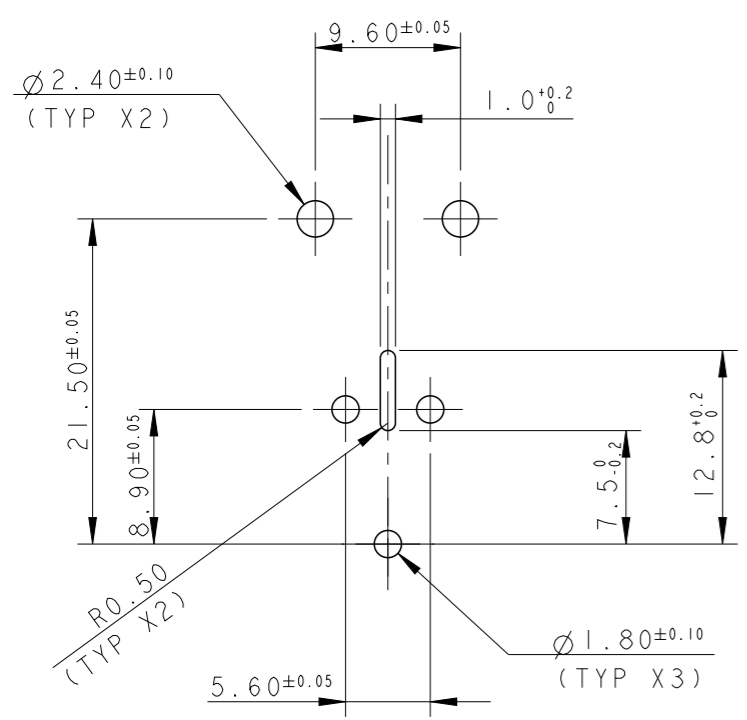
LOC	DIST	REVISIONS			
P	LTR	DESCRIPTION	DATE	DWN	APVD
		SEE SHEET 1	-	-	-



SUGGESTED L, N AND PE TRACKS LAYOUT ON PCB



SUGGESTED PCB LAYOUT CUT-OUT



SCALE 2:1

THIS DRAWING IS A CONTROLLED DOCUMENT.		DWN M. ZUCCA	30OCT2009	STE TE Connectivity
DIMENSIONS: mm		CHK M. ZUCCA	30OCT2009	
TOLERANCES UNLESS OTHERWISE SPECIFIED:		APVD G. TURCO	30OCT2009	NAME PIN CONNECTOR PCB STRAIGHT VERSION NECTOR* M-LINE
0 PLC ±-		PRODUCT SPEC	108-20304	
1 PLC ±0.3		APPLICATION SPEC	114-20152	SIZE A300779
2 PLC ±0.20		WEIGHT	-	CAGE CODE C-293593
3 PLC ±-		Customer Drawing		DRAWING NO
4 PLC ±-		SCALE 3:1		RESTRICTED TO
ANGLES ±3°		SHEET 3 OF 3		REV F1
FINISH -				