

ITEM	Q'TY	PART NUMBER	PART DESCRIPTION
1	1	FLPR2-XX	Flexible Light Pipe 2mm Adapter, Right Angle w/ LED, See page 2
2	1	FLP25-XX.X	Flexible Light Pipe Lens Cap Assembly, 2mm

REV.	DESCRIPTION	DATE	APPROVED
A	Engineering Release	09/14/09	T. Y.
B	Replaced 3UWC-0.6K-F with 3UWC1.035C-F	04/26/12	T. Y.
C	Updated Table For Length "L"	11/16/12	T. Y.
D	Updated LED Optical Characteristics	09/15/15	J. C.
E	Updated LED Tables	08/15/18	M. C.
F	Updated LED Tables	11/13/18	M. C.

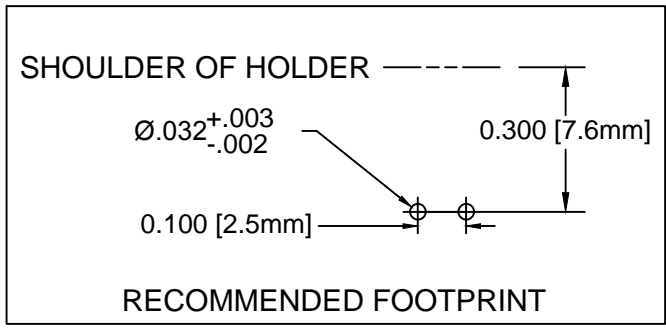
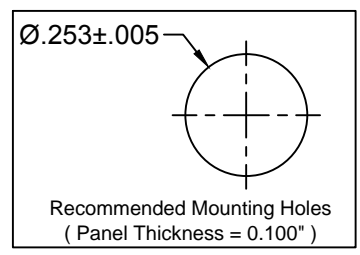
NOTE: FLPR2-XX ADAPTER SHIPPED NON-ASSEMBLED



TABLE 1

" L " *	Tolerance
1.0" ~ 16.0"	±0.050"
16.1" ~ 40.0"	±0.15"
40.1" ~ 80.0"	±0.30"
80.1" ~ 3,940.0"	±0.5%

* Available in 0.1" increments only



SHORT LEAD CATHODE	LED PART NO.	LONG LEAD CATHODE
RED	3xBCC-F	GREEN
YELLOW	3BC-Y/G-F	GREEN

ABSOLUTE MAXIMUM RATINGS (Ta=25°C)

REVERSE VOLTAGE	5V
REVERSE CURRENT	100uA
OPERATING TEMPERATURE RANGE	-25° C - 85° C
STORAGE TEMPERATURE	-30° C - 100° C
LEAD SOLDERING TEMPERATURE(1/16" FROM BODY)	260° C FOR 5 SECONDS

STANDARD TOLERANCE (UNLESS OTHERWISE SPECIFIED)		 BIVAR [®] 4 THOMAS, IRVINE, CA. 92618 TEL: (949) 951-8808 FAX: (949) 951-3974			
DECIMALS	ANGULAR				
.X ±.1	X° ±1°	 TITLE: FLEXIBLE LIGHT PIPE ASSY, 7mm ROUND, RIGHT ANGLE			
.XX ±.02					
.XXX ±.010		DESIGNED: B. OLIVER	DATE: 09/14/09	PART NO: FLP25RX.X-XX	REVISION: F
REVISED: K. BARON		DATE: 11/13/18	CAGE CODE: 32559		
CHECKED: TD. NGUYEN		DATE: 11/13/18	SCALE: NONE	SHEET # 1 OF 3	
CAD GENERATED DOCUMENT, DO NOT MEASURE DRAWING					

FLEXIBLE LP ASSY Part No.	ADAPTER Part No.	LED Part No.	Peak Wave Length	Emitted Color	Electro-Optical Data @ 20mA		
			λ_p (nm)		Vf (V)		Iv (mcd)
					TYP	MAX	TYP
FLP25RX.X-SG	FLPR2-SG	3SGC-F	568	SUPER GREEN	2.1	2.8	50
FLP25RX.X-SY	FLPR2-SY	3SYC-F	590	SUPER YELLOW	2.0	2.8	50
FLP25RX.X-SR	FLPR2-SR	3SRC-F	645	SUPER RED	1.7	2.4	60
FLP25RX.X-UBW	FLPR2-UBW	3UBWC-0.6K-F	470	BLUE	4.0	4.5	400
FLP25RX.X-UT	FLPR2-UT	3UTC-F	500	TURQUOISE	3.5	4.0	800
FLP25RX.X-UG	FLPR2-UG	3UGC-F	570	GREEN	2.1	2.4	200
FLP25RX.X-SUG	FLPR2-SUG	3SUGC-F	570	GREEN	2.1	2.4	300
FLP25RX.X-UY	FLPR2-UY	3UYC-F	590	YELLOW	2.0	2.4	300
FLP25RX.X-UR	FLPR2-UR	3URC-F	645	RED	1.7	2.4	200
FLP25RX.X-SUR	FLPR2-SUR	3SURC-F	640	RED	1.8	2.4	200
FLP25RX.X-UW	FLPR2-UW	3UWC1.035C-F	-	WHITE	3.2	3.6	6000

VISIT WWW.BIVAR.COM FOR CURRENT LED DATASHEETS
LED DETAILS ON DATASHEETS TAKE PRECEDENCE OVER DETAILS SHOWN HERE

FLEXIBLE LIGHT PIPE SERIES

FLP25R X.X - XXX

Emitted Colors

"L" LENGTH, inches
available in 0.1" increments only
e.g. 6.0, 11.5

FLEXIBLE LP ASSY Part No.	Adapter Part No.	LED Part No.	Peak Wave Length λ_p (nm)	Emitted Color	Electro-Optical Data @ 20mA		
					Vf (V)		Iv (mcd)
					TYP	MAX	TYP
FLP25RX.X-BC	FLPR2-BC	3BCC-F	625	HE RED	2.0	2.8	8
			568	GREEN	2.1	2.8	8
FLP25RX.X-SBC	FLPR2-SBC	3SBCC-F	645	SUPER RED	1.7	2.4	100
			568	HE GREEN	2.1	2.8	60

VISIT WWW.BIVAR.COM FOR CURRENT LED DATASHEETS
 LED DETAILS ON DATASHEETS TAKE PRECEDENCE OVER DETAILS SHOWN HERE

FLEXIBLE LIGHT PIPE SERIES — FLP25R X.X - XXX

Emitted Colors

"L" LENGTH, inches
available in 0.1" increments only
e.g. 6.0, 11.5