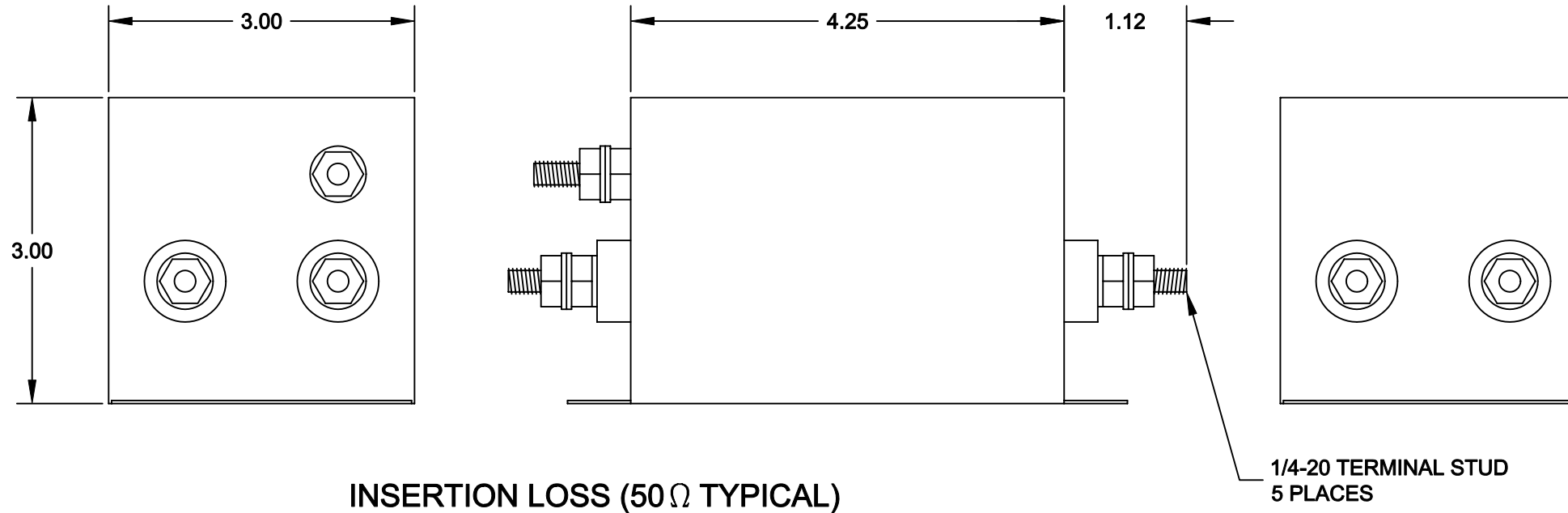
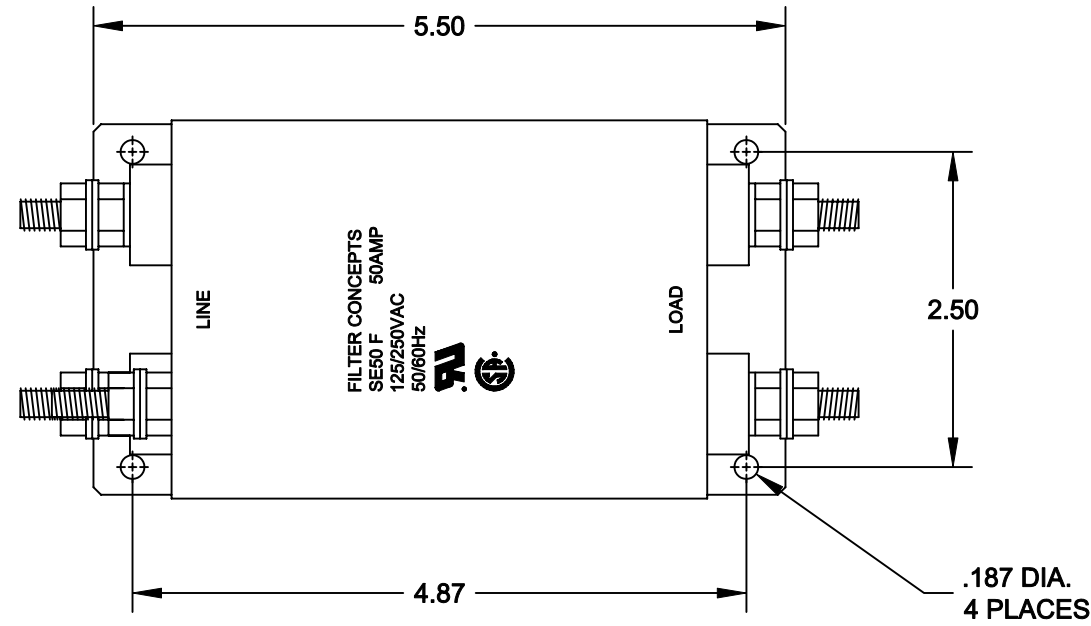


# SPECIFICATIONS

1. CASE:  
22 GA. (.030) CRS, TIN PLATED
2. RATED CURRENT:  
50A
3. RATED VOLTAGE:  
250VAC, 50/60Hz
4. TEST VOLTAGE:  
LINE TO LINE: 1.7KVDC  
LINE TO GROUND: 2.2KVDC
5. LEAKAGE CURRENT:  
1.4mA @ 250VAC, 50Hz

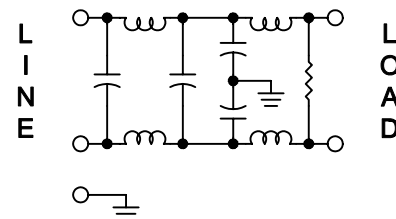
REVISION			
LTR	DESCRIPTION	DATE	APPROVED
A	INITIAL RELEASE	09-14-04	LE



## INSERTION LOSS (50Ω TYPICAL)

	.05 MHz	.15 MHz	.50 MHz	1.5 MHz	5.0 MHz	20 MHz
L/L	7 db	15 db	50 db	60 db	55 db	50 db
L/G	7 db	15 db	50 db	65 db	65 db	55 db

## SCHEMATIC



NEXT ASSY	USED ON
APPLICATION	

UNLESS OTHERWISE SPECIFIED DIMENSIONS ARE INCHES TOLERANCES ARE: FRACTIONS DECIMALS ANGLES ± .XX ±.030 ± .XXX ±.010	CONTRACT NO.	
	APPROVALS	DATE
MATERIAL	DRAWN	10-03-02
	CHECKED	09-14-04
FINISH		

<b>FILTER CONCEPTS INC.</b>		
<b>APPLICATION DRAWING</b>		
<b>SE50 F FILTER</b>		
SIZE	CODE IDENT NO.	DRAWING NO.
<b>B</b>		<b>7634</b>
SCALE	2/3	SHEET 1 OF 1