

Dual Negative Voltage Ideal Diode-OR Controller and Monitor

FEATURES

- Controls N-Channel MOSFETs to Replace Power Schottky Diodes
- Low 15mV Forward Voltage Minimizes Dissipation
- Withstands > ±300V Transients
- Fast Turn-Off: <220ns
- Shunt Regulated for High Voltage Applications
- 4.5V Minimum Operation
- Low 350µA Quiescent Current
- 5mA Gate Pull-Up for 60Hz Applications
- High Impedance Drain Pins: <10µA Leakage
- Open Fuse and MOSFET Monitor
- 10-Pin (3mm × 3mm) DFN and MSOP Packages

APPLICATIONS

- -48V Telecom Power
- Advanced TCA Systems
- Network Routers and Switches
- Computer Systems and Servers

LT, LTC, LTM, Linear Technology and the Linear logo are registered trademarks of Linear Technology Corporation. All other trademarks are the property of their respective owners.

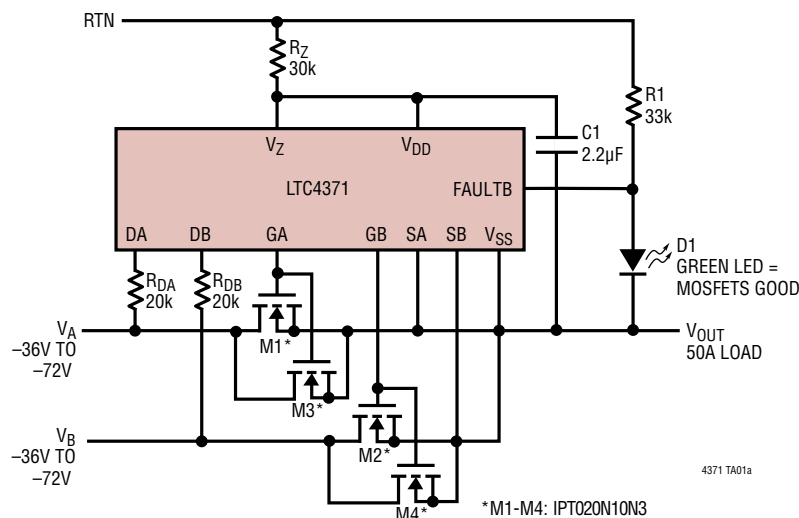
DESCRIPTION

The **LTC[®]4371** is a two-input negative voltage ideal diode-OR controller that drives external N-channel MOSFETs as a low dissipation alternative to Schottky diodes in high power -48V systems. Low power dissipation and voltage loss eliminates the need for heatsinks and reduces PC board area. Power sources can be easily ORed together to increase total system power and reliability.

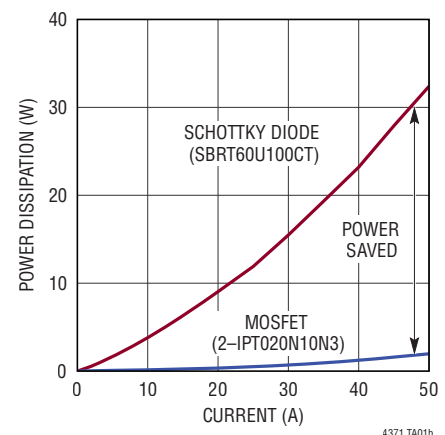
The LTC4371 tolerates ±300V transients such as those experienced during lightning-induced surges and input supply short-circuit events. The internal shunt regulator and low 350µA quiescent current allow the use of a large value dropping resistor to protect the supply pin against high voltage transients, while the high impedance drain pins can be similarly protected by high value series resistors without compromising diode operation.

The 220ns reverse current turn-off is achieved by a powerful 2A gate driver with low propagation delay, thereby minimizing peak reverse current under catastrophic fault conditions. Open MOSFET and fuse faults are indicated at the FAULTB pin, which is capable of sinking 5mA to drive an LED or opto isolator.

TYPICAL APPLICATION



**-48V/50A Diode-OR
Power Dissipation vs. Load Current**



LTC4371

ABSOLUTE MAXIMUM RATINGS

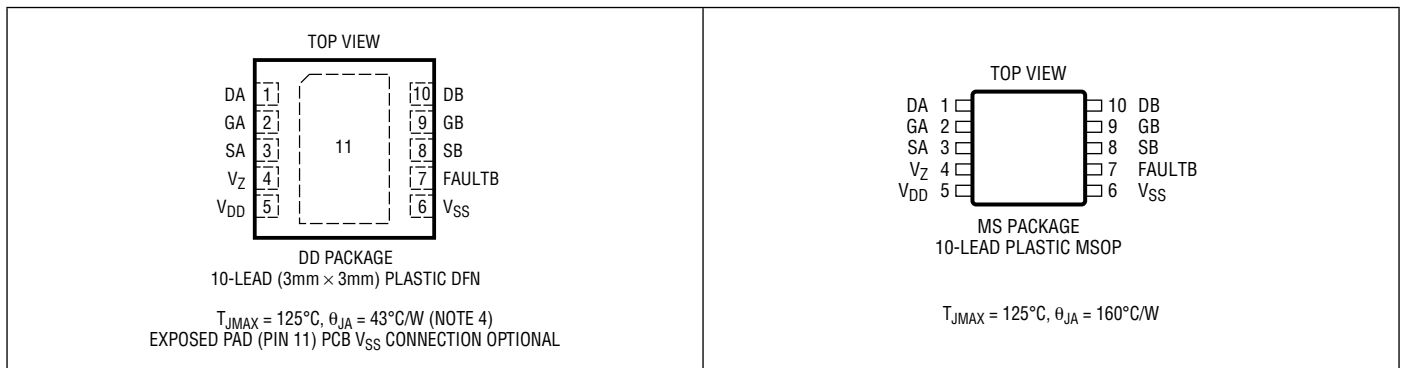
(Notes 1, 2)

Supply Voltage V_{DD}	-0.3V to 17V
Input Voltage	
DA, DB (Note 3)	-40V to 100V
SA, SB	-0.3V to 0.3V
DC Currents	
V_Z	20mA
DA, DB	± 1 mA
Single Pulse Current (6ms) DA, DB	10mA

Output Voltages

GA, GB	-0.3V to V_{DD}
FAULTB	-0.3V to 17V
Operating Ambient Temperature Range	
LTC4371C	0°C to 70°C
LTC4371I	-40°C to 85°C
Storage Temperature Range	-65°C to 150°C
Lead Temperature (Soldering, 10 sec)	
MS Package	300°C

PIN CONFIGURATION



ORDER INFORMATION (<http://www.linear.com/product/LTC4371#orderinfo>)

LEAD FREE FINISH	TAPE AND REEL	PART MARKING	PACKAGE DESCRIPTION	TEMPERATURE RANGE
LTC4371CDD#PBF	LTC4371CDD#TRPBF	LGSD	10-Lead (3mm × 3mm) Plastic DFN	0°C to 70°C
LTC4371IDD#PBF	LTC4371IDD#TRPBF	LGSD	10-Lead (3mm × 3mm) Plastic DFN	-40°C to 85°C
LTC4371CMS#PBF	LTC4371CMS#TRPBF	LTGSF	10-Lead Plastic MSOP	0°C to 70°C
LTC4371IMS#PBF	LTC4371IMS#TRPBF	LTGSF	10-Lead Plastic MSOP	-40°C to 85°C

Consult LTC Marketing for parts specified with wider operating temperature ranges.

For more information on lead free part marking, go to: <http://www.linear.com/leadfree/>

For more information on tape and reel specifications, go to: <http://www.linear.com/tapeandreel/>. Some packages are available in 500 unit reels through designated sales channels with #TRMPBF suffix.

ELECTRICAL CHARACTERISTICS

The ● denotes the specifications which apply over the full operating temperature range, otherwise specifications are at $T_A = 25^\circ\text{C}$, $I_Z = 50\mu\text{A}$, $V_{DD} = 12.4\text{V}$, $SA = SB = V_{SS}$ unless otherwise noted.

SYMBOL	PARAMETER	CONDITIONS		MIN	TYP	MAX	UNITS
V_{DD}	Input Supply Range		●	4.5		16	V
I_{DD}	Input Supply Current						
	Normal Operation	$\Delta V_{SD} = \pm 0.1\text{V}$	●	200	300	450	μA
	Gate Fault to V_{SS} , Strong Pull-Up Disabled	$V_Z = 10.4\text{V}$, $\Delta V_{SD} = 0.1\text{V}$, One GATE = V_{SS}	●	400	550	750	μA
	Gate Fault to V_{SS} , Strong Pull-Up Enabled	$I_Z = 50\mu\text{A}$, $\Delta V_{SD} = 0.1\text{V}$, One GATE = V_{SS}	●	4.5	7	9.5	mA
V_Z	Shunt Regulator Voltage	$I_Z = 50\mu\text{A}$	●	11.8	12.4	14	V
ΔV_Z	Shunt Regulator Load Regulation	$I_Z = 50\mu\text{A}$ to 10mA	●			600	mV
$V_{Z(PU)}$	V_Z High Threshold to Enable Strong Gate Pull-Up	$V_{DD} = V_Z$ Rising	●	10.7	11.2	11.8	V
$\Delta V_{Z(PU)}$	V_Z High Threshold Hysteresis				0.5		V
$V_{Z(PU)}$	V_Z Low Threshold to Enable Strong Gate Pull-Up	V_Z Falling	●	1.15	1.25	1.35	V
ΔV_{SD}	Source-Drain Forward Servo Voltage		●	5	15	25	mV
ΔV_{GATE}	Gate Drive ($V_G - V_S$)	$I_G = 0\mu\text{A}$, $-1\mu\text{A}$; $\Delta V_{SD} = 100\text{mV}$	●	$V_{DD} - 0.2$		$V_{DD} + 0.1$	V
$I_{GATE(UP)}$	Gate Pull-Up Current	$\Delta V_{SD} = 100\text{mV}$, $\Delta V_{GATE} = 5\text{V}$	●	-3	-5	-8	mA
$I_{GATE(DN)}$	Gate Pull-Down Current	$\Delta V_{SD} = -10\text{mV}$, $\Delta V_{GATE} = 5\text{V}$	●	7	10	13	mA
	Strong Gate Pull-Down Current	$\Delta V_{SD} = -100\text{mV}$, $\Delta V_{GATE} = 5\text{V}$	●	1	2	3	A
t_{OFF}	Gate Turn-Off Time in Fault Condition	$\Delta V_{SD} = 0.1\text{V}$ Step to -0.4V , $C_{GATE} = 3.3\text{nF}$, $\Delta V_{GATE} < 1\text{V}$	●			220	ns
I_D	DA, DB Leakage Current						
	MOSFET Off	$V_D = 80\text{V}$	●			10	μA
	MOSFET Open	$V_D = -40\text{V}$	●			-10	μA
R_D	DA, DB Resistance	$\Delta V_{SD} = -50\text{mV}$ to 0.1V	●	1	2	5	$\text{M}\Omega$
V_{BVD}	DA, DB Breakdown Voltage	$I_D = 10\text{mA}$, 6ms	●	100	130	170	V
I_S	SA, SB Leakage Current	$V_S = 0\text{V}$	●			± 2	μA
$\Delta V_{SD(FLT)}$	Source-Drain Fault Detection Threshold		●	150	200	225	mV
V_{FAULTB}	FAULTB Output Low	$I_{FAULTB} = 5\text{mA}$	●			0.4	V
I_{FAULTB}	FAULTB Leakage Current	$V_{FAULTB} = 16\text{V}$	●			± 1	μA

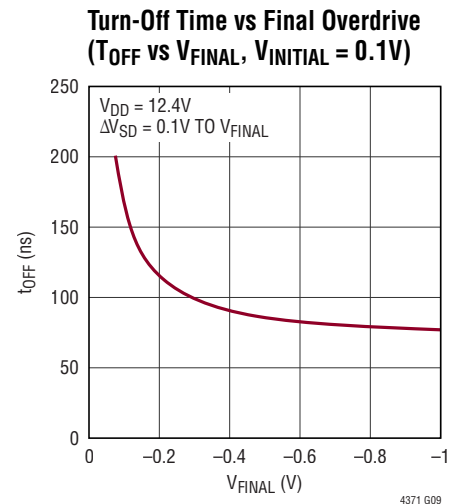
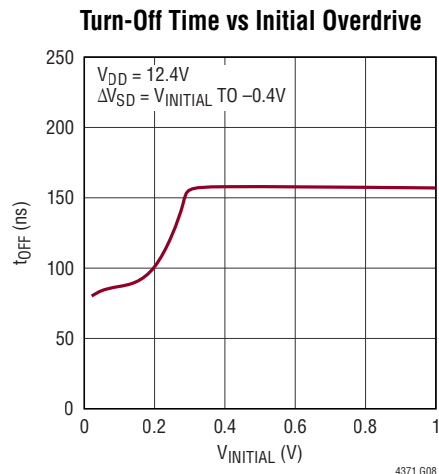
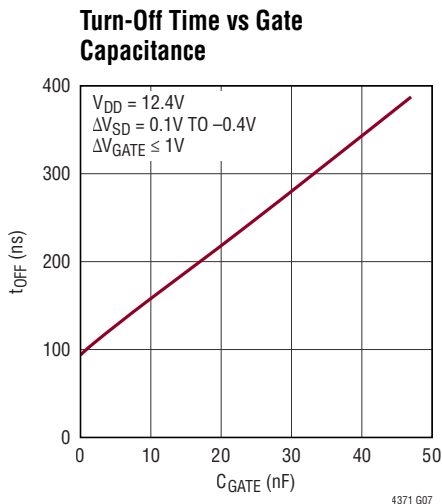
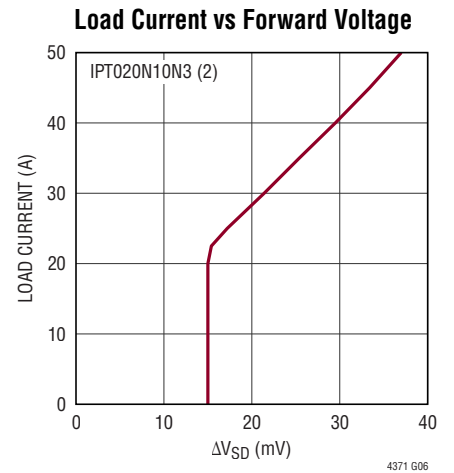
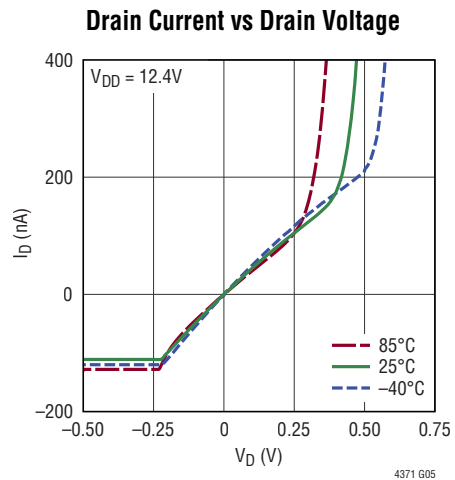
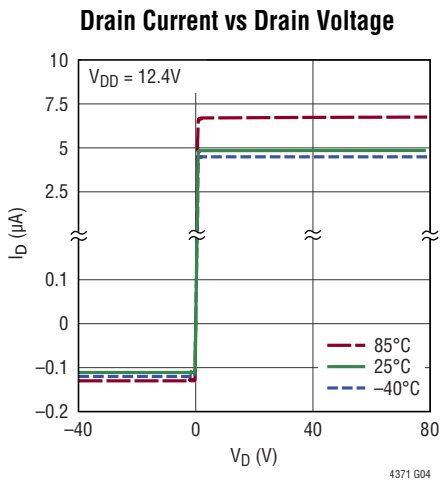
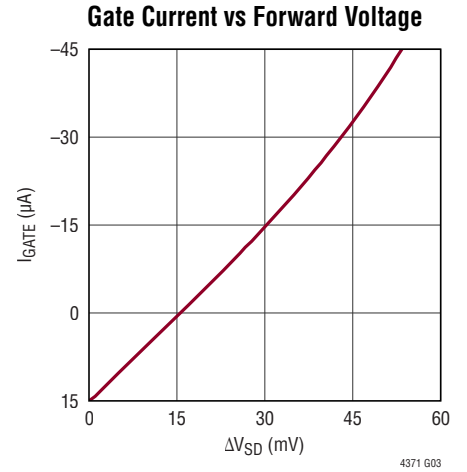
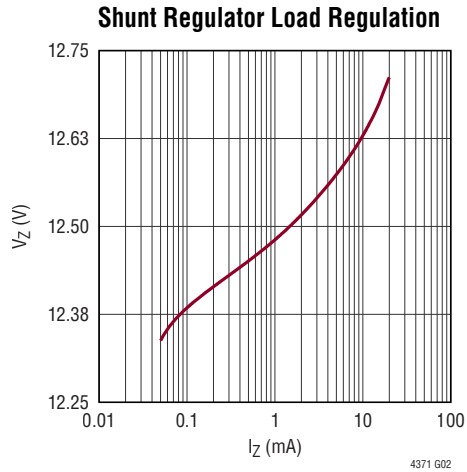
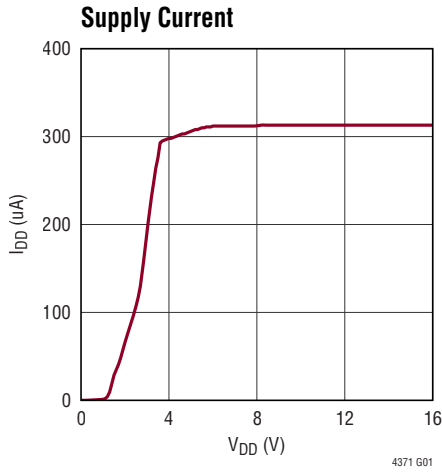
Note 1: Stresses beyond those listed under Absolute Maximum Ratings may cause permanent damage to the device. Exposure to any Absolute Maximum Rating condition for extended periods may affect device reliability and lifetime.

Note 2: All currents into pins are positive; all voltages are referenced to V_{SS} unless otherwise specified.

Note 3: An internal clamp limits the DA and DB pins to a minimum of 100V above V_{SS} and -40V below V_{SS} . This pin can be safely tied to higher voltages through a resistance that limits the current below 1mA DC or 10mA for a 6ms transient. Driving this pin with current beyond the clamp may damage the device.

Note 4: Thermal resistance is specified with exposed pad soldered to a 3-inch by 4.5-inch, four layer FR4 board. If exposed pad is not soldered $\theta_{JA} = 93^\circ\text{C/W}$.

TYPICAL PERFORMANCE CHARACTERISTICS $T_A = 25^\circ\text{C}$, unless otherwise noted.



PIN FUNCTIONS

DA, DB (Pins 1 and 10): Drain Voltage Kelvin Sense Inputs. DA and DB connect to the drains of the N-channel MOSFETs. The voltage sensed by SA – DA and SB – DB is used to control the gate drive and hence the ΔV_{SD} drop across the MOSFETs, and it is also used for fault detection. For accurate Kelvin sensing of ΔV_{SD} , connect these pins as closely as possible to the MOSFET drains. An external resistor protects the DA and DB pins from transients exceeding 100V. If the LTC4371 is used in a single channel application, DA and DB may be joined together and operated in parallel; otherwise connect the unused drain pin to V_{SS} .

Exposed Pad (Pin 11 – DD Package Only): Exposed pad may be left open or connected to V_{SS} .

FAULTB (Pin 7): Fault Output. Open drain output that pulls low to indicate that one or both of the external MOSFETs have failed open. FAULTB can sink up to 5mA to drive an opto isolator or LED. The maximum allowable pull-up voltage is 17V. Connect to V_{SS} if unused.

GA, GB (Pins 2 and 9): Gate Drive Outputs. GA and GB operate between V_{SS} and V_{DD} to control their associated MOSFET gates and emulate the behavior of a diode. For $\Delta V_{SD} > 15\text{mV}$, the gate pin drives the MOSFET on, while $\Delta V_{SD} < 15\text{mV}$ produces the opposite effect. With a large positive ΔV_{SD} , the gate pin pulls up with a strong 5mA source, while large negative ΔV_{SD} activates a 2A pull-down with a maximum propagation delay of 220ns. If the LTC4371 is used in a single channel application, the gate pins may be joined together and operated in parallel to realize a two-fold increase in gate drive strength; otherwise the unused gate pin may be left open.

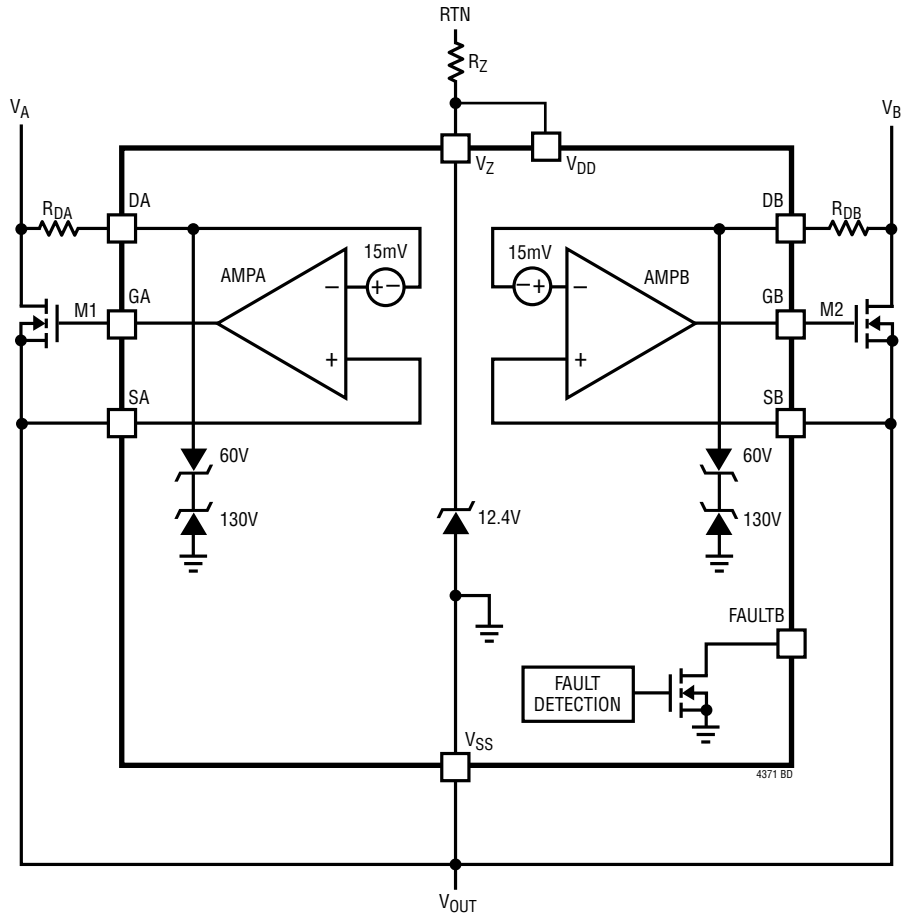
SA, SB (Pins 3 and 8): Source Voltage Kelvin Sense Inputs. SA and SB connect to the sources of the N-channel MOSFETs. The voltage sensed by SA – DA and SB – DB is used to control the gate drive and hence the ΔV_{SD} drop across the MOSFETs, and it is also used for fault detection. For accurate Kelvin sensing of ΔV_{SD} , connect these pins as close as possible to the MOSFET sources. If the LTC4371 is used in a single channel application, SA and SB may be joined together and operated in parallel; otherwise connect the unused source pin to V_{SS} .

V_{DD} (Pin 5): Positive Supply Voltage Input. Supply V_{DD} directly from 4.5V to 16V, or in shunt regulated applications connect directly or through a buffer transistor biased by V_Z . When connected directly to V_Z , bypass V_{DD} with 2.2 μF to V_{SS} . Maximum gate drive voltage is limited to V_{DD} .

V_{SS} (Pin 6): Device Substrate and Negative Supply Voltage. V_{SS} connects to V_{OUT} at the joined sources of the N-channel MOSFETs.

V_Z (Pin 4): Shunt Regulator Supply Input. This pin serves as a shunt regulator for the V_{DD} pin or as a regulator reference, and operates with a bias of 50 μA to 10mA. Bypass with at least 100nF when used as a reference, and 2.2 μF when connected to the V_{DD} pin. If unused, connect V_Z to V_{SS} . See “Strong Gate Pull-Up” in the Applications Information for details on the relationship between the V_Z pin voltage and gate pin drive strength.

BLOCK DIAGRAM



OPERATION

The LTC4371 controls N-channel MOSFETs to emulate two ideal diodes (see Block Diagram). By sensing the MOSFET's source-to-drain voltage drop, amplifiers AMPA and AMPB control the gate of their respective external MOSFET to act as an ideal diode with a 15mV forward (ΔV_{SD}) drop. With low load currents, the amplifier regulates the MOSFET gate near its threshold to maintain a forward drop of 15mV. As load current increases, the gate voltage is driven higher to maintain a drop of 15mV. For very large load currents where the MOSFET gate is driven fully on, the forward drop rises linearly with current according to $R_{DS(ON)} \cdot I_{LOAD}$. If the forward drop is less than 15mV, or if ΔV_{SD} reverses, the amplifier turns the MOSFET off and the load current transfers to the other channel.

When the power supply voltages are nearly equal, this regulation technique ensures that the load current is smoothly shared between the supplies without oscillation. The current balance depends on the $R_{DS(ON)}$ of the MOSFETs and the output resistance of the supplies.

In the case of supply failure, such as supply V_A , while conducting most or all of the load current is shorted to return, a large reverse current flows from return through M1 to any load capacitance and through M2 to supply V_B . AMPA detects the current reversal and turns off M1 in less than 220ns. Fast turn-off prevents reverse current from rising to a damaging level.

The remaining supply V_B delivers load current through the body diode of M2, until the gate is driven on. With 700mV forward drop across M2, AMPB responds quickly and drives the gate with 5mA pull-up current, limiting the body diode conduction time to under 100 μ s. This minimizes power dissipation arising from switchover and

is especially important in 60Hz AC applications. As the forward drop reduces, a weaker output stage takes over and regulates the forward drop, within the limitations of $R_{DS(ON)}$, to 15mV.

The LTC4371 can be powered in $-4.5V$ to $-16V$ applications by connecting V_{DD} directly to the power supply return. In higher voltage applications or to guard against input transients, V_Z and V_{DD} can be connected together and powered from return through a bias resistor, R_Z . For repetitive 5mA gate pull-up current, V_{DD} can be driven by a buffer biased by V_Z . The V_Z pin is shunt regulated to 12.4V with respect to V_{SS} with 50 μ A minimum bias, and is capable of sinking up to 10mA.

The LTC4371 is designed to withstand high voltage transients exceeding $\pm 300V$, such as those experienced during lightning-induced surges and input supply short circuit events, without damage. 130V internal clamps protect drain pins DA and DB against positive spikes. External resistors R_{DA} and R_{DB} are necessary to limit the peak clamp current to less than 10mA.

In an application circuit, negative spikes are clamped by the MOSFET's body diode to V_{OUT} , such that the drain pin never sees more than $-700mV$ with respect to V_{SS} . A safely clamped negative transient on one input manifests itself as a positive transient on the second input and as an increased voltage from RTN to V_{OUT} . The bias resistor, R_Z , limits the current into the V_Z shunt regulator to less than 10mA.

A Fault Detection circuit monitors MOSFET ΔV_{SD} ; FAULTB pulls low if ΔV_{SD} of either channel exceeds 200mV while the gate is driven fully on. This is an indication of an open circuit MOSFET and can be configured for fuse monitoring by moving the drain pin connection to the input side of the fuse.

APPLICATIONS INFORMATION

High availability systems employ parallel connected power supplies or battery feeds to achieve redundancy and enhance system reliability. Schottky diodes are a popular means of ORing these supplies together at the point of load.

The chief disadvantage of Schottky diodes is their significant forward voltage drop and resulting power and efficiency loss. This drop reduces the available supply voltage and dissipates significant power. The LTC4371 solves these problems by using an N-channel MOSFET as a low loss pass element to emulate the behavior of a diode (see Figure 1).

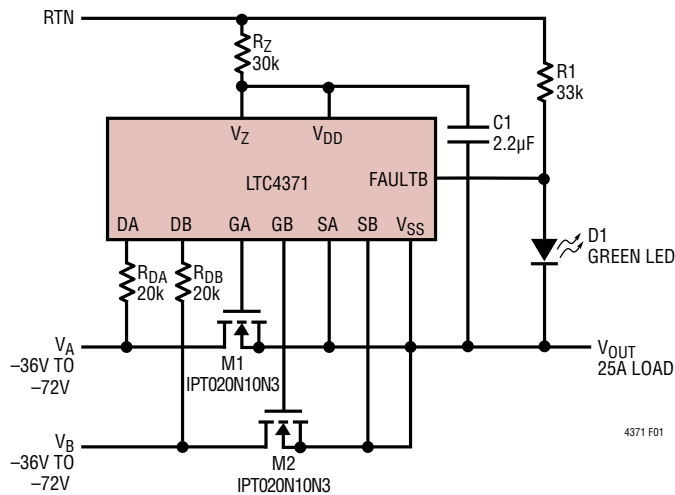


Figure 1. -36V to -72V/25A Ideal Diode-OR Controller

The MOSFET is turned on when power passes in the forward direction (positive current flow from source to drain), allowing for a low voltage drop from load to supply. In the reverse direction, the MOSFET is turned off to block current flow. By these means, the MOSFET is made to approach the function and performance of an ideal diode. The MOSFET voltage drop, ΔV_{SD} , is sensed by the DA and SA, or DB and SB pins.

Powering V_{DD}

The LTC4371 is fundamentally a low voltage device operating over a range of 4.5V to 16V at the V_{DD} pin, with respect to V_{SS} . The gate amplifiers are powered from the V_{DD} pin and pull-up to within 300mV of V_{DD} .

In low voltage applications such as -5V or -12V, the V_{DD} pin can be powered directly from return, with V_{SS} connected to V_{OUT} .

An internal 12.4V shunt regulator at the V_Z pin provides a means of operating the LTC4371 from higher voltage supplies. It regulates over a range of 50µA to 10mA. In the simplest configuration shown in Figure 2, V_{DD} is connected directly to V_Z and biased by resistor R_Z from the return. A 2.2µF decoupling capacitor is required to stabilize the V_Z shunt regulator, and to momentarily provide the 5mA fast pull-up current at the gate pins as needed.

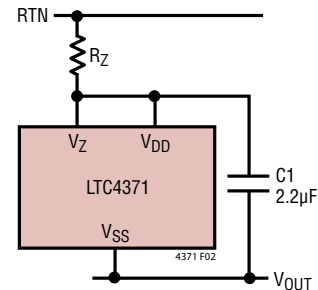


Figure 2. Simplest Solution: V_{DD} Connected Directly to V_Z

Bias resistor R_Z is chosen to bias the shunt regulator and provide the maximum V_{DD} current at the expected minimum input voltage according to:

$$R_Z < \frac{V_{IN(MIN)} - V_{Z(MIN)}}{I_{DD(MAX)} + 50\mu A} \quad (1)$$

Maximum bias resistor dissipation is calculated from:

$$P_{D(RZ)} = \frac{(V_{IN(MAX)} - V_{Z(MIN)})^2}{R_Z} \quad (2)$$

The maximum shunt regulator current must not exceed 10mA such that:

$$R_Z > \frac{V_{IN(MAX)} - V_{Z(MIN)}}{10mA} \quad (3)$$

In -48V applications a single 1206 size 30kΩ resistor is adequate to power the LTC4371. In the application shown in Figure 1, at 100V (a commonly specified maximum transient condition) peak dissipation in R_Z just exceeds 250mW, while the maximum V_Z current is slightly less than 3mA.

Dissipation rises in certain applications so that a larger package or multiple series units are necessary to implement R_Z . Examples include AC applications where the gate drivers demand additional current to supply repetitive

APPLICATIONS INFORMATION

pulses from the 5mA fast pull-up, applications where the input operating voltage exceeds 72V and applications with a wide range of input voltage, particularly those where the minimum input voltage approaches the operating voltage of the LTC4371. A wide input voltage range may also result in a situation where the maximum V_Z current calculated in Equation 3 exceeds 10mA. For these cases an NPN transistor can be used to buffer the shunt regulator and power V_{DD} , as shown in Figure 3. Equation 1 becomes:

$$R_Z < \frac{V_{IN(MIN)} - V_{Z(MIN)}}{50\mu A + \frac{I_{DD(MAX)}}{\beta}} \quad (4)$$

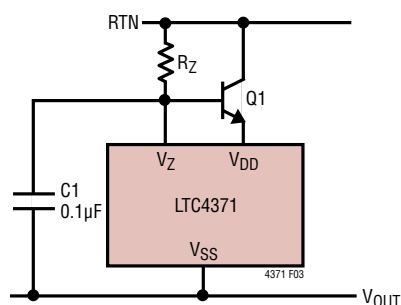


Figure 3. V_{DD} Connected to V_Z with NPN for Repetitive 5mA Gate Pull-Up Current

where $50\mu A$ represents the minimum V_Z shunt regulator operating current and β is $Q1$'s DC current gain.

The maximum power dissipation in R_Z and the maximum V_Z current are calculated from Equations 2 and 3. Dissipation in emitter follower $Q1$ is given by:

$$P_{D(Q1)} = (V_{IN(MAX)} + V_{BE} - V_{Z(MIN)}) \cdot I_{DD(MAX)} \quad (5)$$

In buffered applications, bypass V_Z with a 100nF capacitor to V_{SS} . Bypassing V_{DD} is unnecessary.

For applications at very high voltages, beyond 300V, small high voltage MOSFETs are more readily available than bipolar devices and the circuit of Figure 4 is preferred. R_Z , calculated using Equation 4, is split into two parts, R_{Z1} and R_{Z2} . R_{Z1} is sized to produce a 3V drop when operating at $V_{IN(MIN)}$.

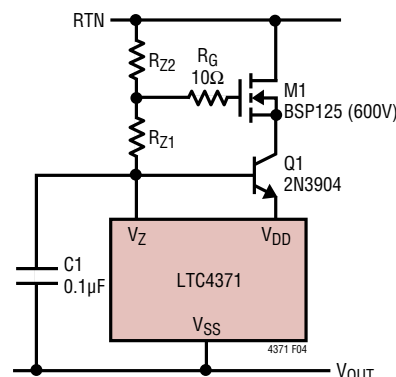


Figure 4. MOSFET Cascode for High Voltage > 250V Applications with 5mA Gate Pull-Up Current

R_Z (or R_{Z2}) may be split into multiple segments in order to achieve the desired standoff voltage or dissipation. Whereas 1206 size resistors are commonly rated for 200V working and 400V peak, pad spacing and circuit board design rules may limit the working rating to as little as 100V.

In Figure 3, the voltage drop and power dissipation of $Q1$ may be augmented by the use of one or more resistors in series with the collector. The same applies for $M1$ in Figure 4.

For all applications R_Z (or $R_{Z1} + R_{Z2}$) must limit the maximum V_Z current to less than 10mA, as calculated using Equation 3. If voltage transients are anticipated, $V_{IN(MAX)}$ becomes the peak transient voltage. Transient requirements may force the use of Figure 3 or Figure 4 instead of Figure 2. The peak V_Z current may also be reduced to less than 10mA by filtering, e.g. split R_Z (or R_{Z2}) into two equal parts and connect a bypass capacitor from the central node to V_{SS} .

Strong Gate Pull-Up

For fast turn-on, a strong 5mA driver pulls up on the gate when the MOSFET forward drop (ΔV_{SD}) is large. In simple shunt-regulated applications such as shown in Figure 2, the bias resistor R_Z may be incapable of supplying 5mA. In this case, a $2.2\mu F$ bypass capacitor is required to momentarily provide the strong pull-up current to fully charge the MOSFET gate. In normal operation the 5mA drive is not a DC condition, as it flows only long enough to deliver gate charge to the MOSFET. The amount of

APPLICATIONS INFORMATION

charge is approximately equal to the total gate charge, Q_g , as specified on the MOSFET's data sheet.

If there is a fault wherein the MOSFET gate is shorted to V_{SS} and ΔV_{SD} is large, the 5mA pull-up becomes a continuous load on V_{DD} . The extra V_{DD} current overwhelms R_Z and discharges the 2.2 μ F bypass capacitor. When V_Z falls to the $V_{Z(PU_EN)}$ threshold of 10.7V, the 5mA pull-up current on both channels is disabled. The 5mA pull-up is enabled when V_Z recovers to 11.2V. This feature prevents a shorted gate pin from collapsing V_{DD} and, aside from disabling the 5mA pull-up, interfering with the operation of the second channel when using the configuration shown in Figure 2.

In applications such as Figure 3 and 4, if the V_{DD} supply is designed to deliver > 5mA, no V_{DD} bypassing is required. Note that a shorted gate will demand a continuous current of 5mA whenever ΔV_{SD} is large.

The 5mA pull-up is enabled when V_Z is biased to >11.8V in its normal shunt regulator mode, or when V_Z is <1.15V. Connecting V_Z to V_{SS} permanently enables the 5mA gate pull-up. If V_Z is not used as a shunt regulator, the 5mA pull-up can be disabled by biasing V_Z to voltage between 1.35V and 10.4V (with respect to V_{SS}) as shown in Figure 5.

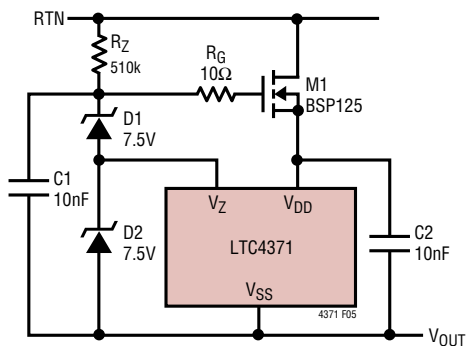


Figure 5. MOSFET Follower for High Voltage > 250V Applications with 5mA Gate Pull-Up Current Disabled

MOSFET Selection

The LTC4371 drives N-channel MOSFETs to conduct the load current. The important features of the MOSFETs are threshold voltage, $V_{GS(TH)}$; maximum drain-source voltage, BV_{DSS} ; and on-resistance, $R_{DS(ON)}$.

Full gate drive for the MOSFETs (ΔV_{GATE}) is $V_{DD} + 100mV/-200mV$. When used in shunt regulated circuits such as shown in Figure 2, full gate drive lies in

the range of 11.6V to 14.1V, compatible with standard 10V-specified MOSFETs. In low voltage applications, such as where the V_{DD} pin is directly powered from less than 10V, the gate drive is compatible with logic-level and sub logic-level MOSFETs.

The drain-source breakdown rating, BV_{DSS} , must be greater than or equal to the highest input supply voltage. If an input is shorted, the full supply voltage of the opposing channel will appear across the MOSFET of the shorted channel. Avalanche may occur during input short circuits and lightning induced surges if the peak transient voltage exceeds BV_{DSS} with respect to V_{OUT} .

The LTC4371 attempts to servo the forward drop across the MOSFET (ΔV_{SD}) to 15mV by controlling the gate, and flags a fault if the drop exceeds 200mV when the MOSFET is driven fully on. Thus an upper bound for $R_{DS(ON)}$ is set by:

$$R_{DS(ON)} < \frac{\Delta V_{SD(FLT)}}{I_{LOAD(MAX)}} \quad (6)$$

Where $\Delta V_{SD(FLT)}$ is 150mV minimum.

Further, $R_{DS(ON)}$ must be small enough to conduct the maximum load current without excessive MOSFET dissipation, which is calculated from:

$$P_{D(MOSFET)} = I_{LOAD(MAX)}^2 \cdot R_{DS(ON)} \quad (7)$$

The definition of “excessive” is provided by the circuit designer based on package and circuit board thermal constraints.

Loop Stability

The gate amplifiers are compensated by the input capacitance of the external MOSFETs. No further compensation components are necessary except in the case of very small MOSFETs. If C_{ISS} is less than 500pF, add a 1nF capacitor across the MOSFET gate and source terminals.

High Voltage Transient Protection

Although the LTC4371 drain pins, DA and DB are designed to handle voltages ranging from -40V to 100V with respect to V_{SS} , they may be subjected to much higher voltages, even in -48V systems. DA and DB are directly exposed to

APPLICATIONS INFORMATION

all voltages appearing at the input. Spikes and transients may arise from various conditions including lightning induced surges, electrostatic discharge, switching of adjacent loads, and input short circuits.

The dynamic behavior of an active ideal diode entering reverse bias is most accurately characterized by a delay, followed by a period of reverse recovery. During the delay phase some reverse current is built up, limited by parasitic resistance and inductance. During the reverse recovery phase, energy stored in the parasitic inductance is transferred to other elements in the circuit.

Current slew rates during reverse recovery may reach $100\text{A}/\mu\text{s}$ or higher. High slew rates coupled with parasitic inductance in series with the input and output can cause destructive transients to appear at the drain, source and V_{SS} pins of the LTC4371 during reverse recovery.

A zero impedance short circuit directly across the input and return is especially troublesome because it permits the highest possible reverse current to build up during the delay phase. When the MOSFET finally interrupts the reverse current, the MOSFET drain and the LTC4371 drain pins experience a positive-going voltage spike, while the MOSFET source and the LTC4371 source and V_{SS} pins spike in the negative direction. To protect the circuit biasing V_{DD} , clamp or bypass V_{OUT} as close as possible to the junction of the MOSFET sources and V_{SS} and the point where the V_{DD} bias circuit connects to return.

The positive spike at the input is clamped to BV_{DSS} relative to V_{OUT} by MOSFET avalanche. BV_{DSS} is inadequate protection for the DA and DB pins, as shall be discussed later. Although the energy stored in parasitic inductance during input short circuit faults is at least two orders of magnitude smaller than the avalanche energy rating of most MOSFETs, the peak current may exceed the avalanche current rating of the MOSFET. In this case and if positive-going transient energy from other external sources exceeds the MOSFET's avalanche energy rating, add TVS clamps across each MOSFET as shown in Figure 6.

Externally applied input transients in the negative direction are clamped by the body diodes of the MOSFETs to -700mV with respect to V_{OUT} , if not connected directly through $R_{DS(ON)}$ to V_{OUT} , and pose no particular hazard for the DA and DB pins. Negative input transients couple directly to the output which increases the RTN to V_{OUT} voltage. Although the shunt resistor, R_Z , limits the current into V_Z to a safe level of less than 10mA , an output capacitor or TVS clamp may be required to protect downstream circuitry from negative input transients.

$100\text{V } BV_{DSS(MIN)}$ MOSFETs are commonly used in -48V applications, but $BV_{DSS(MAX)}$ is not guaranteed and cannot be relied upon to protect the DA and DB pins from exceeding their absolute maximum rating of 100V . Nevertheless, the 100V absolute maximum rating for DA and DB may be safely exceeded if certain precautions are taken. The internal 130V clamps shown in the Block Diagram tolerate

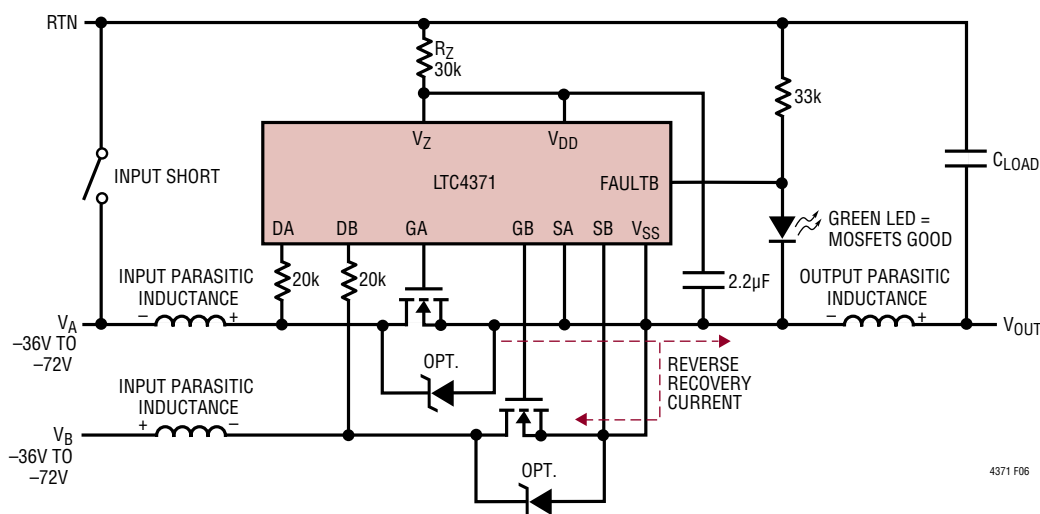


Figure 6. Input Short Circuit Parasitics and Protection Against High Voltage Transients

APPLICATIONS INFORMATION

up to 10mA for 6ms in breakdown. For protection against transients exceeding 100V, add series resistors R_{DA} and R_{DB} according to:

$$R_{DA}, R_{DB} > \frac{V_{IN(PK)} - V_{BVD(MIN)}}{10mA} \quad (8)$$

where $V_{IN(PK)}$ is the peak input voltage measured with respect to V_{SS} , and $V_{BVD(MIN)}$ is the minimum drain pin breakdown voltage (100V).

Because their presence incurs no particular performance penalty, a minimum value of 20k Ω is prudent and protects the DA and DB pins against transients up to 300V, as shown in Figure 7. A practical limit for R_{DA} and R_{DB} is 100k Ω , beyond which their resistance interferes with the operation of the gate amplifier. Some speed penalty is incurred for values greater than 20k Ω , as shown in Figure 8. If the speed penalty is unacceptable, add a resistor and capacitor across R_{DA} and R_{DB} as shown in Figure 9 to restore the response time.

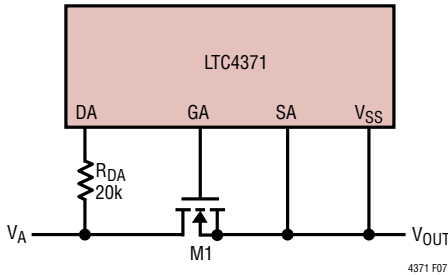


Figure 7. 300V Drain Pin Protection

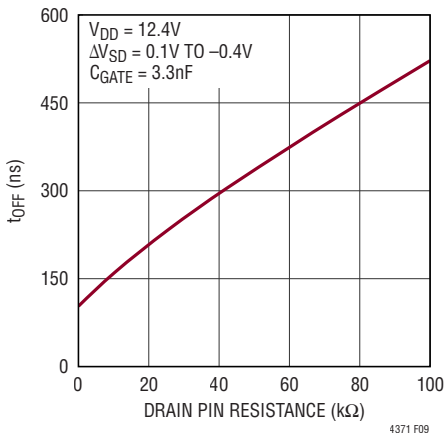


Figure 8. Reverse Response Time vs. Drain Pin Resistance

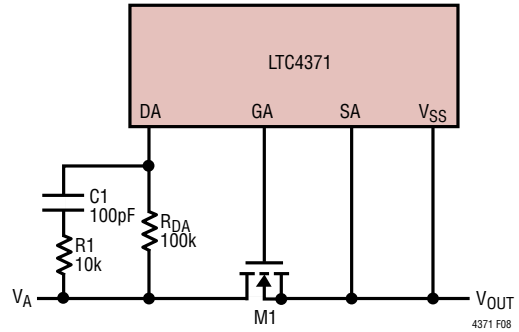


Figure 9. High Voltage Drain Pin Protection with C1 and R1 Maintaining Fast Turn-Off Time

High Voltage DC Applications

An extra blocking device is necessary to protect the DA and DB pins in applications where the DC input voltage exceeds 100V. Even in -48V applications the equivalent DC input voltage may exceed 100V, as a result of a reverse connected supply feed that can impress up to double the maximum operating voltage across the inputs.

Because the 130V DA and DB pin clamps are limited to clamping short-term spikes, some other means of limiting the maximum applied voltage is necessary in DC applications. The N-channel cascode shown in Figure 10 extends the DC input operating voltage to 600V. It safely clamps the drain pin to about 2V less than V_Z , yet introduces only 500 Ω series resistance when the input is in the vicinity of V_{OUT} ; fast turn-off time is maintained.

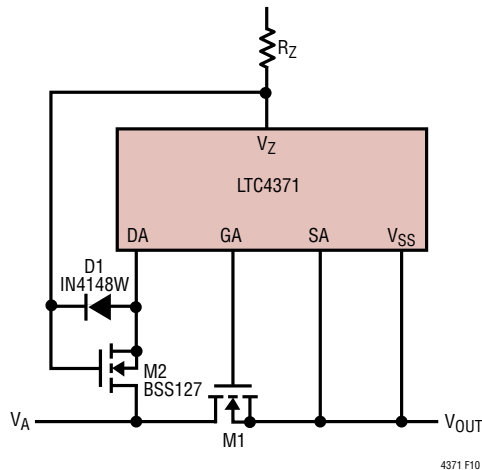


Figure 10. Drain Protection for Applications Up to -600V

APPLICATIONS INFORMATION

Fuse and Open MOSFET Detection

The LTC4371 monitors ΔV_{SD} of each channel as measured across SA – DA and SB – DB. If ΔV_{SD} of either channel exceeds 200mV and the associated gate pin is driven fully on, FAULTB pulls low to indicate a fault. Conditions leading to high ΔV_{SD} include excessive load current ($I_{LOAD} \times R_{DS(ON)} > 200mV$), an open circuit MOSFET or an open fuse placed in series with the MOSFET. A high ΔV_{SD} fault is detected on only the highest voltage input supply, i.e. the path that should be supplying power is, as a result of one of the aforementioned conditions, unable to do so. Temporary conditions, such as the initial 700mV drop experienced when an input first rises to the point of supplying current but before the gate has been driven on, are masked since the gate must also be high for fault detection.

The ΔV_{SD} monitor can be used to detect open fuses, as shown in Figure 11. An open fuse gives the same signature as an open MOSFET: ΔV_{SD} increases beyond 200mV when the affected input surpasses the opposing channel.

The connection shown in Figure 11 introduces a new problem: an open fuse and open MOSFET exposes the DA and DB pins to high negative voltage with respect to V_{SS} . Diodes D1 and D2 clamp the DA, DB pins from exceeding the absolute maximum of –40V with respect to V_{SS} .

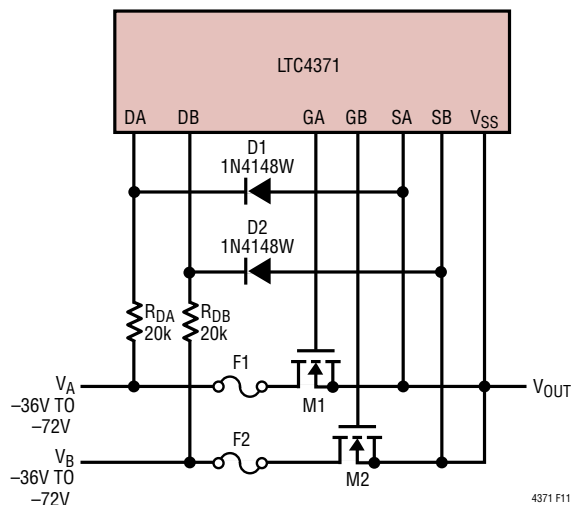
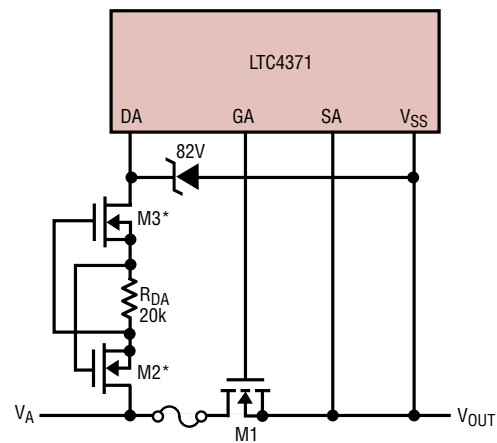


Figure 11. Fuse and Open MOSFET Detection

Figure 12 shows a protection method that extends DA and DB pin operation to $\pm 600V$. The drain pins are clamped by an 82V Zener diode. As shown, the DA pin is clamped at 82V with respect to V_{SS} in the positive direction, and 700mV below V_{SS} in the negative direction. When a high input voltage of either polarity is present, back-to-back depletion mode N-channel MOSFETs limit the current in the Zener diode to $V_{GS(TH)}/R_{DA}$ ($100\mu A$ for $R_{DA} = 20k\Omega$), a value that is indefinitely sustainable.



*M2, M3: BSP135 (600V) DEPLETION NMOS

4371 F12

Figure 12. Back-to-Back Drain Pin Limiter for $\pm 600V$

FAULTB Pin

The open drain FAULTB pin pulls low when the ΔV_{SD} of either channel exceeds 200mV, while its gate is driven fully on. FAULTB can sink 5mA to drive an LED for visual indication, or an opto isolator to communicate across an isolation barrier. The FAULTB pin voltage is limited to 17V absolute maximum with respect to V_{SS} in the high state and cannot be pulled up to return except in low voltage applications.

In Figure 13, the FAULTB pin is used to shunt current away from a green LED; the LED indicates (illuminates when) no fault condition is present. The operating voltage is limited at the low end by the minimum acceptable LED current, and at the high end by the FAULTB pin's 5mA capability.

Figure 14 shows a simple implementation driving a red LED; the LED indicates a fault condition is present. While this simple configuration works well in –48V applications, the maximum operating voltage is limited to 100V, the LED

4371f

APPLICATIONS INFORMATION

current varies widely with operating voltage, and dissipation in the 20kΩ resistor reaches ≈250mW at 72V input. These shortcomings are eliminated by the slightly more complex circuit shown in Figure 15. A cascode shields the FAULTB pin from the high input voltage and dissipates no power under normal conditions, while the LED current remains constant regardless of input voltage when indicating a fault. At 600V, cascode dissipation reaches 600mW maximum.

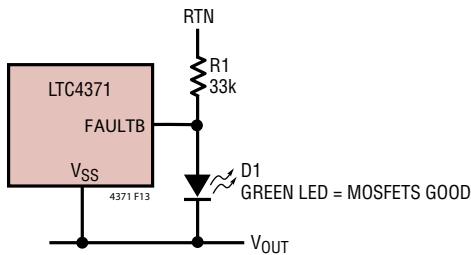


Figure 13. FAULTB Drives a Green LED in Shunt Mode

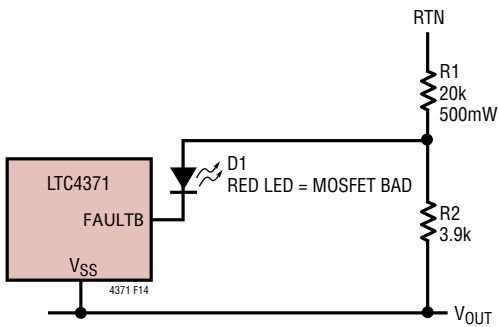


Figure 14. FAULTB Drives a Red LED in Series Mode

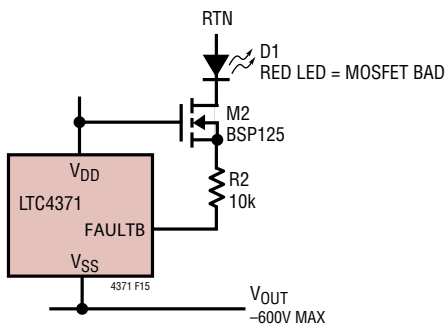


Figure 15. FAULTB Driving an LED in a High Voltage Application

Layout Considerations

A sample layout for the LTC4371 DFN package and PG-HSOF-8 MOSFET package is shown in Figure 16.

The V_{DD} bypass capacitor C1 provides AC current to the device; place it as close to V_{DD} and V_{SS} pins as possible. Connect the gate amplifier input pins, DA, DB, SA and SB, directly to the MOSFETs' drain and source terminals using Kelvin connections for good accuracy. Place the MOSFET sources as close together as possible, with V_{SS} connecting at their intersection.

Keep the traces to the MOSFET drains and common source wide and short. A good rule-of-thumb for minimizing self-heating effects in the copper traces is to allow at least 1-inch trace width per 50 amperes, for a surface layer of 1-ounce copper. This current density corresponds to a self-heating effect of about 1.3W per square inch. The traces associated with the power path through the MOSFETs must have low resistance to maintain good efficiency and low drop. The resistance of 1-ounce copper is approximately $500\mu\Omega$ per square.

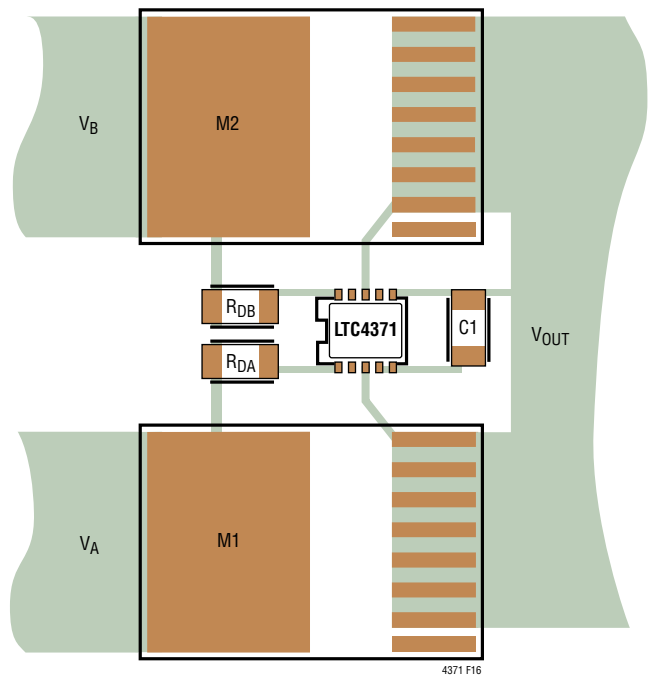


Figure 16. Recommended PCB Layout for M1, M2 and C1

APPLICATIONS INFORMATION

Design Example

The following design example demonstrates the calculations involved for selecting external components. Consider a -48V application with a -36V to -72V operating range, 200V peak transient and 25A maximum load current (see Figure 17).

The simplest configuration is chosen to power V_{DD} , since this arrangement easily handles the operating conditions found in a -48V telecom power system. The bias resistor, R_Z , is calculated from Equation 1:

$$R_Z < \frac{36\text{V} - 11.8\text{V}}{750\mu\text{A}} = 32.2\text{k}\Omega \quad (9)$$

The nearest lower 5% value is $30\text{k}\Omega$.

The worst case power dissipation in R_Z :

$$P_{D(RZ)} = \frac{(72\text{V} - 11.8\text{V})^2}{30\text{k}} = 166\text{mW} \quad (10)$$

A $30\text{k}\Omega$ 0.25W resistor is selected for R_Z . The maximum V_Z current is confirmed from Equation 3 as a safe value of 2mA . A -200V transient pushes this to 6.3mA , safely below the maximum allowable V_Z current of 10mA .

Next, choose the N-channel MOSFET. The 100V , IPT020N10N3 in a PG-HSOF-8 package with $R_{DS(ON)} = 2\text{m}\Omega$ (max) offers a good solution.

The maximum voltage drop across the MOSFET is:

$$\Delta V_{SD} = 25\text{A} \cdot 2\text{m}\Omega = 50\text{mV} \quad (11)$$

which is well below the 150mV minimum ΔV_{SD} fault threshold.

From Equation 7, the maximum power dissipation in the MOSFET is:

$$P_{D(\text{MOSFET})} = 25\text{A}^2 \cdot 2\text{m}\Omega = 1.25\text{W} \quad (12)$$

a reasonable value for the proposed package.

The minimum recommended value of $20\text{k}\Omega$ is chosen for R_{DA} and R_{DB} . $20\text{k}\Omega$ protects the DA and DB pins to 300V .

The LED, D1, requires at least 1mA of current to turn on fully; therefore, $R1$ is set to 33k to accommodate the minimum input supply voltage of -36V . The maximum current is 2mA at -72V , but excursions to 200V give 6mA , slightly beyond the FAULTB pin's 5mA capability. This means that if there is a fault present, a brief glitch might cause a "no fault" indication during a 200V transient. Since D1 is a visual indicator, we'll accept the remote chance of a dim flash in exchange for the simple circuit solution.

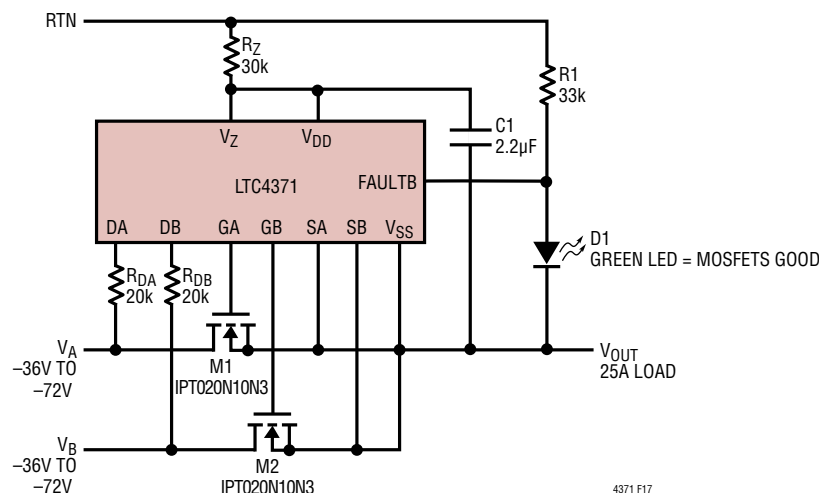


Figure 17. -36V to $-72\text{V}/25\text{A}$ Ideal Diode-OR

APPLICATIONS INFORMATION

As a second design example, consider modifying the circuit of Figure 17 to handle 300V transients and to drive a red LED, which illuminates when a fault is present (see Figure 18). R_{DA} and R_{DB} are sized to handle transients to 300V, so no change in their value is necessary. Modifications are necessary to drive the red LED.

A PZTA42, a 300V NPN with a minimum $\beta = 20$ is chosen to supply both the LED and the V_{DD} pin. With a maxi-

imum I_{DD} of 9.5mA (LTC4371) + 1mA (LED) = 10.5mA, Equation 4 gives:

$$I_{BASE} = \frac{10.5mA}{20} = 525\mu A \quad (13)$$

$$R_Z < \frac{36V - 11.8V}{50\mu A + \frac{10mA}{20}} = 44k$$

The nearest lower 5% value is 43k.

To produce 1mA LED current with variations in the circuit, R_1 is chosen to be 8.2k.

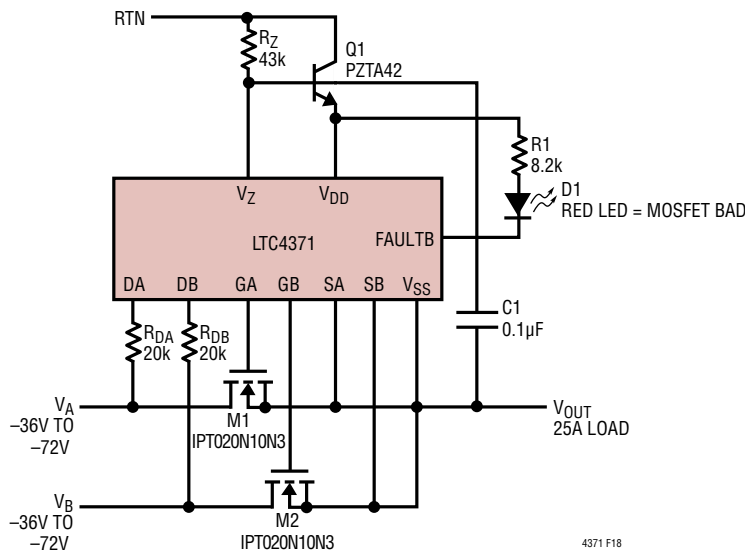


Figure 18. -36V to -72V/25A Ideal Diode-OR

TYPICAL APPLICATIONS

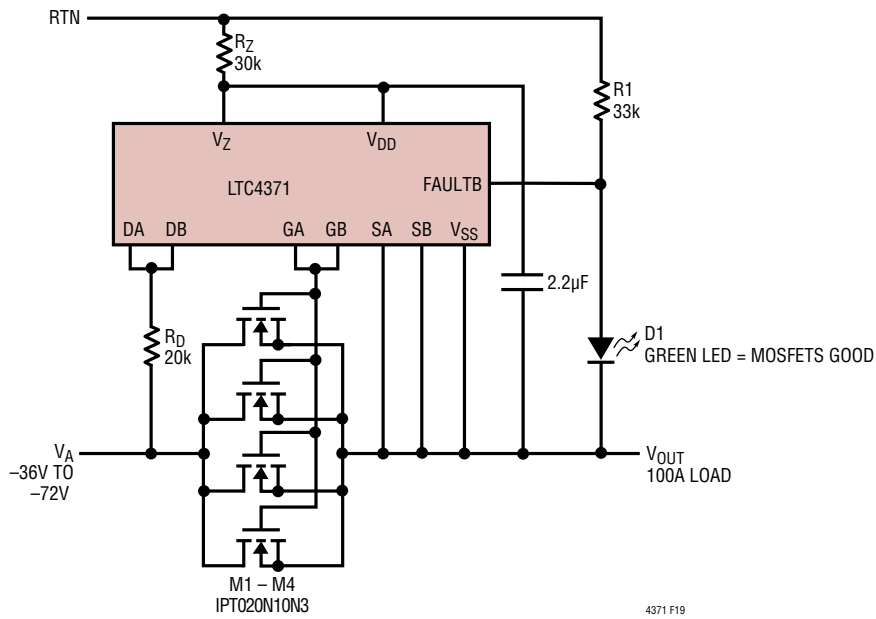


Figure 19. -36V to -72V Single Channel Parallel Application with 2x Gate Drive

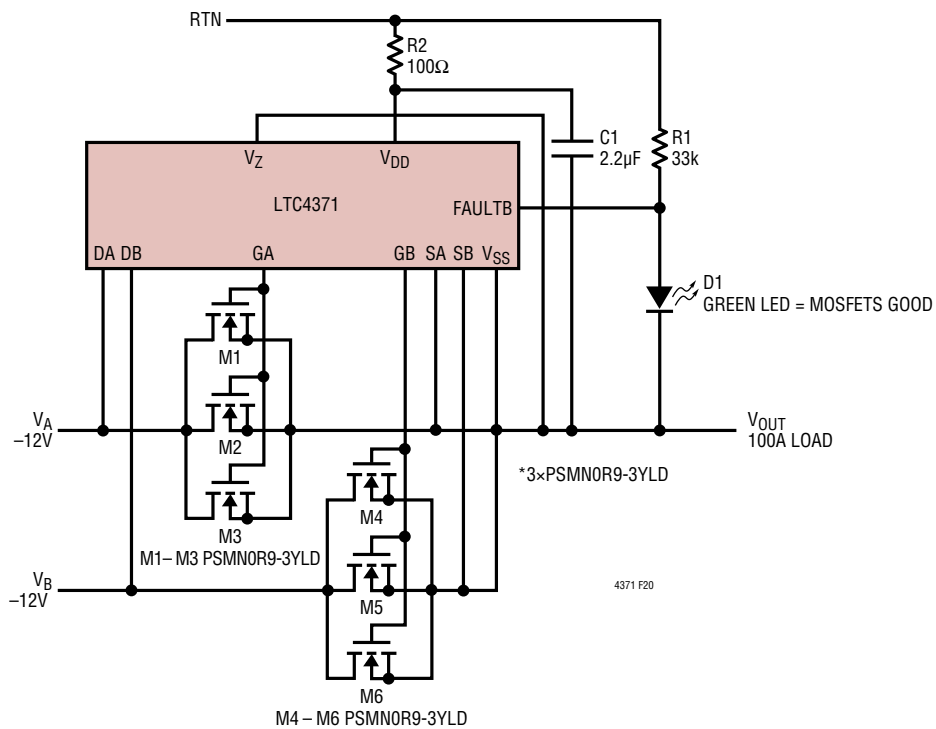


Figure 20. -12V/100A Application with 5mA Gate Pull-Up Enabled

TYPICAL APPLICATIONS

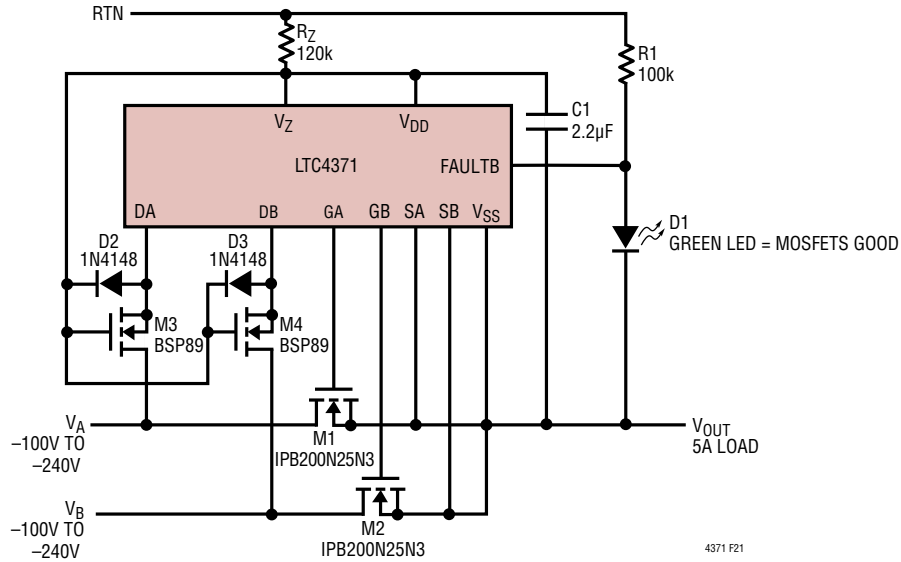


Figure 21. -100V to -240V/5A Ideal Diode-OR Controller

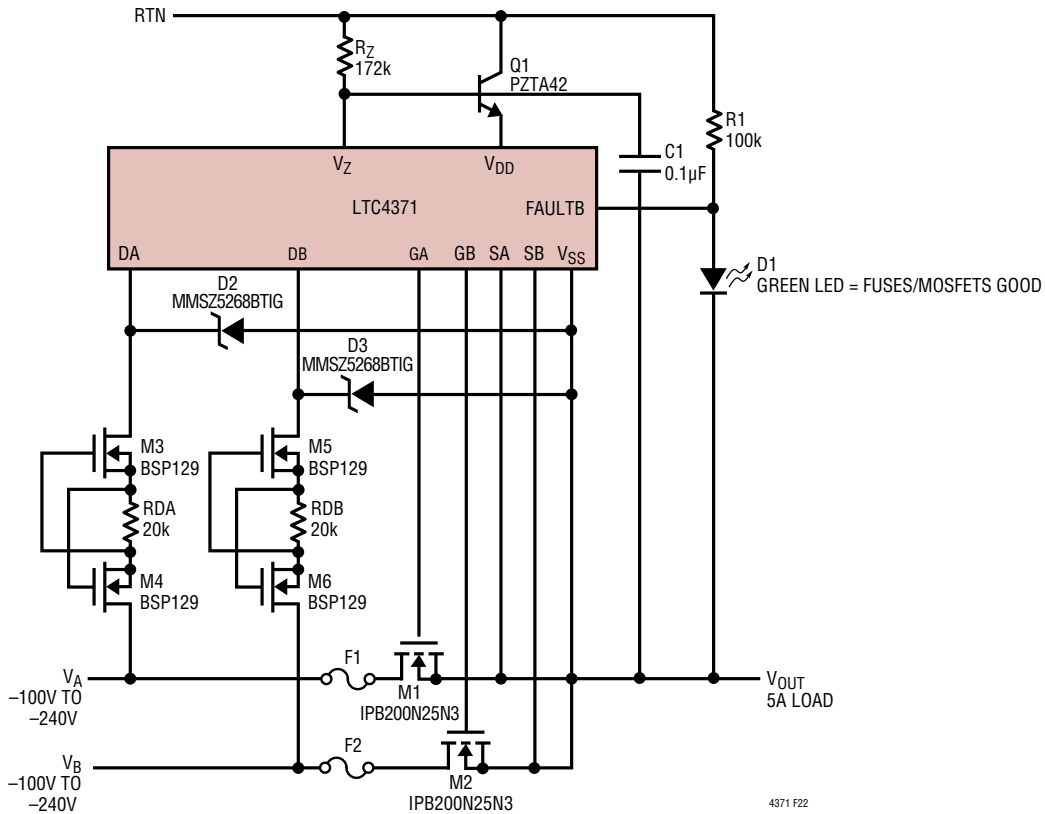
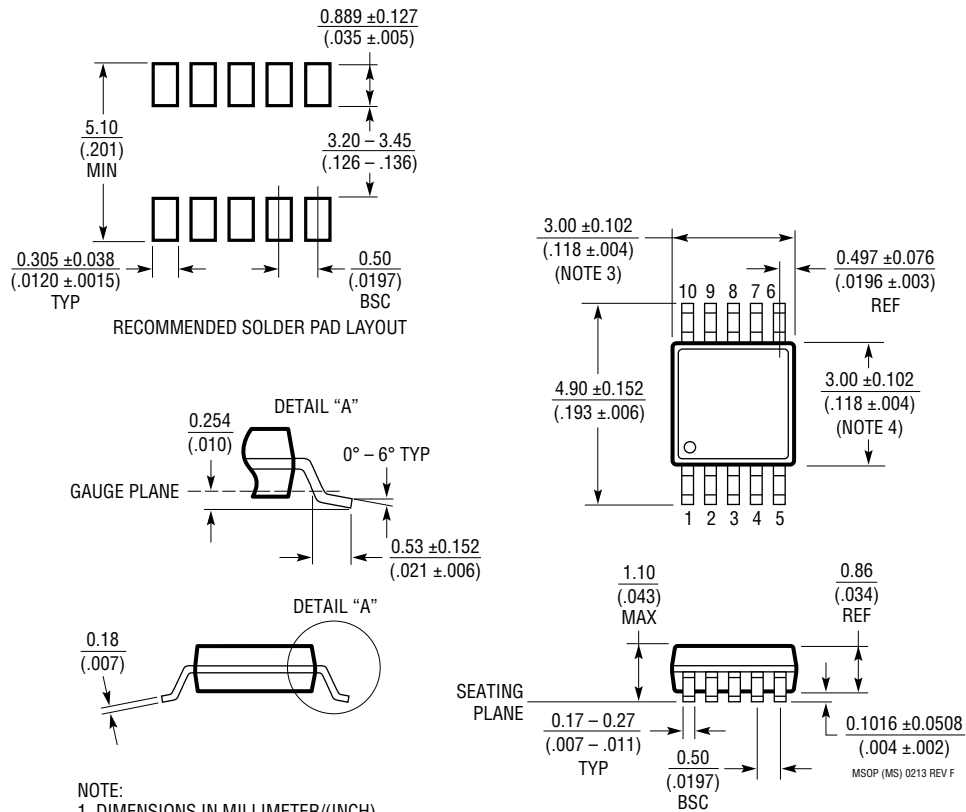


Figure 22. -100V to -240V/5A Ideal Diode-OR Controller with Open Fuse and MOSFET Detection

PACKAGE DESCRIPTION

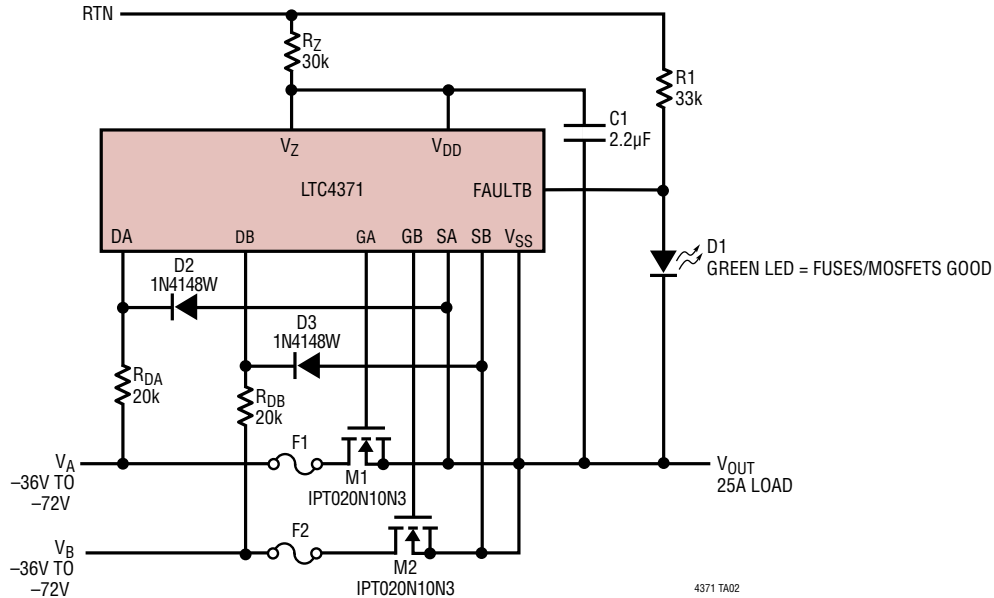
Please refer to <http://www.linear.com/product/4371#packaging> for the most recent package drawings.

MS Package 10-Lead Plastic MSOP (Reference LTC DWG # 05-08-1661 Rev F)



TYPICAL APPLICATION

–48V Ideal Diode-OR with Fuse and Open MOSFET Detection



RELATED PARTS

PART NUMBER	DESCRIPTION	COMMENTS
LTC4354	Negative Voltage Diode-OR Controller and Monitor	Controls Two N-Channel MOSFETs, 1.2µs Turn-Off, –80V Operation
LTC4355	Positive Voltage Diode-OR Controller and Monitor	Controls Two N-Channel MOSFETs, 0.4µs Turn-Off, 80V Operation
LTC4357	Positive Voltage Ideal Diode Controller	Controls Single N-Channel MOSFET, 0.5µs Turn-Off, 80V Operation
LT[®]4250	–48V Hot Swap Controller	Active Current Limiting, Supplies from –20V to –80V
LTC4251/LTC4251-1/ LTC4251-2	–48V Hot Swap Controllers in SOT-23	Fast Active Current Limiting, Supplies from –15V
LTC4252-1/LTC4252-2/ LTC4252-A1/LTC4252-A2	–48V Hot Swap Controllers in MS8/MS10	Fast Active Current Limiting, Supplies from –15V, Drain Accelerated Response
LTC4261/LTC4261-2	Negative Voltage Hot Swap Controllers with ADC and I ² C Monitoring	10-Bit ADC, Floating Topology, Adjustable Inrush