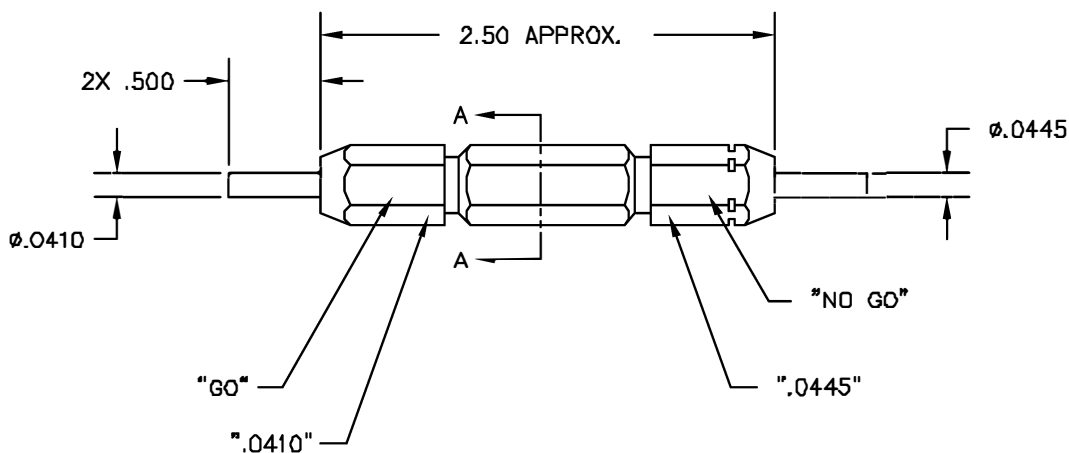


REVISIONS				
REV. SYM.	E.C.D. NUMBER	DESCRIPTION	BY DATE	APP'D DATE
1		ORIGINAL RELEASE	BG 11/12/88	MGS 11/88



UNCONTROLLED DOCUMENT  
WILL NOT BE UPDATED

<b>RESTRICTED &amp; CONFIDENTIAL</b> CONFIDENTIAL PROPERTY OF DANIELS MANUFACTURING CORP. NOT TO BE DISCLOSED TO OTHERS, REPRODUCED OR USED FOR ANY OTHER PURPOSE, EXCEPT AS AUTHORIZED IN WRITING BY DANIELS MANUFACTURING. MUST BE RETURNED TO DANIELS MANUFACTURING CORP. ON COMPLETION OF ORDER OR OTHER PURPOSE FOR WHICH LENT.	MATERIAL	ITEM	PART NO.	QTY.	DESCRIPTION/REMARKS			
	HEAT TREAT	DRN.	BG	DATE 11/12/88	 DANIELS MANUFACTURING CORP. ORLANDO, FLORIDA CAGE 11851			
		CHK'D.	MGS	DATE 11/12/88				
	FINISH	APP'D.	DJR	DATE 11/12/88		TITLE		
DO NOT SCALE DRAWING		APP'D.	DATE	GO/NO-GO GAGE ENVELOPE DRAWING				
		WHERE USED: MH750		SIZE	SCALE	CAD P/N	SHEET	OF
				B	NTS	G80-ENV	1	1
				POSTING	P/N		G80-ENV	REV.
								1