

BLOCK SD CONNECTOR

1. PURPOSE 目的

Define the packaging specification and packaging method of BLOCK SD CONNECTOR.

订定 BLOCK SIM AND SD CONNECTOR 产品之包装规格及包装方式。

2. APPLICABLE PRODUCT 适用范围

Product Part No.	Description
2286981-1	BLOCK SD CONNECTOR(P14-CSSH-029)
2287217-1	BLOCK SIM CONNECTOR SIDE ENTRY

3. PACKAGING MATERIAL 包装材料

Package	Part No.	Description	Usage	
			2286981-1	2287217-1
INNER	1533558-1	EMBOSS TAPE(24W)	36.72 MR/3000	-
	1533566-1	EMBOSS TAPE(16W)	-	36.72 MR/3000
	(1533128-3)	REEL, PLASTIC(W16.4 X D330)	-	1/3000
	1-1533127-6	COVER TAPE(13.3mm)	-	40.0 MR/3000
	(1-1533128-4)	REEL, PLASTIC(W24.4 X D330)	1/3000	-
	2-1533127-4	COVER TAPE(21.3mm)	40.0 MR/3000	-
	623865-4	INNER LABEL	1/3000	1/3000
MIDDLE	1533282-5	PE BAG(457x407)	1/3000	1/3000
	1-623124-0	DESICCANT(10g)	2/3000	2/3000
	623880-7	Air bag	1/3000	1/3000
OUTER	2-1533040-7	SHIPPING BOX(380X380X200)	1/12000	1/15000
	8-912066-8	AIR CAP	2/12000	2/15000
	623897-6	PAPER PAD, FOLDER	4/12000	4/15000
	1-623865-7	OUTER LABEL	1/12000	1/15000

	Inner	Middle	Outer
LABEL	623865-4	-	1-623865-7
SEALING	Tape	-	Tape

4. PACKAGING QUANTITY 包装数量

PN	Inner	Middle	Outer
2286981-1	3000 pcs/reel	1 reel/bag	3000 X 4 bags = 12000 pcs/box
2287217-1	3000 pcs/reel	1 reel/bag	3000 X 5 bags = 15000 pcs/box

DR Sam Wu	CHK Prince Lee	APVD Ansin Yang
---------------------	--------------------------	---------------------------

5. PACKING METHOD 包装方法

5.1. Place one plastic reel on machine.

将一个塑料盘安装在收料器上。

5.2. Reel one circle of cover tape & 160 min.(at least 40 pockets) of empty carrier sealed with cover tape onto reel core.

Note: Cover tape stick method must be thermo-compression bonding type

在卷盘的中心先卷一圈胶布，然后再空最少300MM(40个空pocket)的编带和胶布(COVER TPAE 为热封方式)。

5.3. Inner packaging specification will be fixed based on action packing machine's operation.

内包装的方法依照机器的运作来操作。

注： 1、当达到包装数量，再让其空走完剩余的编带和胶布，但至少不得少于40个空pocket，然后再绕一圈胶布。

2、包装方法(产品放入Carrier Tape 的方向及包好后产品引出的方向)请严格参照成品图纸。

5.4. Stick the end of cover tape.

用皱纹纸贴住胶布末端(注：在皱纹纸的尾端反贴大约长10mm)。

5.5. Take off the plastic reel, then Place an inner label on the reel full of products..

取下塑料盘放好，然后在卷盘一侧贴一内标签（产品拉出时面向操作员一侧）。

5.7. Load 1 reels with products & two bags of dessciant into bag and heat seal it.

将1卷装好产品的卷盘和两袋干燥剂放入袋子中并用热封好袋口。

注：贴有标签的一面朝上。

5.8. Place one reel into air cap bag and secure the bag opening with adhensive tape.

将已包装好的一卷盘产品放气泡袋中，并用透明封箱胶带封住袋口。

5.9. Set up a box and secure bottom flaps with tape.

折叠好一包装箱，并用胶带封住箱的底部。

5.10. Set up and seal paper cushion with tape and put four paper cushiones in the coner of box.

折叠并用胶带贴好纸护角，将纸护角置于箱内四角处。

Only for 2286981-1:

5.11.1. Wrap 4 bags of product with two pieces of air cap (8-912066-8) and place it into the box.

用两块气泡垫(8-912066-8) 十字交叉地将4卷产品裹包好，然后放入箱中，气泡朝外。

Only for 2287217-1:

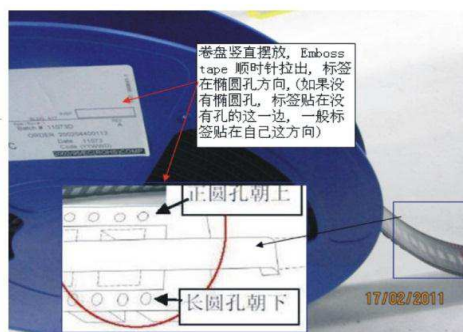
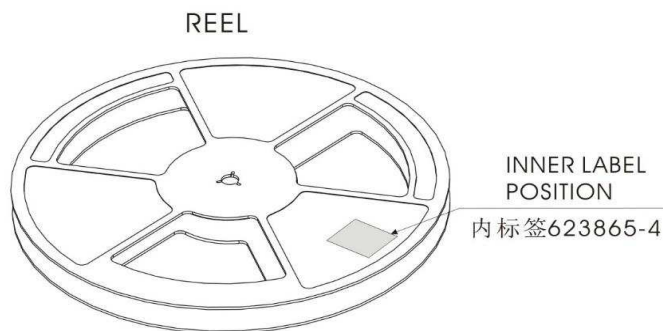
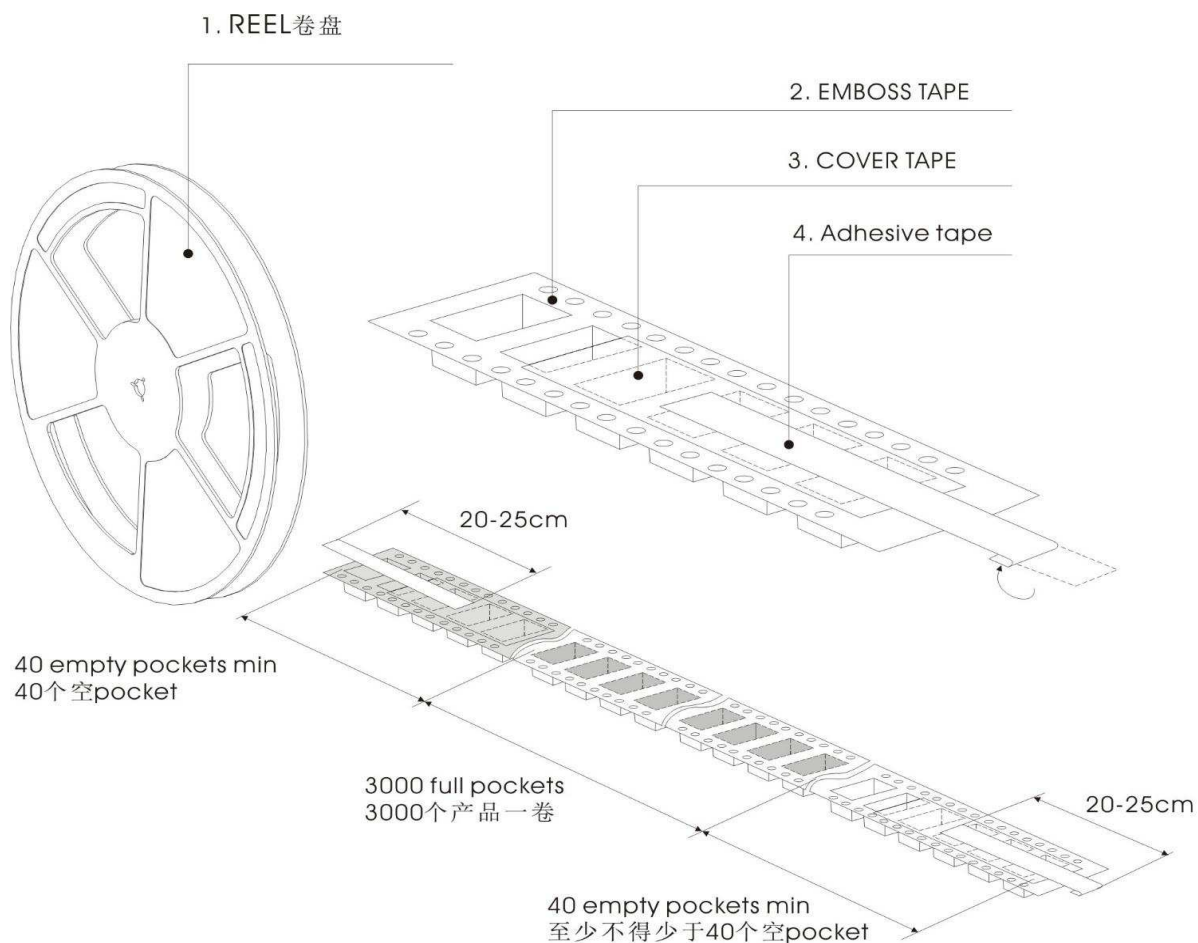
5.11.2. Wrap 5 bags of product with two pieces of air cap (8-912066-8) and place it into the box.

用两块气泡垫(8-912066-8) 十字交叉地将5卷产品裹包好，然后放入箱中，气泡朝外。

5. PACKING METHOD 包装方法

5.12. Seal the box with tape. And place product identification label in "product id" marked on box.
 用胶带封箱，在箱外印有“PRODUCT ID”标识处贴上外标签。

6. PACKAGING ILLUSTRATION 包装示意图



NB: put the label only on one side of the reel
 在卷盘一侧贴一内标签

6. PACKAGING ILLUSTRATION 包装示意图

