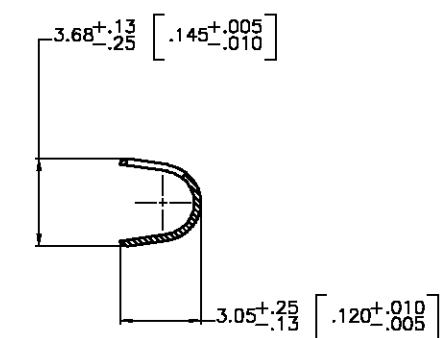
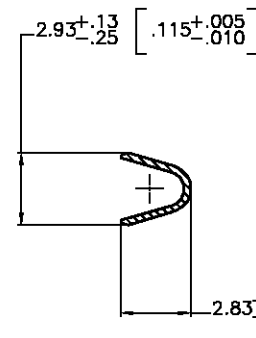
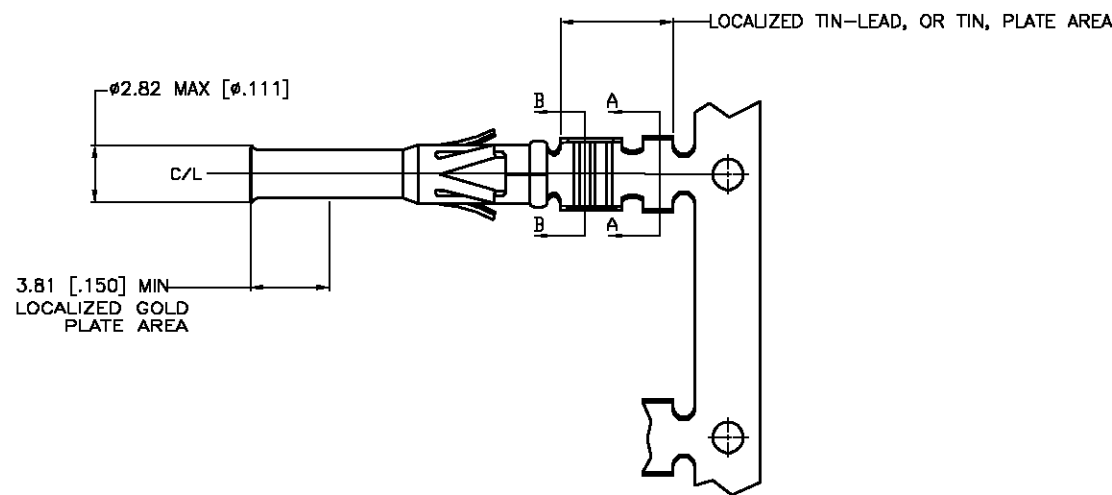
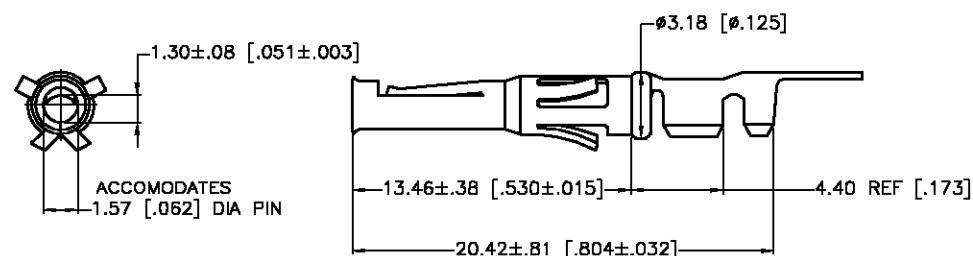
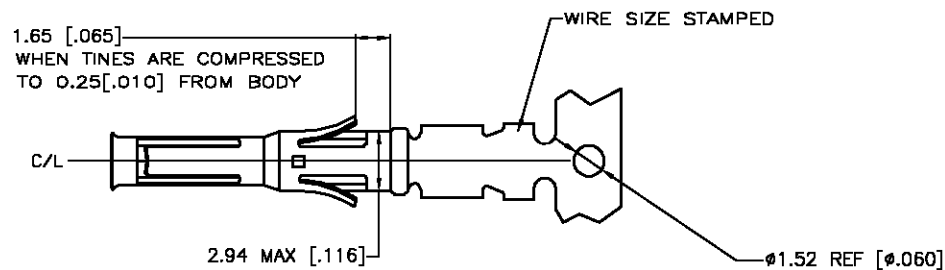


THIS DRAWING IS UNPUBLISHED. RELEASED FOR PUBLICATION
 © COPYRIGHT BY TYCO ELECTRONICS CORPORATION. ALL RIGHTS RESERVED.

LOC	DIST	REVISIONS			
P	LTR	DESCRIPTION	DATE	DWN	APVD
FT	10	B	REV PER EC 0G3B-0317-03	24APR03	VF GS



SECTION B-B

SECTION A-A

1. WIRE RANGE 18-16 AWG.
 2. INSULATION RANGE 2.54-2.03[100-.080] DIA.
 3. FOR LOOSE PIECE PART SEE DWG 66590.
- ⚠ 0.76µm [.000030] MIN GOLD IN LOCALIZED GOLD PLATE AREA, 1.27µm [.000050] MIN TIN-LEAD IN LOCALIZED TIN-LEAD PLATE AREA, BOTH OVER 1.27µm [.000050] MIN NICKEL.
 - ⚠ TIN PLATED.
 - ⚠ GOLD PLATING PER MIL-G-45204, TIN PER MIL-T-10727 AND NICKEL PER QQ-N-290.
 - ⚠ 0.76µm [.000030] MIN GOLD IN LOCALIZED GOLD PLATE AREA, 1.27µm [.000050] MIN TIN IN LOCALIZED TIN PLATE AREA, BOTH OVER 1.27µm [.000050] MIN NICKEL.

REVERSE REELED FOR MINI-APPLICATOR	⚠	66580-7
REVERSE REELED FOR MINI-APPLICATOR	⚠	66580-4
REVERSE REELED FOR MINI-APPLICATOR	⚠	66580-3
REVERSE REELED FOR MINI-APPLICATOR	⚠	66580-2
REVERSE REELED FOR MINI-APPLICATOR	⚠	66580-1
DESCRIPTION	FINISH	

THIS DRAWING IS A CONTROLLED DOCUMENT.		DWN V. FURLER 14MAY2003	Tyco Electronics Corporation Harrisburg, PA 17105	
DIMENSIONS: MM [INCHES]	TOLERANCES UNLESS OTHERWISE SPECIFIED:	CHK G. STEINHAUER 16MAY03	NAME G. STEINHAUER 16MAY03	
	0 PLC ± -	PRODUCT SPEC -	CONTACT, SOCKET, STRIP, TYPE VI, MULTIMATE	
	1 PLC ± -		APPLICATION SPEC -	SIZE A3
MATERIAL BRASS MIL-C-50	2 PLC ± 0.13 [.005]	WEIGHT -	DRAWING NO C-66580	
	3 PLC ± -		RESTRICTED TO -	
FINISH SEE TABLE ⚠	4 PLC ± -	CUSTOMER DRAWING		
	ANGLES ± -	SCALE 8:5	SHEET 1 OF 1	REV B