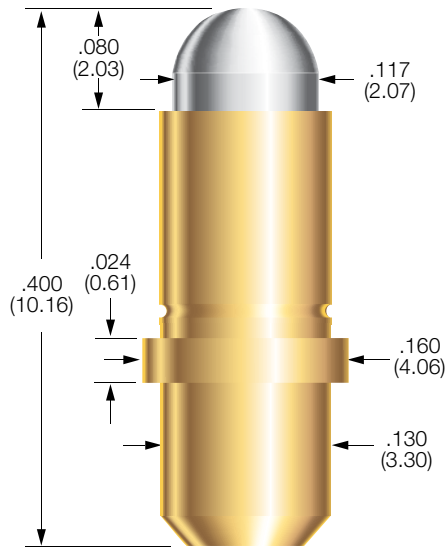
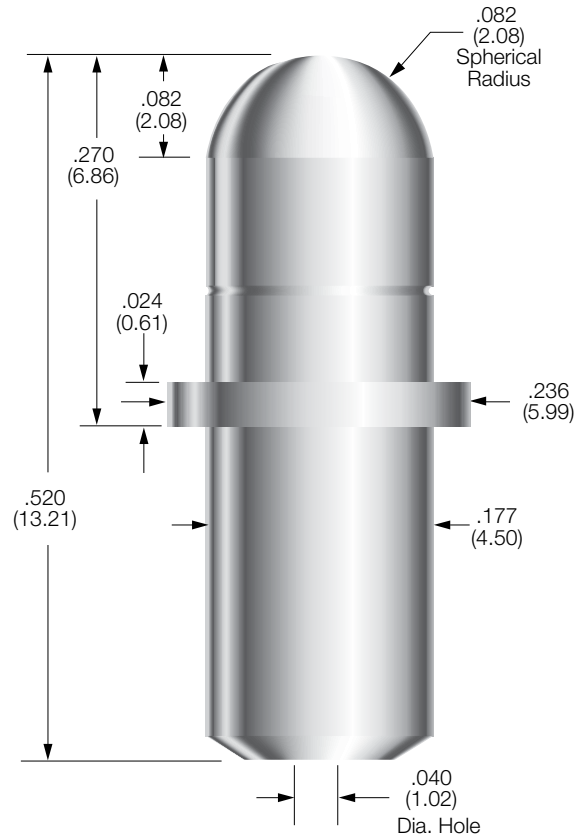


Battery and Connector Probes

101402 PROBE



100804 PROBE



PROBE SPECIFICATIONS

Minimum Centers: .175 (4.45)
Current Rating: 20 amps continuous
 (Individual probe in free air @ ambient temperature)
Spring Force: 9.7 oz. (275g) @ .050 (1.27) travel
Typical Resistance: < 10 mΩ
Maximum Travel: .080 (2.03)
Working Travel: .050 (1.27)

MATERIALS

Barrel: Nickel silver, gold plated
Spring: Stainless steel, passivated
Plunger: Brass, Duralloy™

PROBE SPECIFICATIONS

Minimum Centers: .250 (6.35)
Current Rating: 30 amps continuous
 (Individual probe in free air @ ambient temperature)
Spring Force: 8.9 oz. (252g) @ .054 (1.37) travel
Typical Resistance: < 5 mΩ
Maximum Travel: .082 (2.08)
Working Travel: .054 (1.37)

MATERIALS

Barrel: Brass, Duralloy™ plated
Spring: Stainless steel, passivated
Plunger: Brass, Duralloy™ plated

HOW TO ORDER

101402-000

HOW TO ORDER

100804-002

Specifications subject to change without notice. Dimensions in inches (millimeters)