

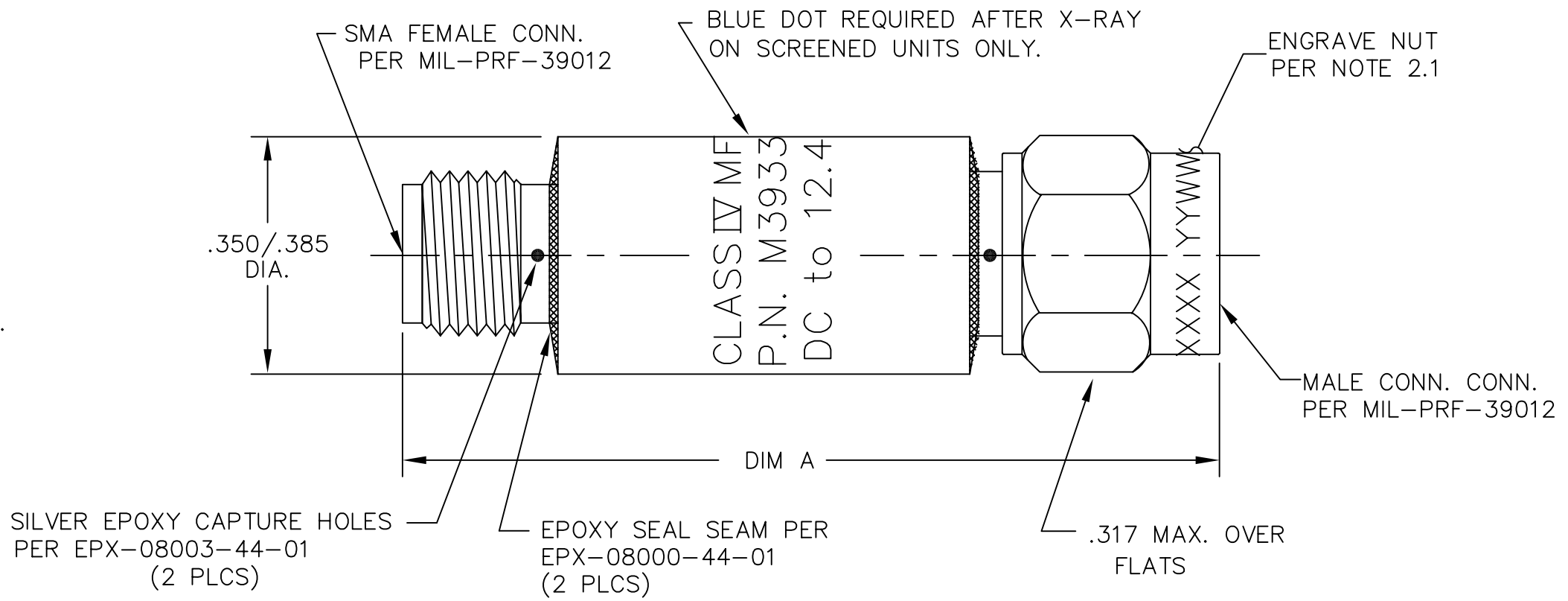
NOTES:

- 1.0 SPECIFICATIONS:
 1.1 FREQUENCY RANGE: DC to 12.4
 1.2 IMPEDANCE: 50 OHMS NOMINAL
 1.3 VSWR MAX.:
 DC to 4.0 GHz: 1.15:1
 4.0 to 8.0 GHz: 1.20:1
 8.0 to 12.4 GHz: 1.25:1
 1.4 ATTENUATION & ACCURACY: SEE TABLE
 1.5 MAXIMUM INPUT POWER
 1.5.1 2 WATTS AVG. AT +25°C DERATED LINEARLY TO 0.5 WATTS AT +125°C
 1.5.2 200 WATTS PEAK
 1.6 OPERATING TEMP. RANGE:
 -55°C to +125°C
 1.7 WIEGHT: SEE TABLE

- 2.0 MARKING:
 2.1 ENGRAVE SERIAL NO. AND DATE CODE ON NUT AS SHOWN.
 2.2 MARK BODY AS SHOWN. (REF.: INK-09252-27-XX)

- 3.0 TESTING:
 TEST IN CONJUNCTION WITH
 ATP-07839-60-01 FOR SCREENED UNITS.
 ATP-09210-60-01 FOR NON-SCREENED UNITS.

MMI MODEL NO.	ATTEN. (dB)	DEVIATION DC to 12.4 GHz	WEIGHT Oz. MAX.	DIM A MAX.	MMI MODEL NO.	ATTEN. (dB)	DEVIATION DC to 12.4 GHz	WEIGHT Oz. MAX.	DIM A MAX.
M3933/14-01	3	±0.3	0.5	1.24	M3933/14-11	8	±0.4	0.5	1.24
M3933/14-02	6	±0.3	0.5	1.24	M3933/14-12	9	±0.4	0.5	1.24
M3933/14-03	10	±0.3	0.5	1.24	M3933/14-13	30	±0.9	0.8	1.85
M3933/14-04	20	±0.5	0.5	1.24	M3933/14-14	40	±0.9	0.8	1.85
M3933/14-05	15	±0.5	0.5	1.24	M3933/14-17	28	±0.9	0.7	1.85
M3933/14-06	1	±0.3	0.5	1.24	M3933/14-18	16	±0.5	0.5	1.24
M3933/14-07	2	±0.3	0.5	1.24	M3933/14-19	14	±0.5	0.5	1.24
M3933/14-08	4	±0.3	0.5	1.24	M3933/14-20	13	±0.5	0.5	1.24
M3933/14-09	5	±0.3	0.5	1.24	M3933/14-21	12	±0.5	0.5	1.24
M3933/14-10	7	±0.4	0.5	1.24	M3933/14-22	11	±0.5	0.5	1.24
					M3933/14-23	1.5	±0.3	0.5	1.24
					M3933/14-24	31	±0.9	0.8	1.85



- 4.0 BAG MARKING:
 MODEL M3933/14-YYY
 ATTENUATOR FIXED COAXIAL LINE
 2 WATTS AVERAGE INPUT POWER
 FREQ. RANGE: DC-12.4 GHz
 MFR 34078
 LOT NO. _____
 DATE CODE: YYWW
 SEE MODEL NO. FOR LAST 3 DIGITS
 YEAR & WEEK

DATE	5/30/89	11/15/90	1/16/91	1/30/91	1/25/93	4/8/94	1/16/95	2/3/99	12/12/02	3/10/06	8/17/07
DESCRIPTION	RELEASED	ECR 7780	ECR 7890	ECN 10218	UPDATE MOD. NO.	ECN 13483	ECN 14231	ECN 16967	ECN 18865	ECN 20764	ECN 21462
REV.	I	A	B	C	C1	D	E	F	G	H	J

UNLESS OTHERWISE NOTED DIMENSIONS ARE IN INCHES AND TOLERANCES ARE:

3 PLACE DECIMALS ±.005
 2 PLACE DECIMALS ±.02
 FRACTIONS ±1/64
 PARALLELITY: T.I.R. _____
 FLATNESS: T.I.R. _____
 CONCENTRICITY: T.I.R. _____
 ANGLES AND PERPENDICULARITY: ±1°

FSCM NO. 34078 **MIDWEST MICROWAVE**

NOTICE: The information contained in this drawing is proprietary and must not be used without the permission of Midwest Microwave

TITLE: ATTENUATOR

DRAWING NUMBER: M3933/14-XX(N or S)

SCALE: 5=1 SHEET 1 of 1

DRAWN/DATE: A.BEATTY 4/8/94
 ENG./DATE: G.KOZAK 4/18/94
 CHECKED/DATE: M.HOLLMAN 4/15/94
 APPROVED/DATE: _____