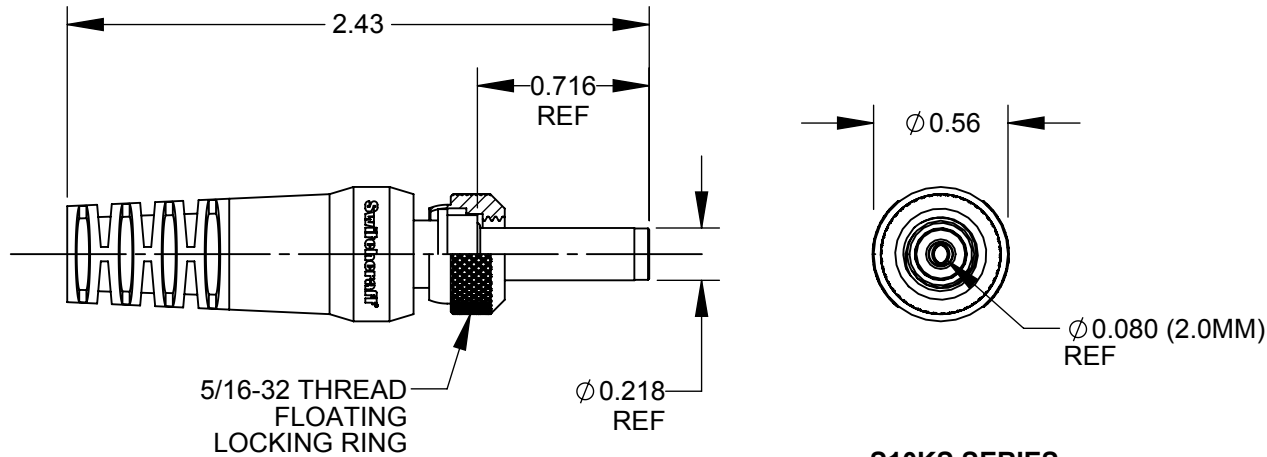
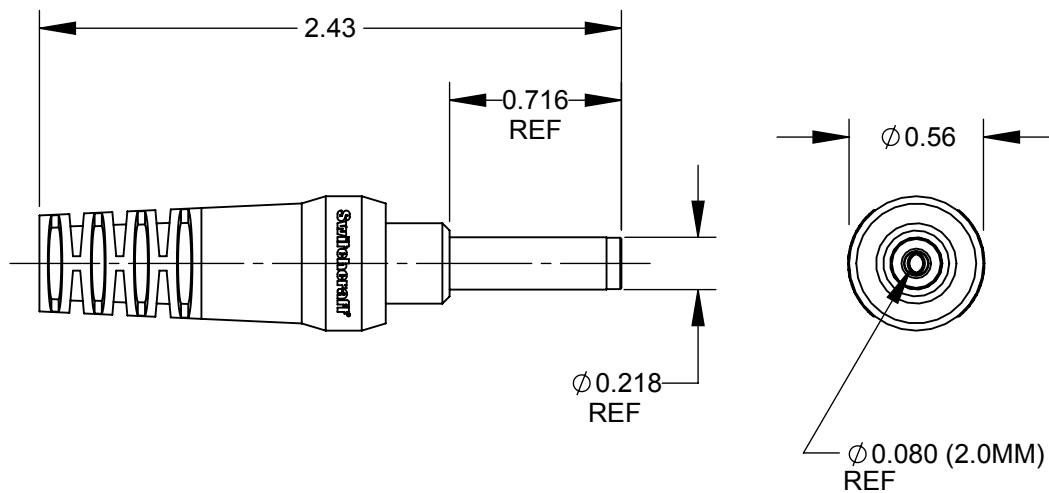


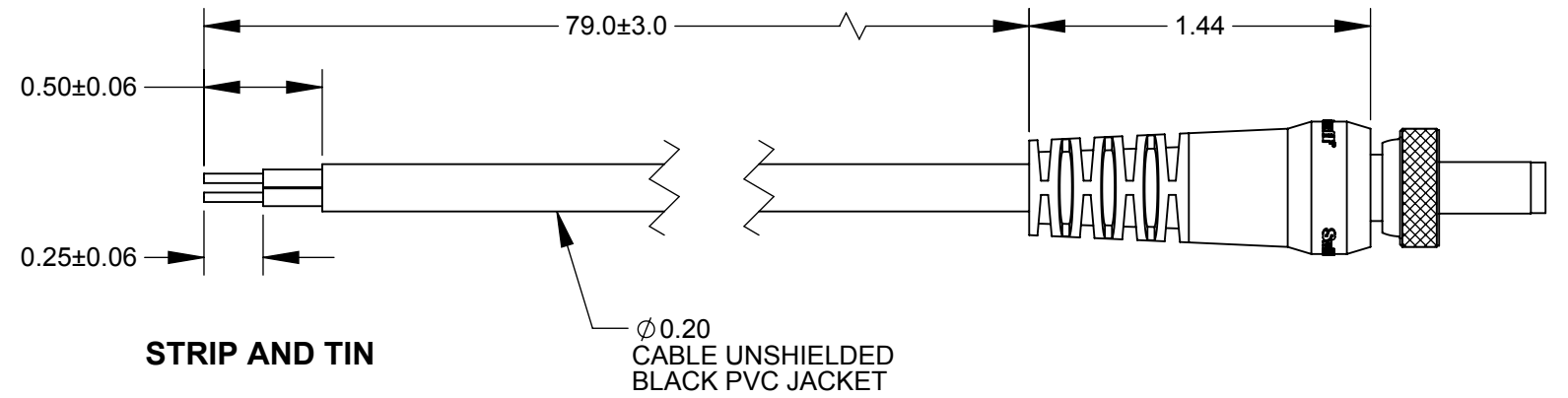
**761KS, 767KS, AND S761KS SERIES  
SEALED PLUGS**



**S10KS SERIES  
SEALED HI-AMP PLUG**



**S10 SERIES NON-SEALED  
NON-LOCKING HI-AMP PLUG**



WIRING TABLE	
POWER PLUG	WIRE COLOR
TIP	RED
SLEEVE	BLACK

**CA 07984**

CABLE ASSEMBLY

STRIP AND TIN  
1/2 INCH BY 1/4 INCH

79 INCHES (2 METERS) OF CABLE

SEALED PLUGS - 2 CONDUCTOR 20 AWG  
HI - AMP PLUGS - 2 CONDUCTOR 16 AWG

**761KS** - SEALED 0.100 (2.5MM)  $\phi$  ID  
**767KS** - SEALED 0.084 (2.1MM)  $\phi$  ID  
**S761KS** - SEALED 0.080 (2.0MM)  $\phi$  ID  
**S10KS** - HI AMP - SEALED 0.080(2.0MM)  $\phi$  ID  
**S10** - HI AMP NON-SEALED - 0.080(2.0MM)  $\phi$  ID  
 NON-LOCKING

**CUSTOMER DRAWING**

REV	ECO NUMBER	DATE	BY	APVD
B	27615	11-30-15	TO	TJK
A	27477	4/2/15	TJK	TJK

UNLESS OTHERWISE SPECIFIED

1. ALL DIMENSIONS IN INCHES

- TWO PLACE DECIMALS  $\pm 0.02$

- THREE PLACE DECIMALS  $\pm 0.005$

DO NOT SCALE DRAWING

THIS DRAWING DESCRIBES A DESIGN CONSIDERED PROPRIETARY IN NATURE, DEVELOPED AND MANUFACTURED BY SWITCHCRAFT INC. AND IS RELEASED ON A CONFIDENTIAL BASIS FOR IDENTIFICATION PURPOSES ONLY.				
SIZE	WIDTH	MULT	LBS/M	TEMPER
FINISH SPEC No.		SCALE 1.25:1		MATERIAL SPEC No.
FIRST USED ON		DATE DRAWN		APVD
3/19/15		BY AB		TJK
		CHKD AB		3/19/15
		APVD TJK		4/2/15
NAME CABLE ASSEMBLY - MOLDED STRAIGHT POWER PLUGS, RoHS			PART No.	REV
			CA__07984	B

# Mouser Electronics

Authorized Distributor

Click to View Pricing, Inventory, Delivery & Lifecycle Information:

[Switchcraft:](#)

[CAS10KS07984](#) [CAS1007984](#) [CA761KS07984](#) [CAS761KS07984](#)