

SAFETY ORGANIZATION(S):

THIS FILTER HAS BEEN FORMALLY RECOGNIZED, CERTIFIED OR APPROVED BY THE LISTED AGENCY. THEREFORE, ALL TEST/REQUIREMENTS SPECIFIED IN THE LATEST REVISION OF THE FOLLOWING AGENCY STANDARDS HAVE BEEN MET.

- UL 544
- CSA 22.2, NO. 0, 0.4, B
- VDE 0565-3

UL RECOGNIZED
 CSA CERTIFIED
 VDE APPROVED
 SEV APPROVAL PENDING

OPERATING SPECIFICATIONS:

- LINE VOLTAGE/CURRENT: 10 AMP., 120/250 VAC
- LINE FREQUENCY: 50-60Hz
- MAX. LEAKAGE CURRENT, EACH LINE TO GROUND: 2µA @ 120V 60HZ
- OPERATING AMBIENT TEMP. RANGE: 5µA @ 250V 50HZ
- IN AN AMBIENT, T_a , HIGHER THAN 40°C, THE MAXIMUM OPERATING CURRENT, I_o , IS AS FOLLOWS:

$$I_o = I_r \sqrt{\frac{85-T_a}{45}}$$

RELIABILITY SPECIFICATIONS:

- STORAGE TEMPERATURE: -25°C TO +85°C
- HUMIDITY: 21 DAYS @ 40°C 95% RH
- CURRENT OVERLOAD TEST: 6 TIMES RATED CURRENT FOR 8 SECONDS

TEST SPECIFICATIONS:

- INDUCTANCE: L-9.5mH NOMINAL
- CAPACITANCE: N-9.57mH NOMINAL
- LINE TO LINE: 1.77µF ±20%

- DISCHARGE RESISTOR: 165KΩ
- LINE/GROUND AND LINE/LINE INSULATION RESISTANCE: 6000 MΩ (MIN) AT 100 VDC
- (W/O DISCHARGE RESISTOR) 20°C AND 50% RH

RECOMMENDED RECEIVING INSPECTION HIPOT:

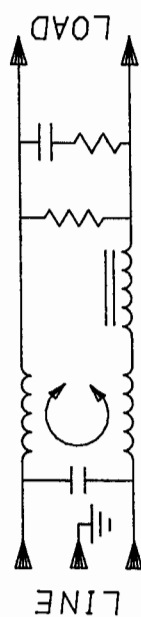
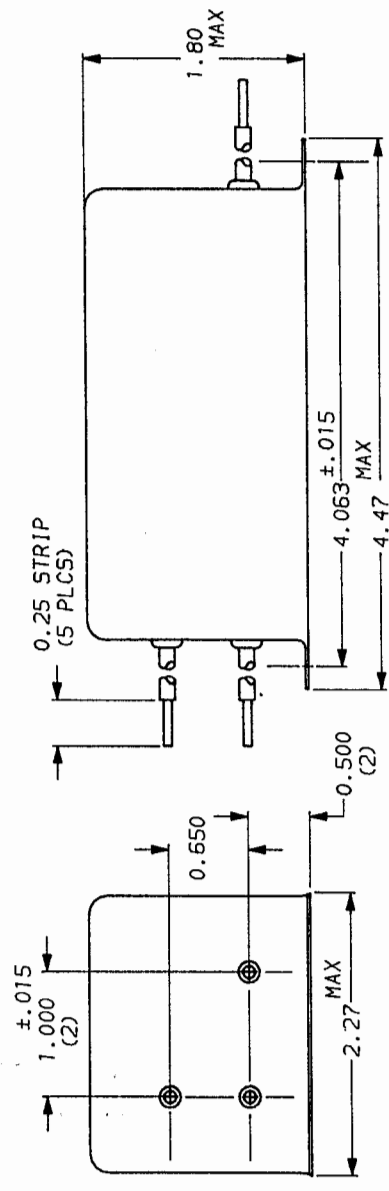
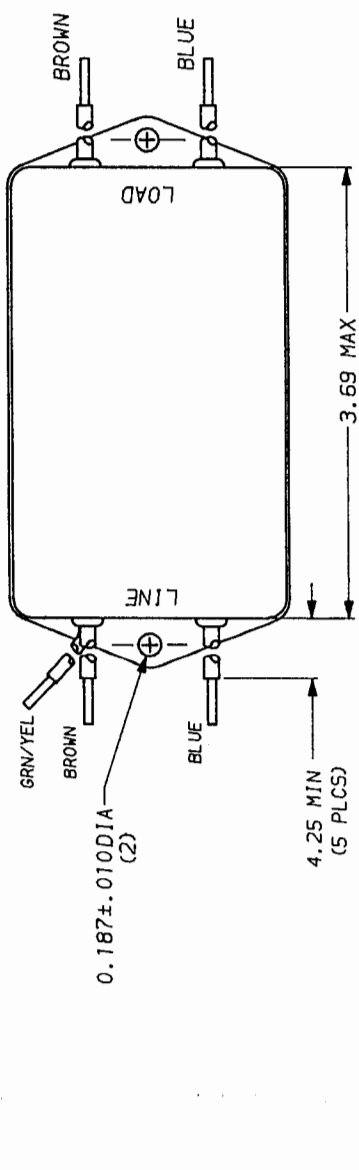
- LINE TO GROUND: 2250 VDC FOR 1 MINUTE
- LINE TO LINE: 1450 VDC FOR 1 MINUTE

FILTER APPROVAL:
 THE BEST WAY TO SELECT AND QUALIFY A FILTER IS FOR YOUR ENGINEERING TO TEST THE UNIT IN YOUR EQUIPMENT.

50n - 50n (MINIMUM) INSERTION LOSS

FREQUENCY MHz	.01	.02	.05	.15	.50	1	2	5	8	10	20	30
COMMON dB	9	15	24	36	42	34	22	11	14	12	8	8
DIFF. dB	7	8	17	52	70	70	65	55	40	35		

This document is proprietary to CORCOM INC. and is not to be reproduced nor used for manufacturing purposes except on CORCOM's order or prior written consent.



TOLERANCE EXCEPT AS NOTED
 DECIMAL: .XXX .XX .X ANGLES ± 1°
 ENGLISH: ±.025
 METRIC: ±
 MATERIAL: AS SUPPLIED

FINISH:

28 corcom
 LIBERTYVILLE, IL 60048

POWER LINE FILTER

SCALE: NTS 7-21-92 DRG. NO. 10EHT3.01
 DESIGNED BY: CFW
 DRAWN BY: CFW