

SAFETY ORGANIZATION(S):

THIS FILTER HAS BEEN FORMALLY RECOGNIZED, CERTIFIED OR APPROVED BY THE LISTED AGENCY. THEREFORE, ALL TEST/REQUIREMENTS SPECIFIED IN THE LATEST REVISION OF THE FOLLOWING AGENCY STANDARDS HAVE BEEN MET.

- UL 544
- CSA 22.2, NO. 0, 0.4, B
- VDE 0565-3
- UL RECOGNIZED
- CSA CERTIFIED
- VDE APPROVED
- SEV APPROVAL PENDING

OPERATING SPECIFICATIONS:

- LINE VOLTAGE/CURRENT: 10 AMP., 120/250 VAC
- 8 AMP./40°C, 250 VAC
- LINE FREQUENCY: 50-60Hz
- MAX. LEAKAGE CURRENT, EACH LINE TO GROUND: 2µA @ 120V 60HZ
- 5µA @ 250V 50HZ
- OPERATING AMBIENT TEMP. RANGE: -10°C TO +40°C @ RATED CURRENT, I_r

IN AN AMBIENT, T_a, HIGHER THAN 40°C, THE MAXIMUM OPERATING CURRENT, I_o, IS AS FOLLOWS:

$$I_o = I_r \sqrt{\frac{85 - T_a}{45}}$$

RELIABILITY SPECIFICATIONS:

- STORAGE TEMPERATURE: -25°C TO +85°C
- HUMIDITY: 21 DAYS @ 40°C 95% RH
- CURRENT OVERLOAD TEST: 6 TIMES RATED CURRENT FOR 8 SECONDS

TEST SPECIFICATIONS:

- INDUCTANCE: L-9.5mH NOMINAL
- CAPACITANCE: N-9.57mH NOMINAL
- LINE TO LINE: 1.77µF ±20%

- DISCHARGE RESISTOR: 165KΩ
- LINE/GROUND AND LINE/LINE: 6000 MΩ (MIN) AT 100 VDC
- INSULATION RESISTANCE: 20°C AND 50% RH
- (W/O DISCHARGE RESISTOR)

RECOMMENDED RECEIVING INSPECTION HIPOT:

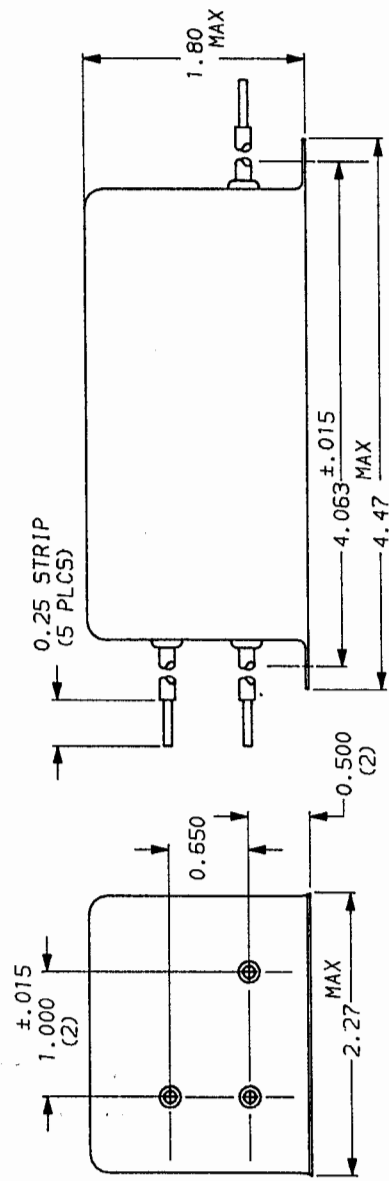
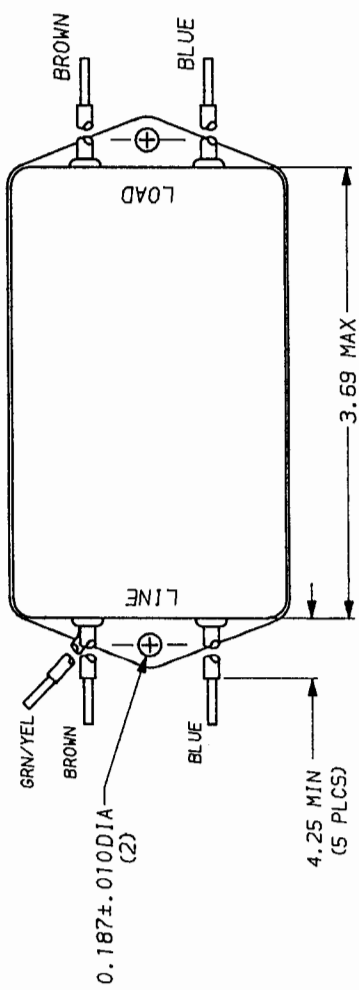
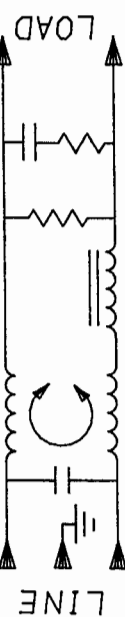
- LINE TO GROUND: 2250 VDC FOR 1 MINUTE
- LINE TO LINE: 1450 VDC FOR 1 MINUTE

FILTER APPROVAL:
 THE BEST WAY TO SELECT AND QUALIFY A FILTER IS FOR YOUR ENGINEERING TO TEST THE UNIT IN YOUR EQUIPMENT.

50n - 50n (MINIMUM) INSERTION LOSS

FREQUENCY MHz	.01	.02	.05	.15	.50	1	2	5	8	10	20	30
COMMON dB	9	15	24	36	42	34	22	11	14	12	8	8
DIFF. dB	7	8	17	52	70	70	65	55	40	35		

This document is proprietary to CORCOM INC. and is not to be reproduced nor used for manufacturing purposes except on CORCOM's order or prior written consent.



226 **corcom**
 LIBERTYVILLE, IL 60048

POWER LINE FILTER

SCALE: NTS 7-21-92
 DRG. NO. 10EHT3.01
 DESIGNED BY: CFW
 CHECKED BY: CFW