

REVISIONS

A	CO-95303	CSL	15 NOV 99
B	CO-94411	LJK	24 NOV 99

CHECK

DLT	10 JUN 94	CHECK	KAG	23 JUN 94	CHECK
-----	-----------	-------	-----	-----------	-------

FORMTEK
 DRAWN

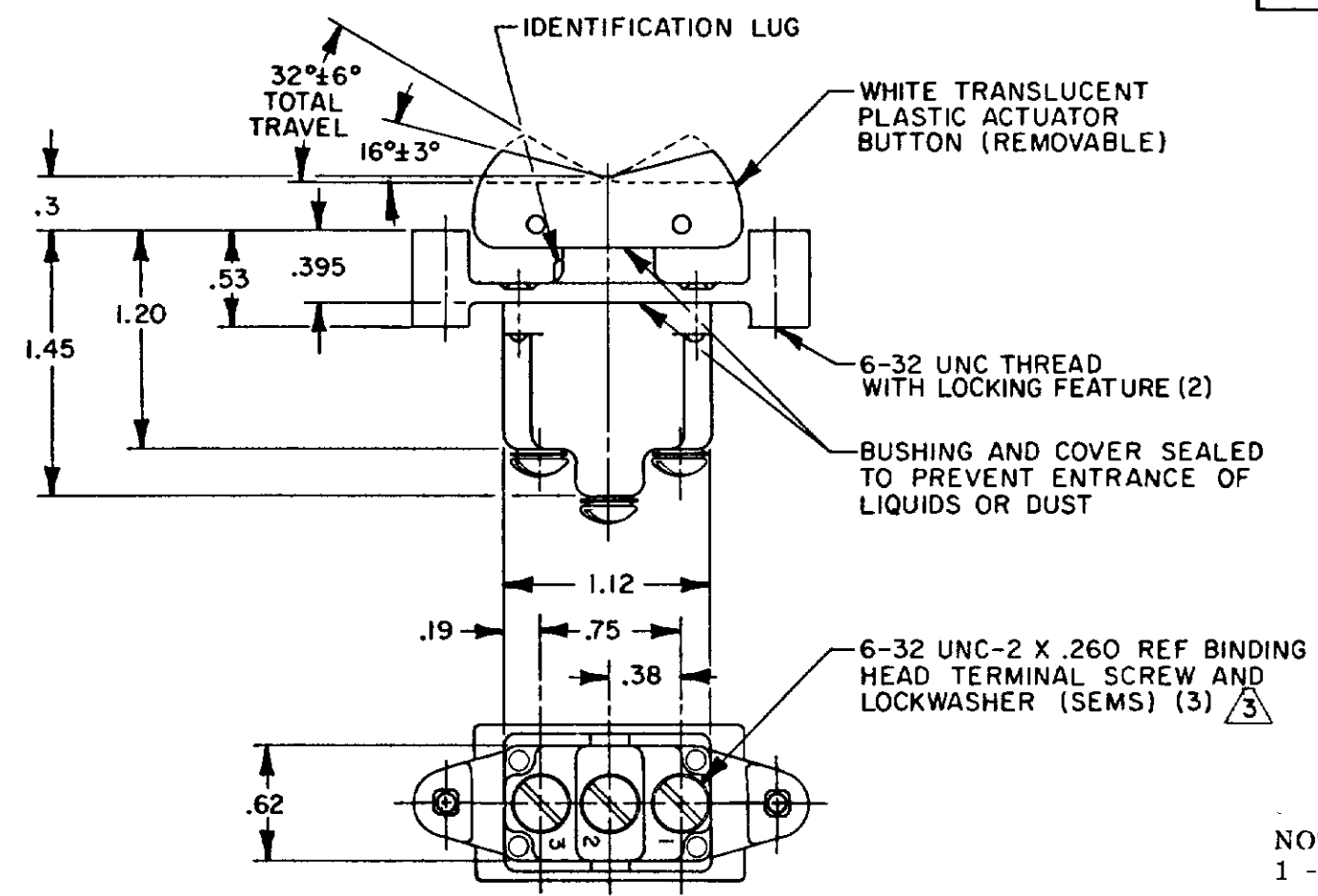
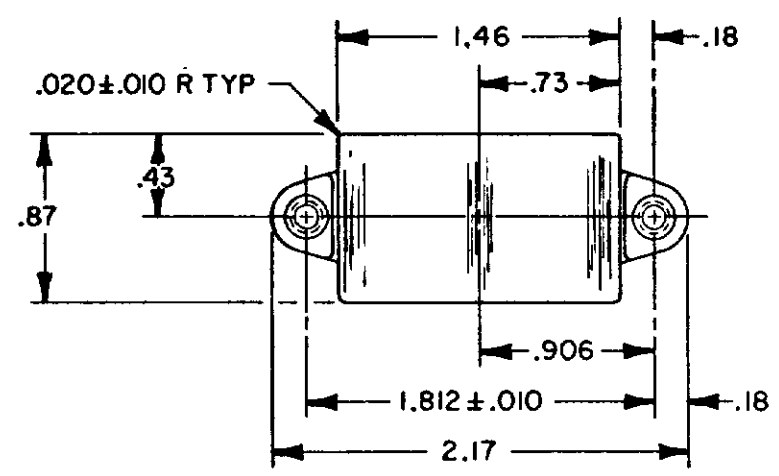
RELEASE NO CO-78465
 REPLACES 1TP201 SERIES

MICRO SWITCH
 FREEPORT ILLINOIS U S A
 A DIVISION OF HONEYWELL
 FED MFG CODE 8189

**SWITCH-TOGGLE
 FLUSH KEY**

CATALOG LISTING
1TP201 SERIES
CHART 1

THIS DRAWING COVERS A PROPRIETARY ITEM AND IS THE PROPERTY OF MICRO SWITCH, A DIVISION OF HONEYWELL. THIS DRAWING IS NOT TO BE COPIED OR USED WITHOUT THE APPROVAL OF MICRO SWITCH.



CATALOG LISTING	CIRCUIT MADE WITH BUTTON DEPRESSED ON			ELECTRICAL DATA
	LUG SIDE (1-2)	CENTER (1-2)	OPPOSITE LUG (2-3)	
ITP201-1	ON	OFF	ON	15A-125, <u>250</u> OR 277VAC 1/2HP-125VAC; 1HP- <u>250</u> , 277VAC 5A-125VAC "L" CODE L191
ITP201-2	OFF	NONE	ON	
ITP201-3	ON	NONE	ON	
ITP201-2I	NONE	OFF	ON	
ITP201-3I	NONE	ON	ON	
(A)	MOM OFF	NONE	ON	10A-125, <u>250</u> , 277 VAC 1/4HP-125VAC; 1/2HP- <u>250</u> , 277VAC 3A-125VAC "L" CODE L192
(A)	MOM ON	OFF	ON	
ITP201-6	MOM ON	NONE	OFF	
ITP201-7	MOM ON	OFF	MOM ON	
ITP201-8	MOM ON	NONE	ON	
ITP201-5I	NONE	ON	MOM ON	
ITP201-6I	MOM ON	OFF	NONE	

THIRD ANGLE PROJECTION

SCALE FULL

DO NOT SCALE PRINT

UNLESS OTHERWISE SPECIFIED TOLERANCES ARE

ONE PLACE	(.0)	± .030
TWO PLACE	(.00)	± .015
THREE PLACE	(.000)	± .005
ANGLES		±

WEIGHT .10 LB EST

NOTES;
 1 - MICRO SWITCH CATALOG LISTING ON SIDE OF SWITCH
 2 - THESE SWITCHES WILL WITHSTAND TEMPERATURE OF 160°F
 3 - SCREWS FURNISHED UNASSEMBLED

