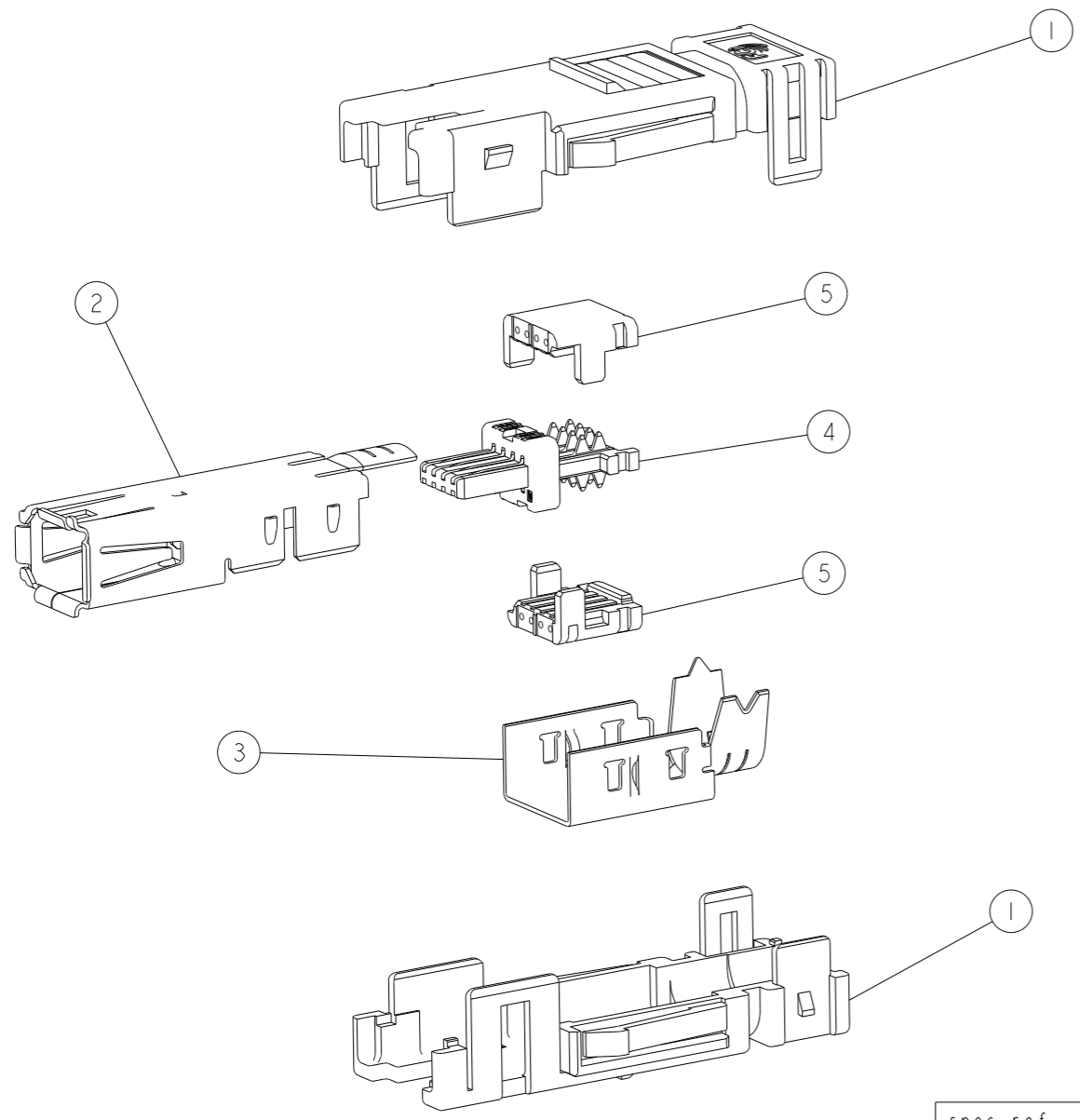


PRODUCT NUMBERING:
10137851 - 0 0 X X LF

- X X LF — LEAD FREE
- 0: INSULATION DIAMETER 1.05 - 1.15mm (L)
- 1: INSULATION DIAMETER 0.93 - 1.05mm (M)
- 1: PLUG TOP SHELL TYPE I
- 2: PLUG TOP SHELL TYPE II

NOTES:

1. APPLICABLE CABLE: RECOMMENDED AWG- 30~26 X 8C
MAX AWG22 x4C
OVERALL DIAMETER 6.7MAX.
2. DATE CODE IS DESCRIBED ON THE BOUNDED CUSTOMER DRAWING.
3. PACKAGING SPEC GS-14-2538
4. APPLICATION SPEC FOR HANDTOOL: GS-20-0484



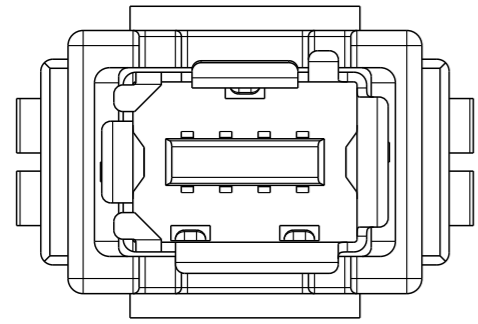
S.NO	PART NAME	MATERIAL/FINISH	-0010LF	-0020LF	-0011LF	-0021LF
1	REC COVER HSG	THERMO PLASTIC	2	2	2	2
2	REC TOP SHELL TYPE I	MATERIAL: COPPER ALLOY FINISH: Ni PLATING	1	-	1	-
	REC TOP SHELL TYPE II	MATERIAL: COPPER ALLOY FINISH: Ni PLATING	-	1	-	1
3	BOTTOM SHELL	MATERIAL: COPPER ALLOY FINISH: Ni PLATING	1	1	1	1
4	REC SUB ASSY	HSG MATERIAL: THERMO PLASTIC CONTACT MATERIAL: COPPER ALLOY FINISH: Ni PLATING ALL OVER CONTACT AREA Au PLATING TERMINATION AREA Au PLATING	1	1	1	1
5	CABLE HSG Ø1.05-1.15 COLOR: BLUE	THERMO PLASTIC	2	2	-	-
	CABLE HSG Ø0.93-1.05 COLOR: RED		-	-	2	2

10137851-0010LF
SHOWN

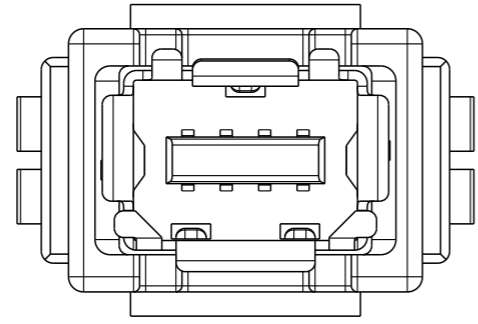
spec ref	GS-12-1347	dr	A P Sawanth	2016/09/07	projection	mm	size	A3	scale	3:1	
tolerance std	ISO 406 ISO 1101	eng	Mike Zhou	2017/11/13			ecn no	ELX-N-28452-1			
surface	TOLERANCES UNLESS OTHERWISE SPECIFIED linear: 0.X ±0.5, 0.XX ±-, 0.XXX ±- angular: 0° ±-°	chr	-	apppr			Tim Yao	2017/11/13	product family	rel level Released	
ISO 1302		Amphenol FCI	INDUSTRIAL MINI I/O PIERCING REC CONN KIT	cat. no.	Product - Customer Drw	sheet 1 of 2	dwg no	10137851			rev

Amphenol FCI

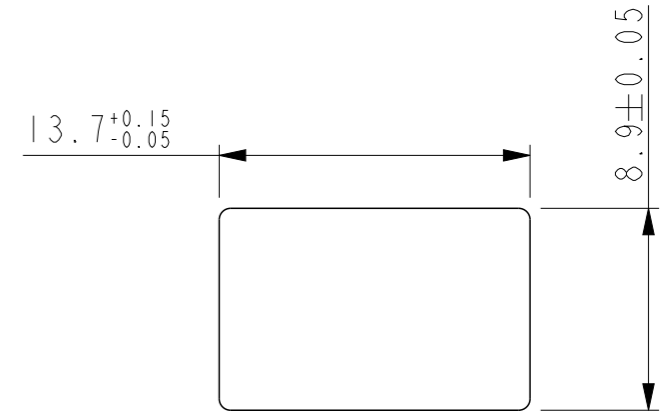
© 2016 AFCI



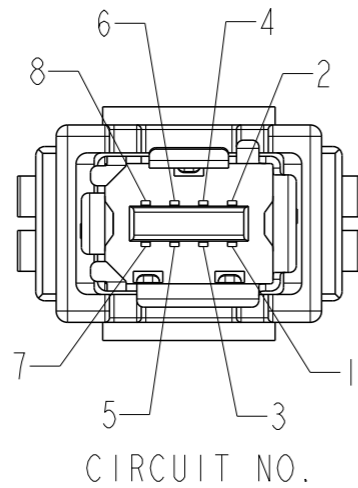
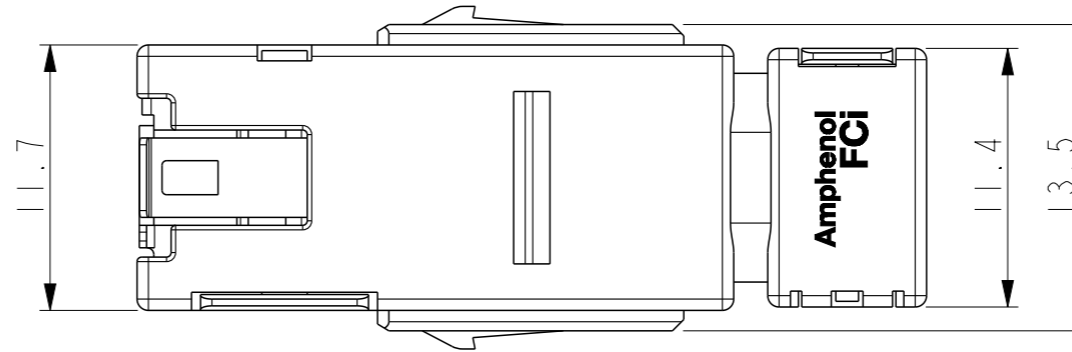
MATING SHAPE : TYPE I
-0010LF, -0011LF
SCALE 4:1



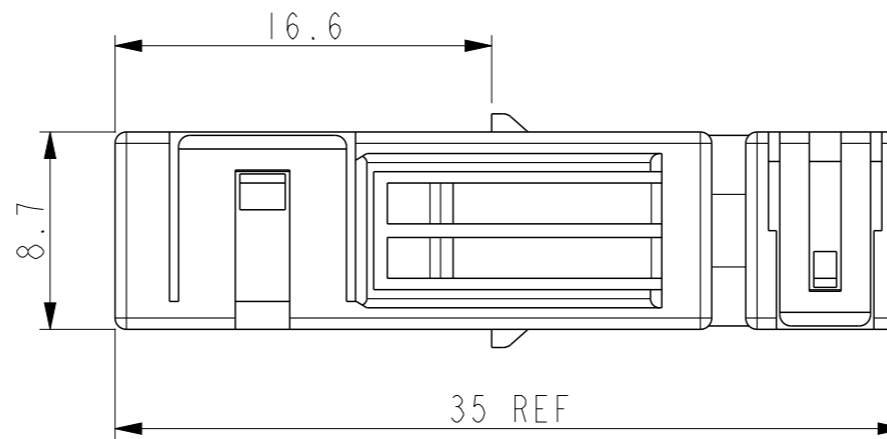
MATING SHAPE : TYPE II
-0020LF, -0021LF
SCALE 4:1



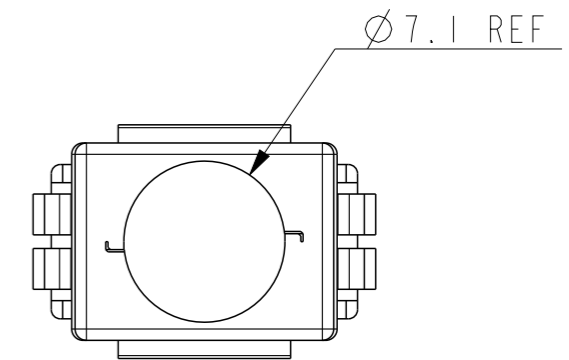
REFERENCE PANEL SIZE
t=1.5±0.15



CIRCUIT NO.



10137851-0010LF
SHOWN



spec ref	GS-12-1347	dr	A P Sawanth	2016/09/07	projection	mm	size	A3	scale	3:1
tolerance std	ISO 406 ISO 1101	eng	Mike Zhou	2017/11/13			ecn no	ELX-N-28452-1		
TOLERANCES UNLESS OTHERWISE SPECIFIED		chr	-	-			rel level	Released		
surface	linear	0.X	±0.5	Amphenol FCI	product family	INDUSTRIAL MINI I/O PIERCING REC CONN KIT		dwg no	10137851	
		0.XX	±-		cat. no.	Product - Customer Drw		rev	B	
	angular	0°	±-°		sheet 2 of 2					