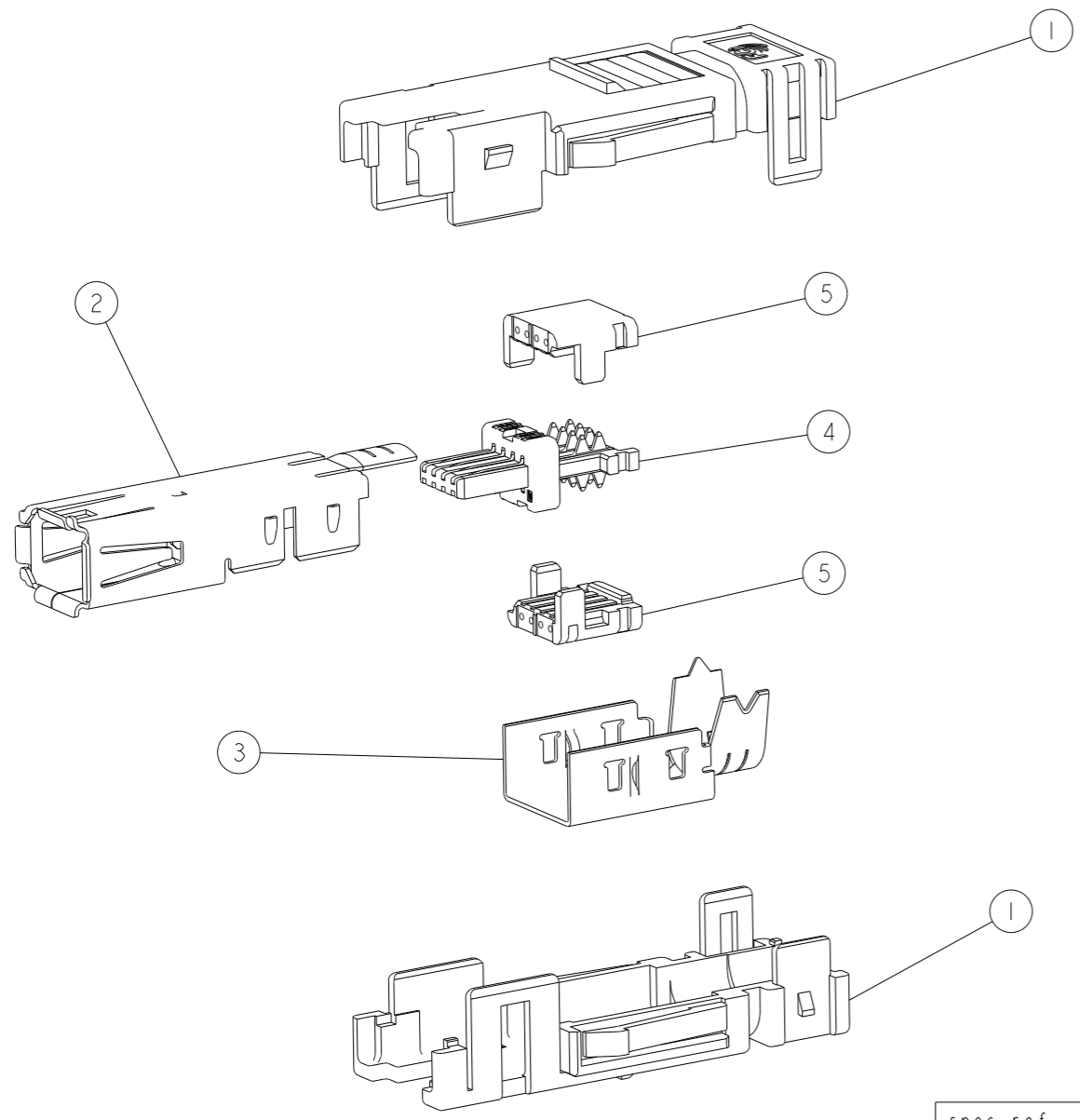


PRODUCT NUMBERING:
10137851 - 0 0 X X LF

- X X LF — LEAD FREE
- 0: INSULATION DIAMETER 1.05 - 1.15mm (L)
- 1: INSULATION DIAMETER 0.93 - 1.05mm (M)
- 1: PLUG TOP SHELL TYPE I
- 2: PLUG TOP SHELL TYPE II

NOTES:

1. APPLICABLE CABLE: RECOMMENDED AWG- 30~26 X 8C
MAX AWG22 x4C
OVERALL DIAMETER 6.7MAX.
2. DATE CODE IS DESCRIBED ON THE BOUNDED CUSTOMER DRAWING.
3. PACKAGING SPEC GS-14-2538
4. APPLICATION SPEC FOR HANDTOOL: GS-20-0484



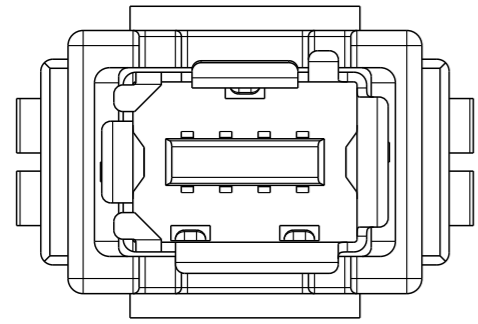
| S.NO | PART NAME | MATERIAL/FINISH | -0010LF | -0020LF | -0011LF | -0021LF |
|------|-------------------------------------|---|---------|---------|---------|---------|
| 1 | REC COVER HSG | THERMO PLASTIC | 2 | 2 | 2 | 2 |
| 2 | REC TOP SHELL TYPE I | MATERIAL: COPPER ALLOY FINISH: Ni PLATING | 1 | - | 1 | - |
| | REC TOP SHELL TYPE II | MATERIAL: COPPER ALLOY FINISH: Ni PLATING | - | 1 | - | 1 |
| 3 | BOTTOM SHELL | MATERIAL: COPPER ALLOY FINISH: Ni PLATING | 1 | 1 | 1 | 1 |
| 4 | REC SUB ASSY | HSG MATERIAL: THERMO PLASTIC CONTACT MATERIAL: COPPER ALLOY FINISH: Ni PLATING ALL OVER CONTACT AREA Au PLATING TERMINATION AREA Au PLATING | 1 | 1 | 1 | 1 |
| 5 | CABLE HSG Ø1.05-1.15 COLOR: BLUE | THERMO PLASTIC | 2 | 2 | - | - |
| | CABLE HSG Ø0.93-1.05 COLOR: RED | | - | - | 2 | 2 |

10137851-0010LF
SHOWN

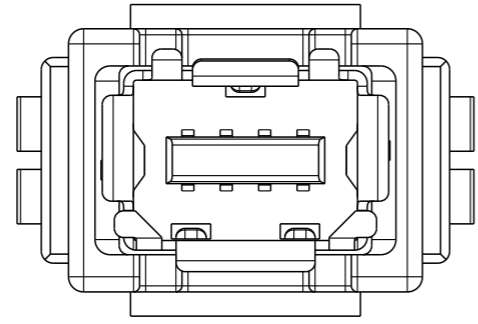
| | | | | | | | | | | |
|---------------|---|----------|------------------------|------------|---|--------|----------|----------------|-----------|----------|
| spec ref | GS-12-1347 | dr | A P Sawanth | 2016/09/07 | projection | mm | size | A3 | scale | 3:1 |
| tolerance std | ISO 406 ISO 1101 | eng | Mike Zhou | 2017/11/13 | | | ecn no | ELX-N-28452-1 | | |
| surface | TOLERANCES UNLESS OTHERWISE SPECIFIED linear 0.X ±0.5 0.XX ±- 0.XXX ±- angular 0° ±-° | chr | - | - | | | | product family | rel level | Released |
| | | appr | Tim Yao | 2017/11/13 | INDUSTRIAL MINI I/O PIERCING REC CONN KIT | dwg no | 10137851 | | | rev |
| ISO 1302 | | cat. no. | Product - Customer Drw | | | sheet | 1 of 2 | | | |

Amphenol FCI

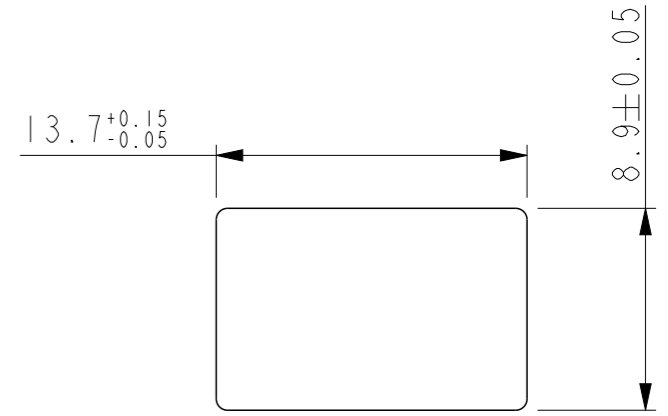
© 2016 AFCI



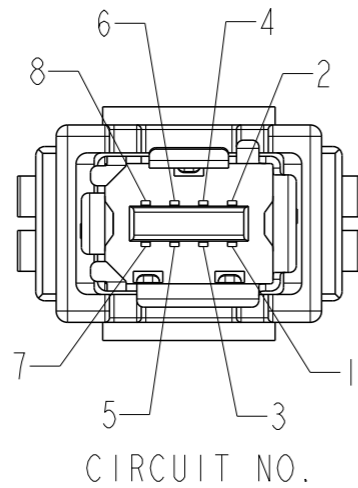
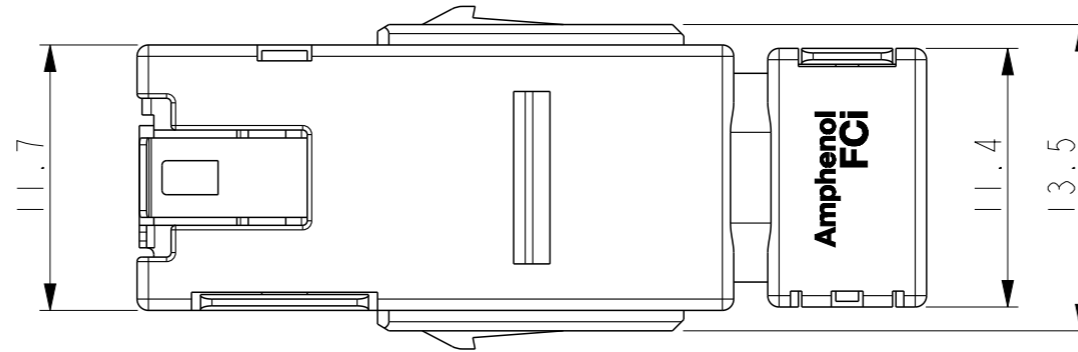
MATING SHAPE : TYPE I
-0010LF, -0011LF
SCALE 4:1



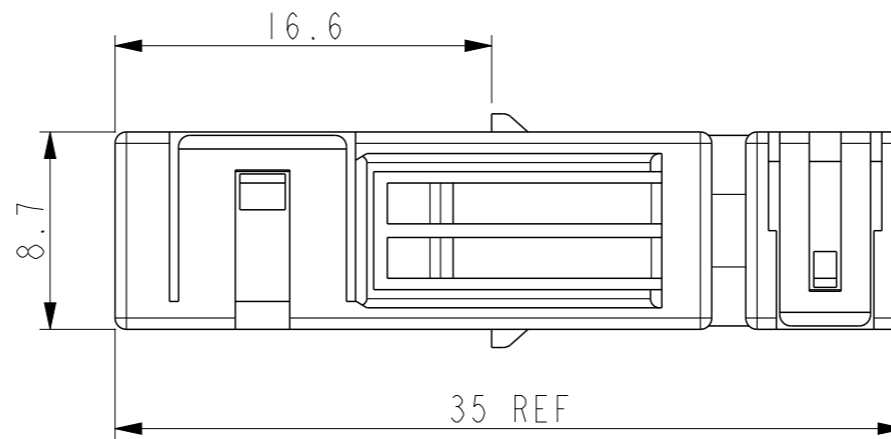
MATING SHAPE : TYPE II
-0020LF, -0021LF
SCALE 4:1



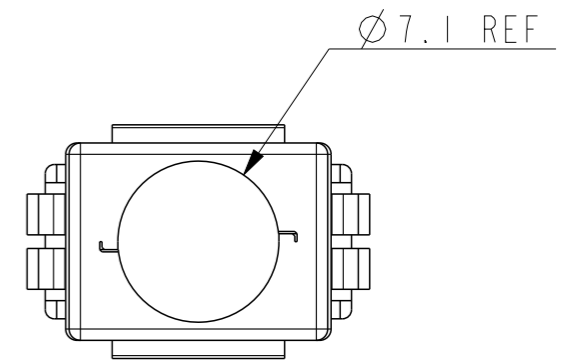
REFERENCE PANEL SIZE
t=1.5±0.15



CIRCUIT NO.



10137851-0010LF
SHOWN



| | | | | | | | | | | |
|---------------------------------------|---------------------|------|-------------|---------------------|----------------|---|-----------|---------------|----------|-----|
| spec ref | GS-12-1347 | dr | A P Sawanth | 2016/09/07 | projection | mm | size | A3 | scale | 3:1 |
| tolerance std | ISO 406 ISO 1101 | eng | Mike Zhou | 2017/11/13 | | | ecn no | ELX-N-28452-1 | | |
| TOLERANCES UNLESS OTHERWISE SPECIFIED | | chr | - | - | | | rel level | Released | | |
| surface | linear | 0.X | ±0.5 | Amphenol FCI | product family | INDUSTRIAL MINI I/O PIERCING REC CONN KIT | | dwg no | 10137851 | |
| | | 0.XX | ±- | | cat. no. | Product - Customer Drw | | rev | B | |
| | angular | 0° | ±° | | sheet 2 of 2 | | | | | |