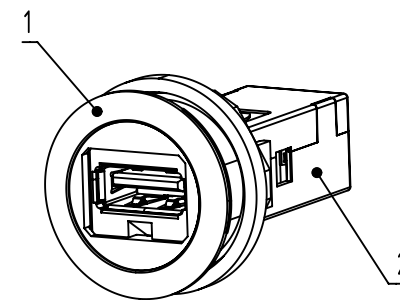
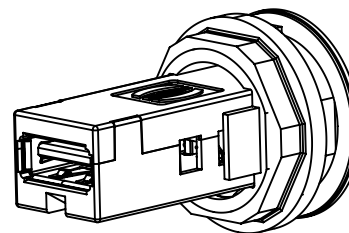
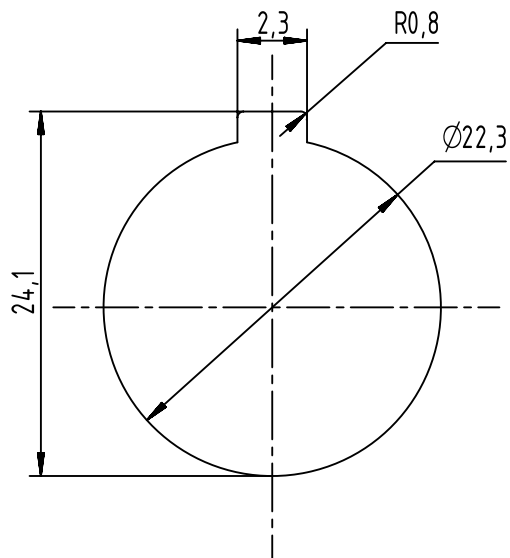



PANEL CUT DIMENSIONS



	All rights reserved Department EC PD - FR	All Dimensions in mm Original Size DIN A4		Scale 2:1	Free size tol.	Ref. Sub.
		HARTING Electronics GmbH D-32339 Espelkamp	Created by BOURGEOIS	Inspected by BAGDIKIAN	Standardisation HOFFMANN	Date 2014-09-16
Title Assembly USB 2.0 A-A coupler black						Doc-Key / ECM-Nr. 100205294/UGD/008/A 500000079703
Type TB				Number 09454521903		Rev. A
						Page 1/1

# Mouser Electronics

Authorized Distributor

Click to View Pricing, Inventory, Delivery & Lifecycle Information:

[HARTING:](#)

[09454521903](#)