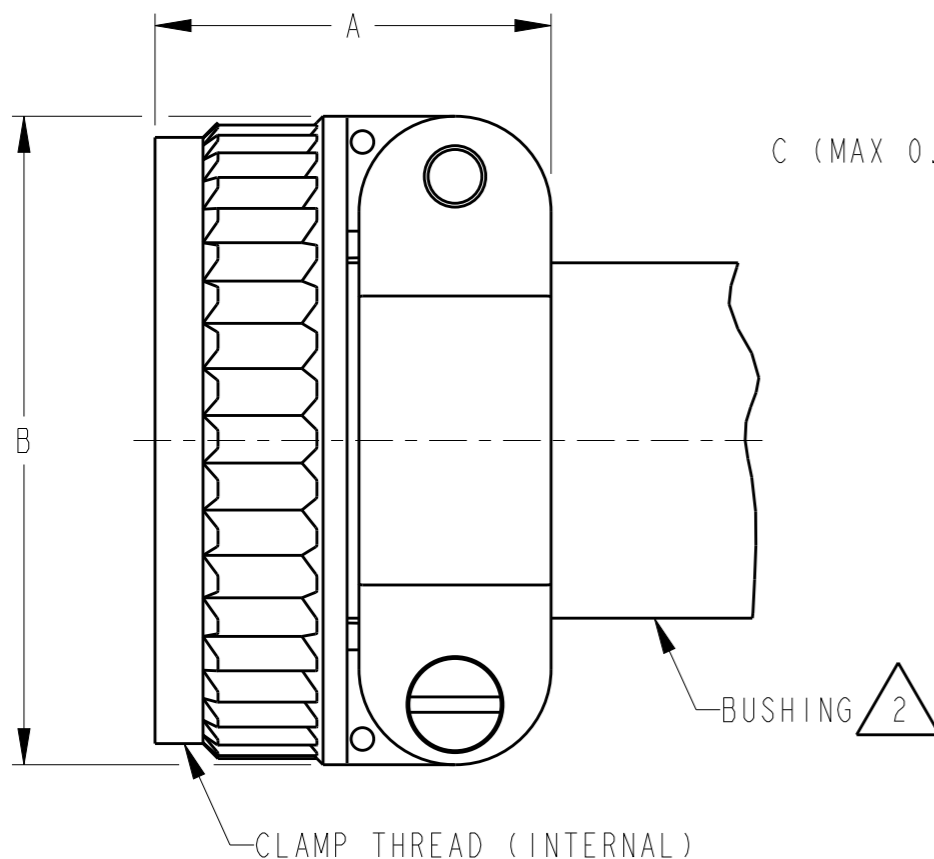
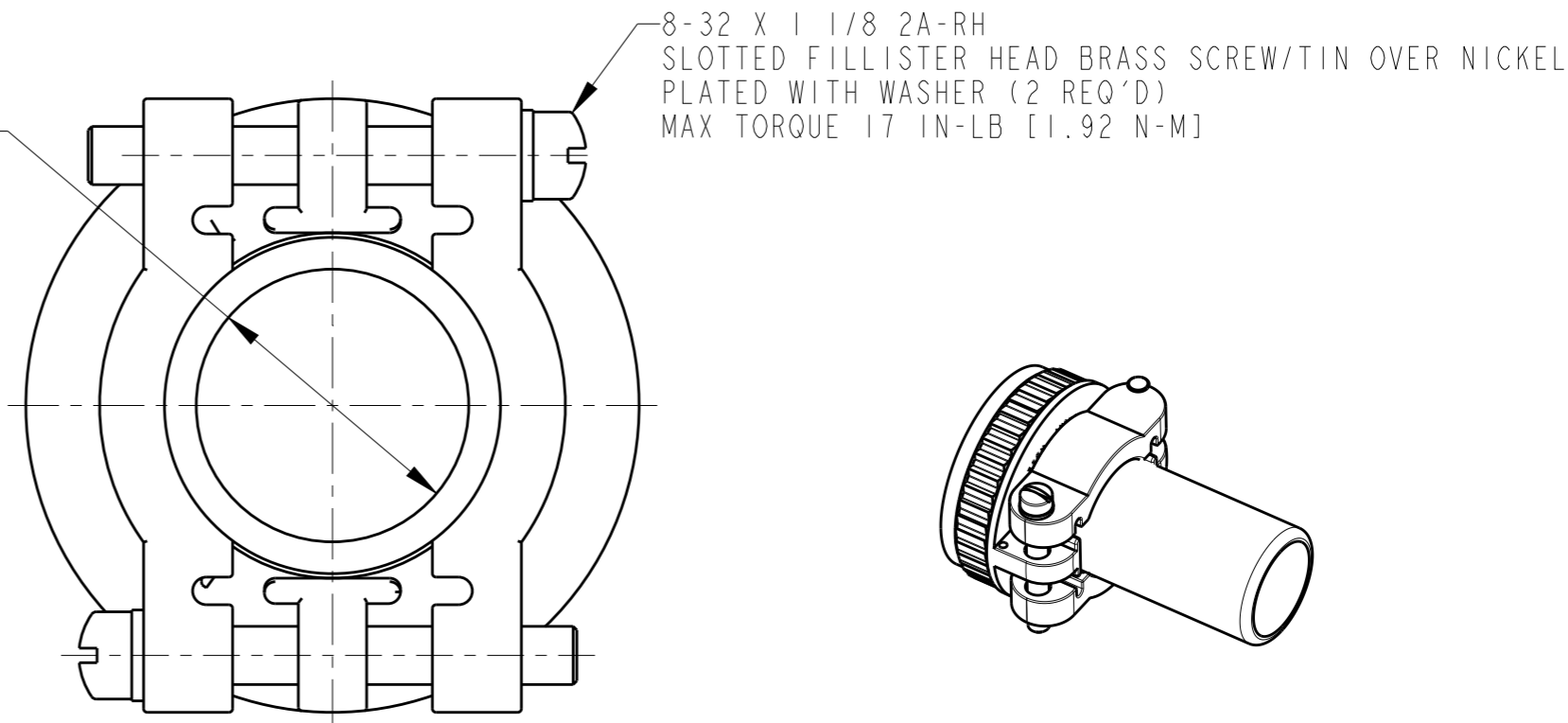


THIS DRAWING IS UNPUBLISHED. RELEASED FOR PUBLICATION 2015
 © COPYRIGHT 2001 BY TE CONNECTIVITY ALL RIGHTS RESERVED.

LOC	DIST	REVISIONS			
P	LTR	DESCRIPTION	DATE	DWN	APVD
	D	REVISED PER E.O. P21086	05JAN2012	IG	RDR
	E	REVISED PER E.O. P21466	01OCT2012	IG	DM
	E1	REVISED PER ECO-13-015566	03OCT2013	AM	DM
	E2	REVISED PER ECO-15-006803	08JUN2015	JA	DM



C (MAX O.D. CABLE DIA.)



XX SIZE	DEUTSCH PART NO.	BUSHINGS (NEOPRENE) ²	CLAMP THREAD CLASS 2B	A ±.050 [1.27]	B ±.025 [.635]	C ±.050 [1.27]
18	0409-201-1800	1 EACH SUPPLIED	1.188-18 UNEF	.938 [23.82]	1.469 [37.31]	.760 [19.30]
24	0409-201-2400	2 EACH SUPPLIED	1.438-18 UNEF	1.031 [26.19]	1.688 [42.88]	.948 [24.08]

³

- ³ THIS CABLE CLAMP CAN BE ALTERNATED WITH MIL SPEC CABLE CLAMP MS3057-16A.
 - ² BUSHINGS ARE SHIPPED LOOSE WITH CABLE CLAMP ASSEMBLIES IN A SEALED PLASTIC BAG. PART NUMBER LABEL AND COUNTRY OF ORIGIN, IF OTHER THAN USA, ON THE BAG.
1. FINISH: TIN OVER NICKEL PLATE.

NOTES:

THIS DRAWING IS A CONTROLLED DOCUMENT.		DWN 02MAR2001 ALEX ROLINSKI		
DIMENSIONS: INCHES [mm]		CHK 08JUN2004 JAIME C. APOSTOL		
TOLERANCES UNLESS OTHERWISE SPECIFIED:		APVD 14JUN2004 ROBIN REED	NAME CABLE CLAMP HD30 SERIES	
0 PLC ± 1 PLC ± 2 PLC ± 3 PLC ±.025 [0.64] 4 PLC ± ANGLES ±0°30'0"		PRODUCT SPEC N/A	SIZE A3	
MATERIAL N/A		APPLICATION SPEC N/A	CAGE CODE 4AFU8	DRAWING NO 0409-201-XX00
FINISH N/A		WEIGHT	RESTRICTED TO	
		CUSTOMER DRAWING	SCALE 2:1	SHEET 1 OF 1 REV E2