

PRODUCT NUMBERING:

10137239 - 0 0 X X LF

LEAD FREE

0: INSULATION DIAMETER 1.05 - 1.15mm (L)

1: INSULATION DIAMETER 0.93 - 1.05mm (M)

1: PLUG TOP SHELL TYPE I

2: PLUG TOP SHELL TYPE II

NOTES:

1. APPLICABLE CABLE: RECOMMENDED AWG- 30~26 X 8C

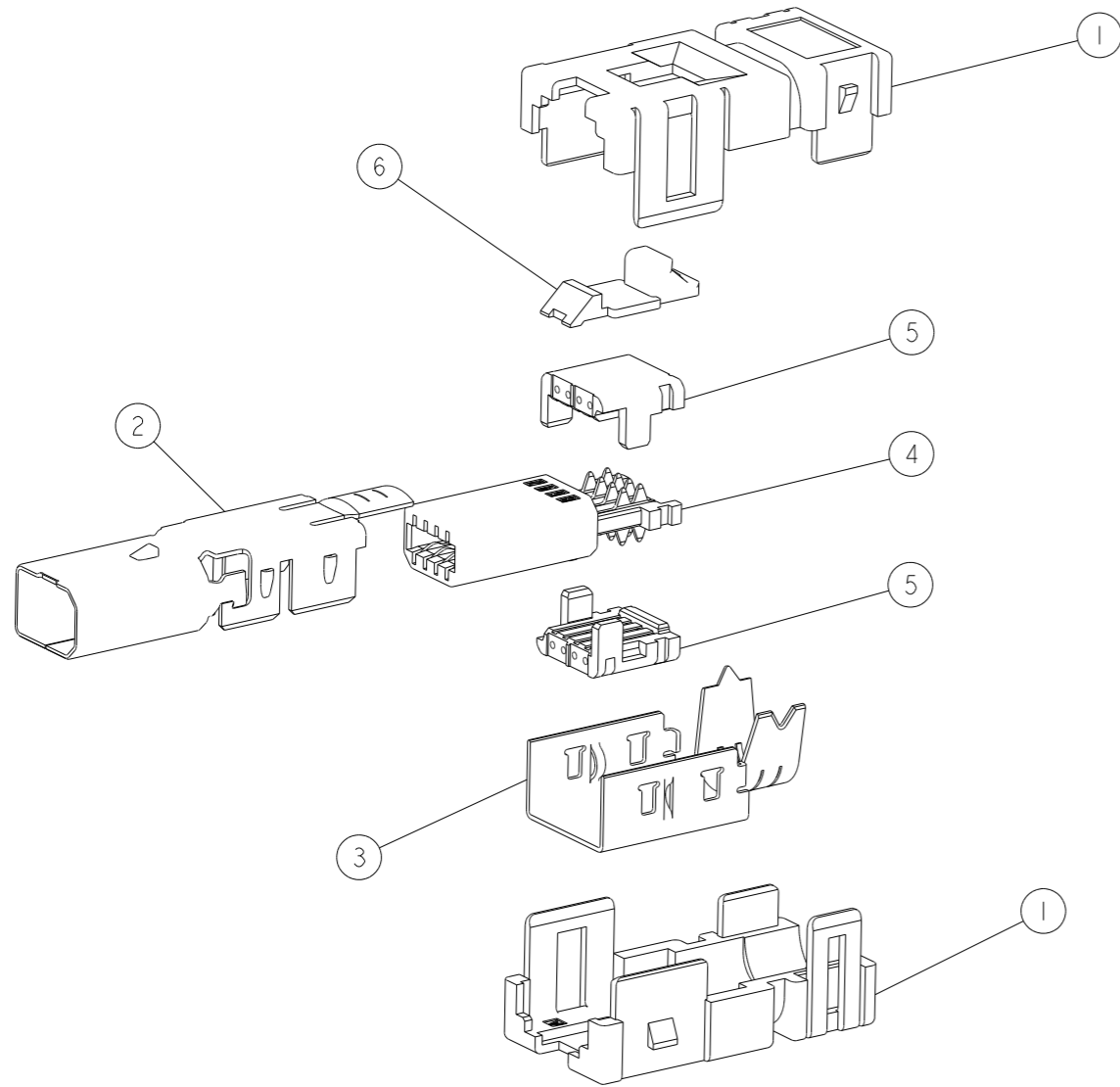
MAX AWG22 x4C

OVERALL DIAMETER 6.7MAX.

2. DATE CODE IS DESCRIBED ON THE BOUNDED CUSTOMER DRAWING.

3. PACKAGING SPEC GS-14-2538

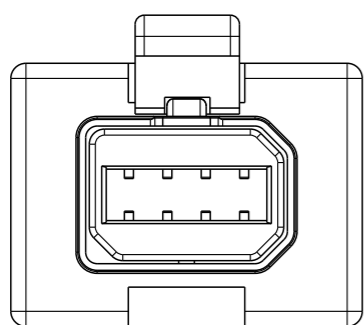
4. APPLICATION SPEC FOR HANDTOOL: GS-20-0484



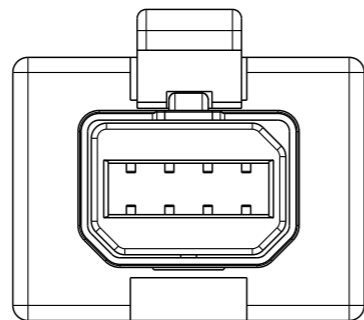
10137239-0010LF
SHOWN

S.NO	PART NAME	MATERIAL/FINISH	-0010LF	-0020LF	-0011LF	-0021LF
1	PLUG COVER HSG	THERMO PLASTIC	2	2	2	2
2	PLUG TOP SHELL TYPE I	MATERIAL: COPPER ALLOY FINISH: Ni PLATING	1	-	1	-
	PLUG TOP SHELL TYPE II	MATERIAL: COPPER ALLOY FINISH: Ni PLATING	-	1	-	1
3	BOTTOM SHELL	MATERIAL: COPPER ALLOY FINISH: Ni PLATING	1	1	1	1
4	PLUG SUB ASSY	HSG MATERIAL: THERMO PLASTIC CONTACT MATERIAL: COPPER ALLOY FINISH: Ni PLATING ALL OVER CONTACT AREA Au PLATING TERMINATION AREA Au PLATING	1	1	1	1
5	CABLE HSG Ø1.05-1.15 COLOR BLUE	THERMO PLASTIC	2	2	-	-
	CABLE HSG Ø0.93-1.05 COLOR: RED		-	-	2	2
6	LOCK HSG	THERMO PLASTIC	1	1	1	1

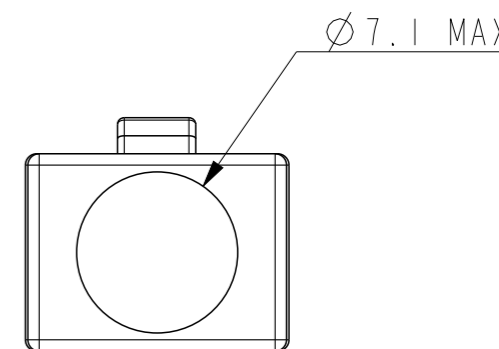
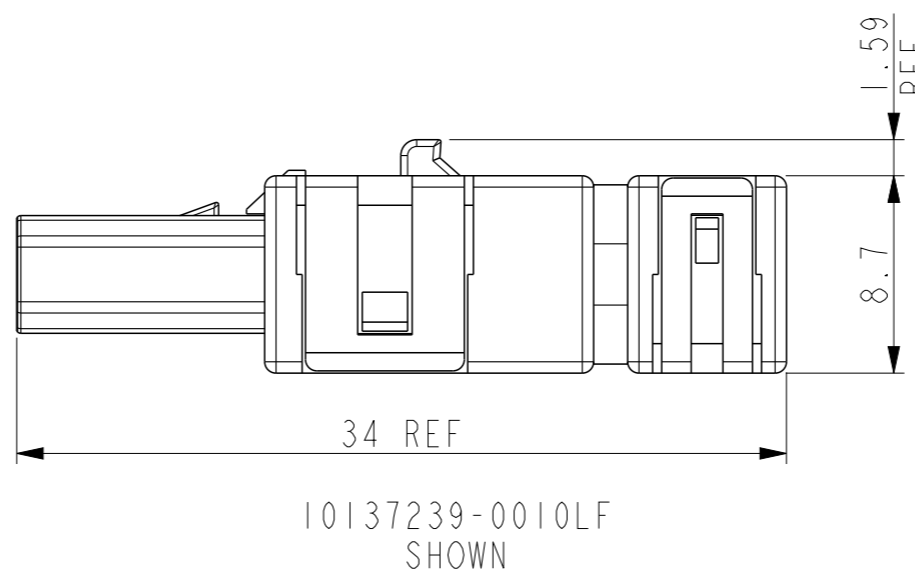
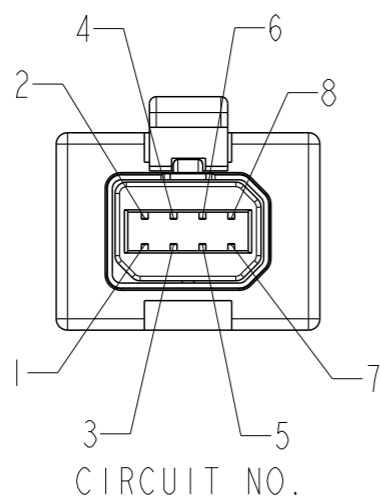
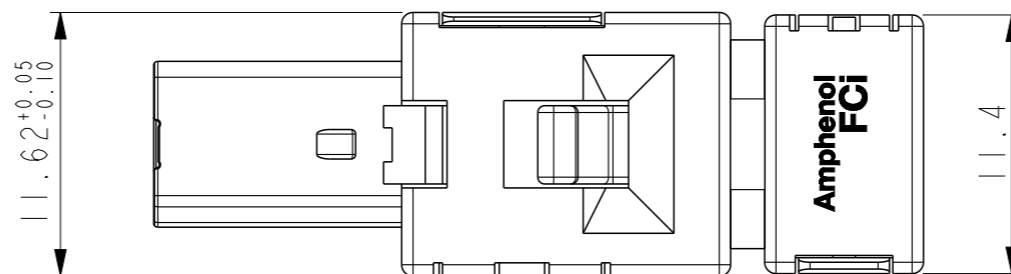
spec ref	GS-12-1347	dr	A P Sawanth	2016/09/07	projection	mm	size	A3	scale	3:1	
tolerance std	ISO 406 ISO 1101	eng	Mike Zhou	2017/11/13			ecn no	ELX-N-28452-1	rel level	Released	
TOLERANCES UNLESS OTHERWISE SPECIFIED		chr	-	2017/11/13							product family
surface	linear	0.X	±0.5		INDUSTRIAL MINI I/O PIERCING PLUG CONN KIT		dwg no	10137239	rev	B	
		0.XX	±-		cat. no.	Product - Customer Drw					sheet 1 of 2
	angular	0°	±°								



MATING SHAPE : TYPE I
 -0010LF, -0011LF
 SCALE 4:1



MATING SHAPE : TYPE II
 -0020LF, -0021LF
 SCALE 4:1



spec ref	GS-12-1347			dr	A P Sawanth	2016/09/07	projection	mm	size	A3	scale	3:1	
tolerance std	TOLERANCES UNLESS OTHERWISE SPECIFIED			eng	Mike Zhou	2017/11/13			ecn no	ELX-N-28452-1			
ISO 406				chr	-	-		product family	rel level	Released			
ISO 1101				appr	Tim Yao	2017/11/13			title	INDUSTRIAL MINI I/O PIERCING PLUG CONN KIT		rev	B
surface	linear	0.X	±0.5	Amphenol FCI		cat. no.		Product - Customer Drw	dwg no	10137239		sheet 2 of 2	
ISO 1302	angular	0°	±°										