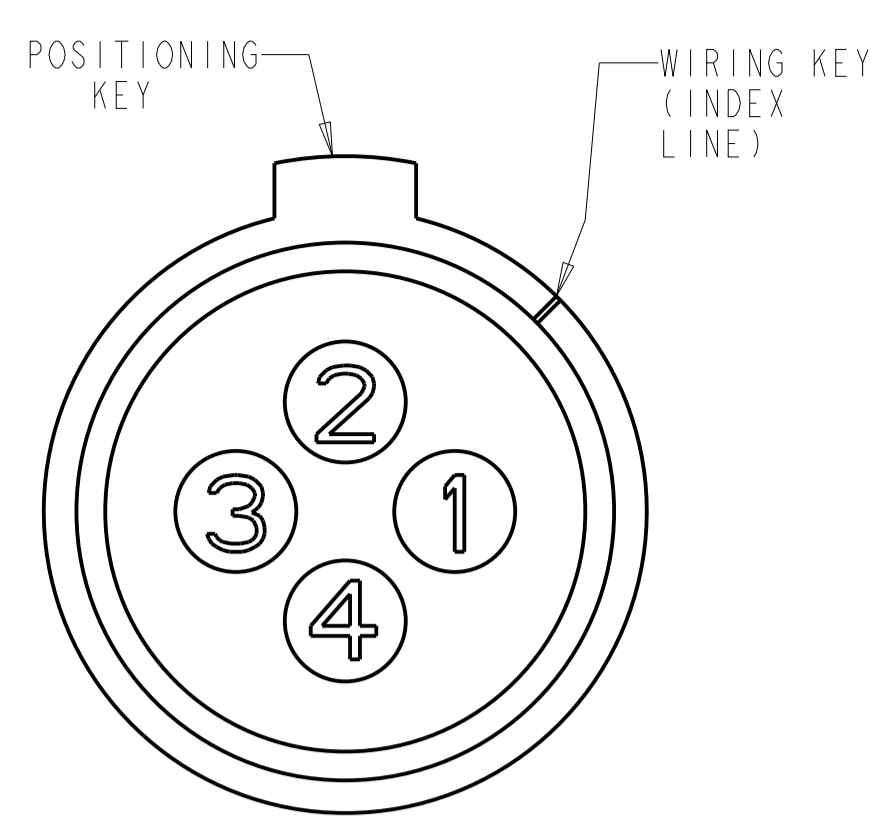
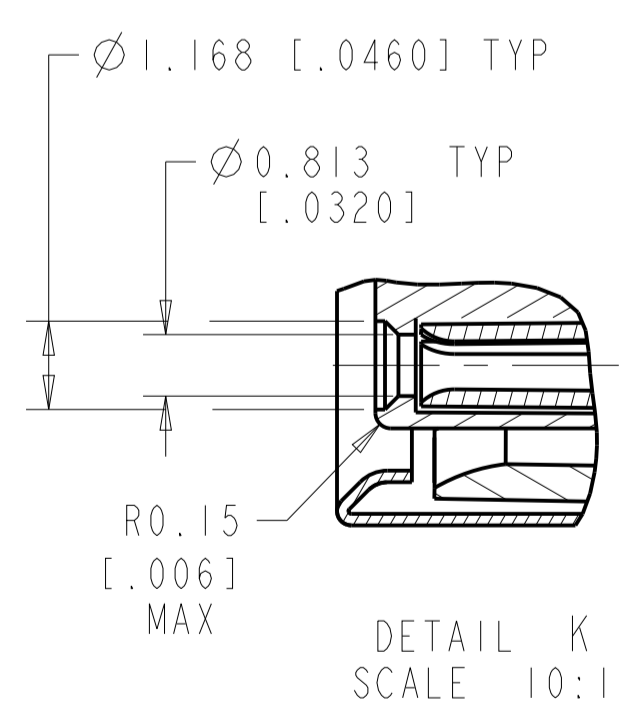
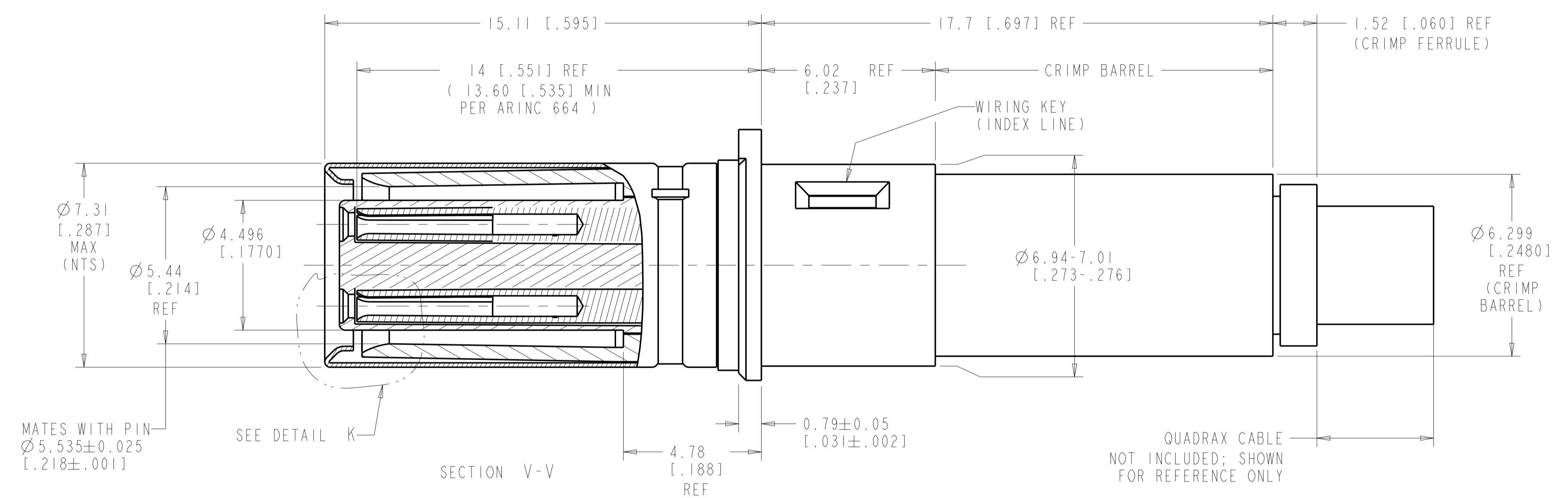
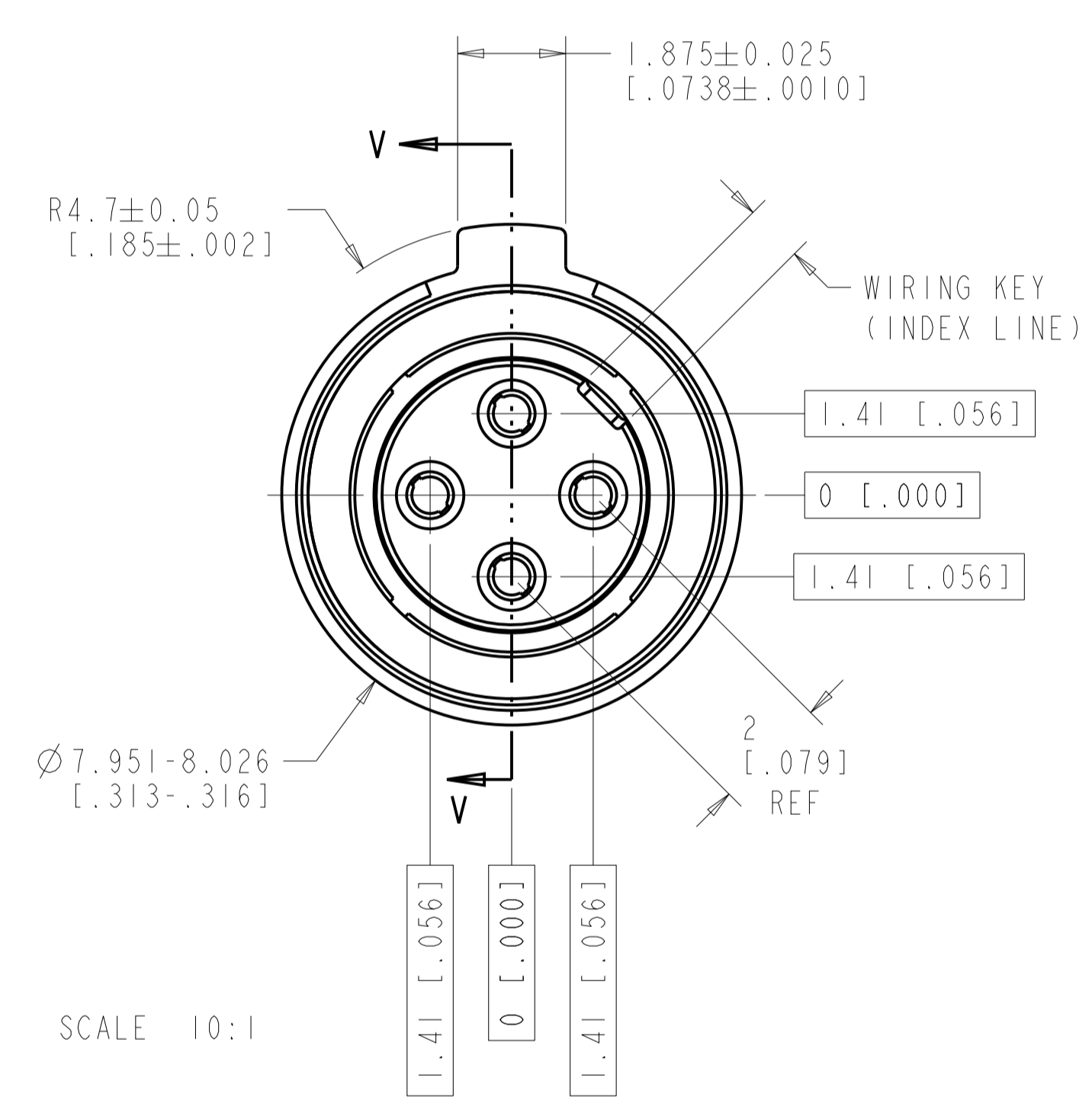
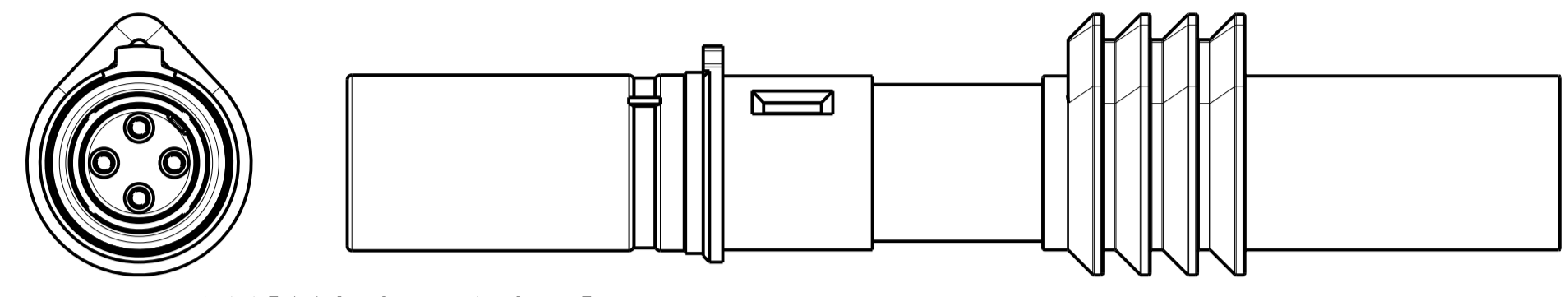
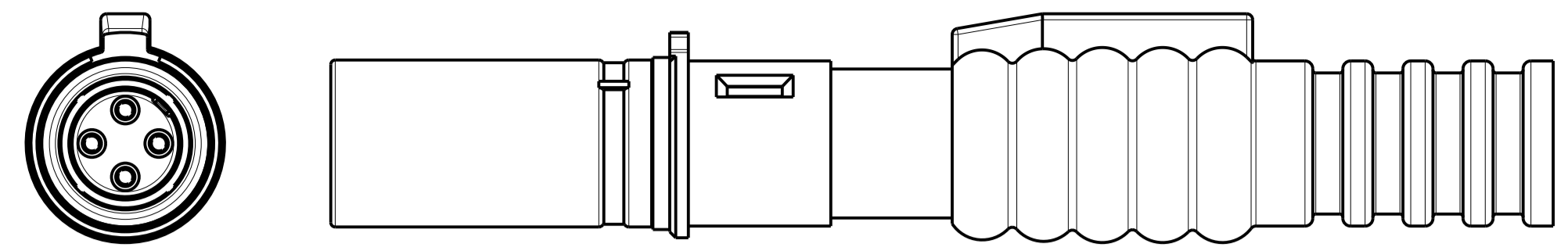


REVISIONS				
P.	LTR.	DESCRIPTION	DATE	APVD.
K		REV PER ECO 14-011279	10-7-14	CT DM



CONTACT CAVITY NUMBERING
STANDARD CAVITY NUMBER ASSIGNMENT



- COMPONENTS ARE PACKAGED IN KIT FORM. CABLE MUST BE PURCHASED SEPARATELY.
- ASSEMBLY PER APPLICATION SPECIFICATION 114-13123.
- USE INSERTION-EXTRACTION TOOL 1738894-1.
- TENSOLITE NF24Q100 OR EQUIVALENT
- DRAKA F4704-4 OR EQUIVALENT
- REDUCED SIZE OF TEC INSTRUCTION SHEET 408-32112 INCLUDED IN EACH KIT.

RECOMMENDED CABLE	CUSTOMER PART NUMBER	SEAL COLOR	DESCRIPTION	PART NO.
4	BACC47GB2	---	SAME AS -4 EXCEPT WITHOUT WIRE SEAL	1445693-9
5	---	-	AS SHOWN WITHOUT WIRE SEAL	1445693-6
5	---	BLUE	AS SHOWN WITH WIRE SEAL	1445693-5
4	BACC47GB1	BLUE	SAME AS -1 EXCEPT WITH WIRE SEAL	1445693-4
4	---	BLUE	SAME AS -1 EXCEPT WITH WIRE SEAL	1445693-3
4	---	RED	SAME AS -1 EXCEPT WITH WIRE SEAL	1445693-2
4 6	---	--	AS SHOWN; WITHOUT WIRE SEAL	1445693-1

THIS DRAWING IS A CONTROLLED DOCUMENT.

DIMENSIONS: mm [INCH]

TOLERANCES UNLESS OTHERWISE SPECIFIED:

0 PLC	±
1 PLC	±0.2 [.008]
2 PLC	±0.13 [.0051]
3 PLC	±0.051 [.002]
4 PLC	±
ANGLES	±

MATERIAL: - FINISH: - WEIGHT: -

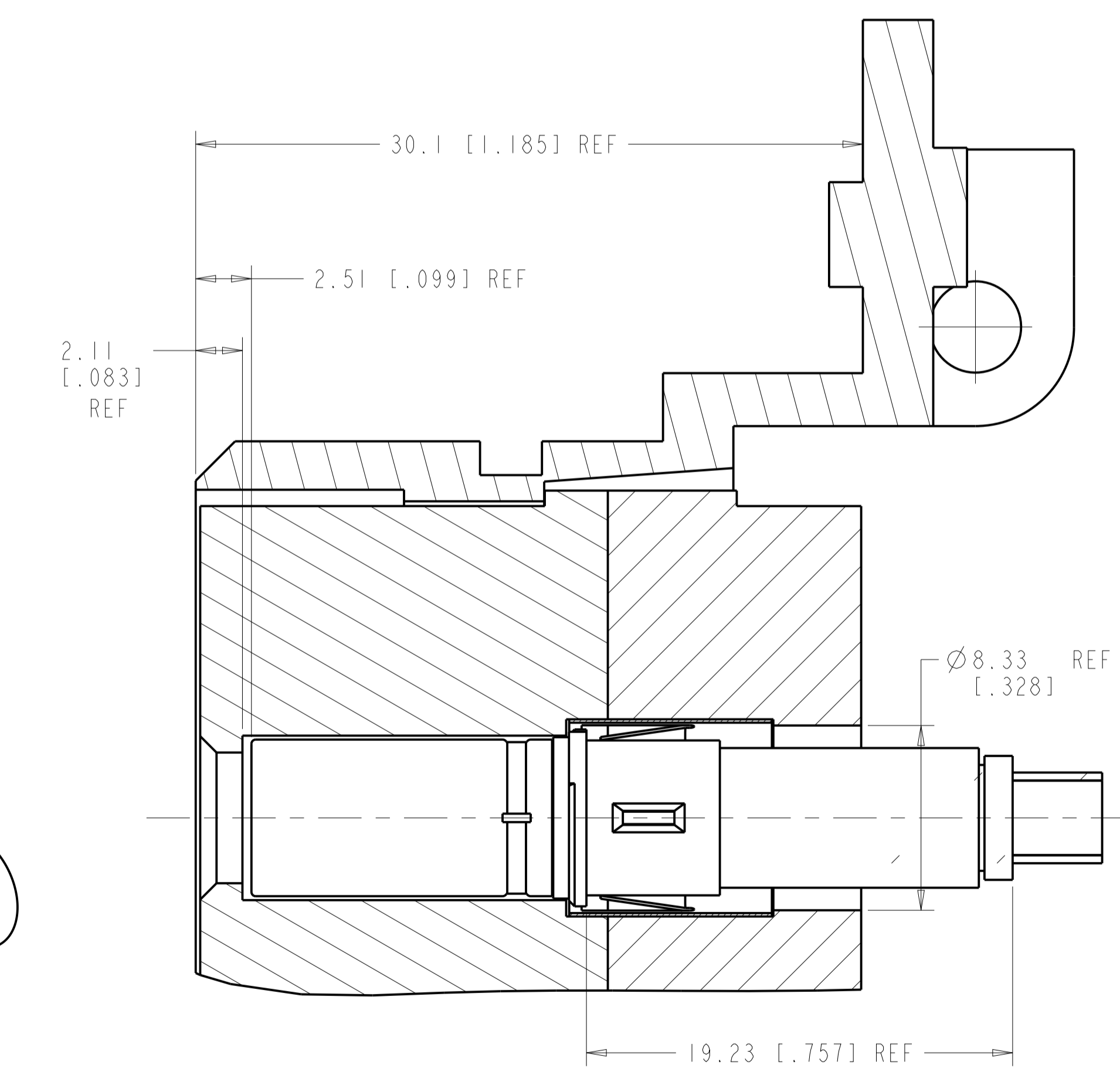
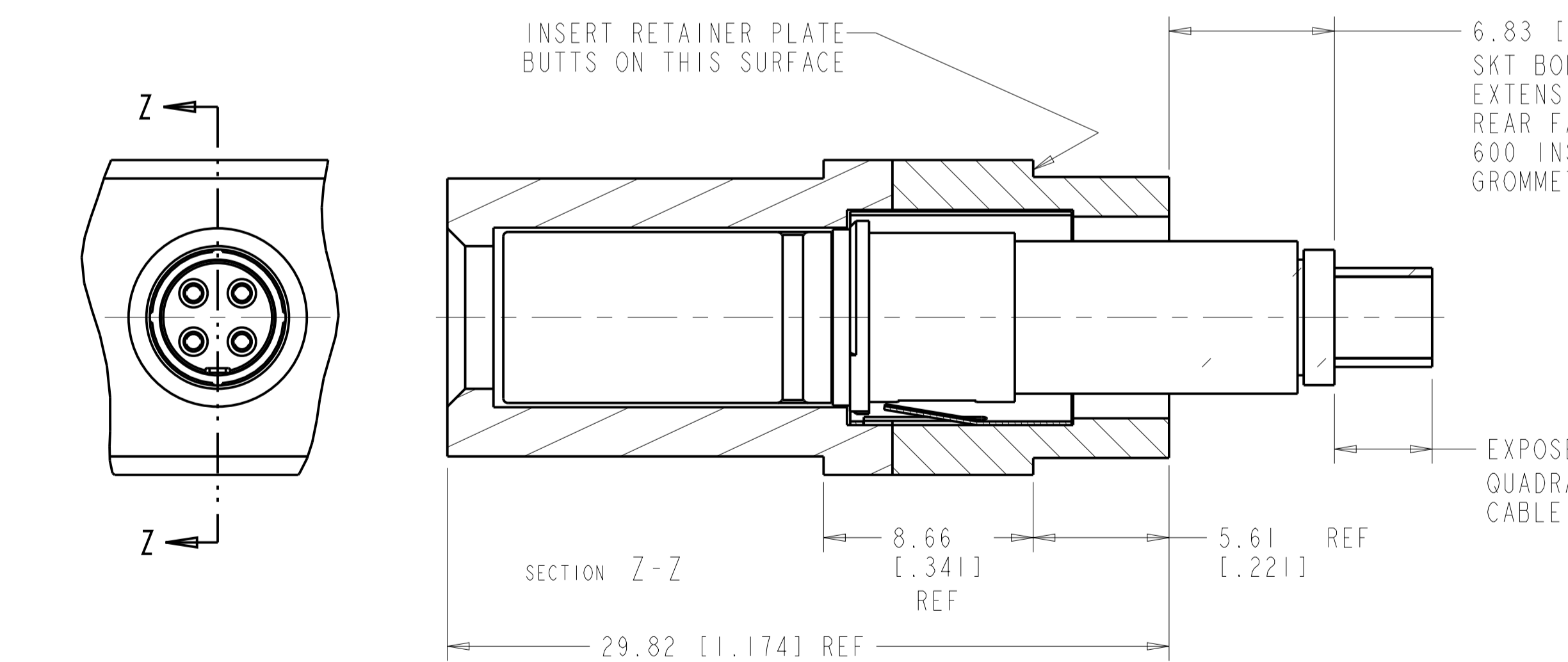
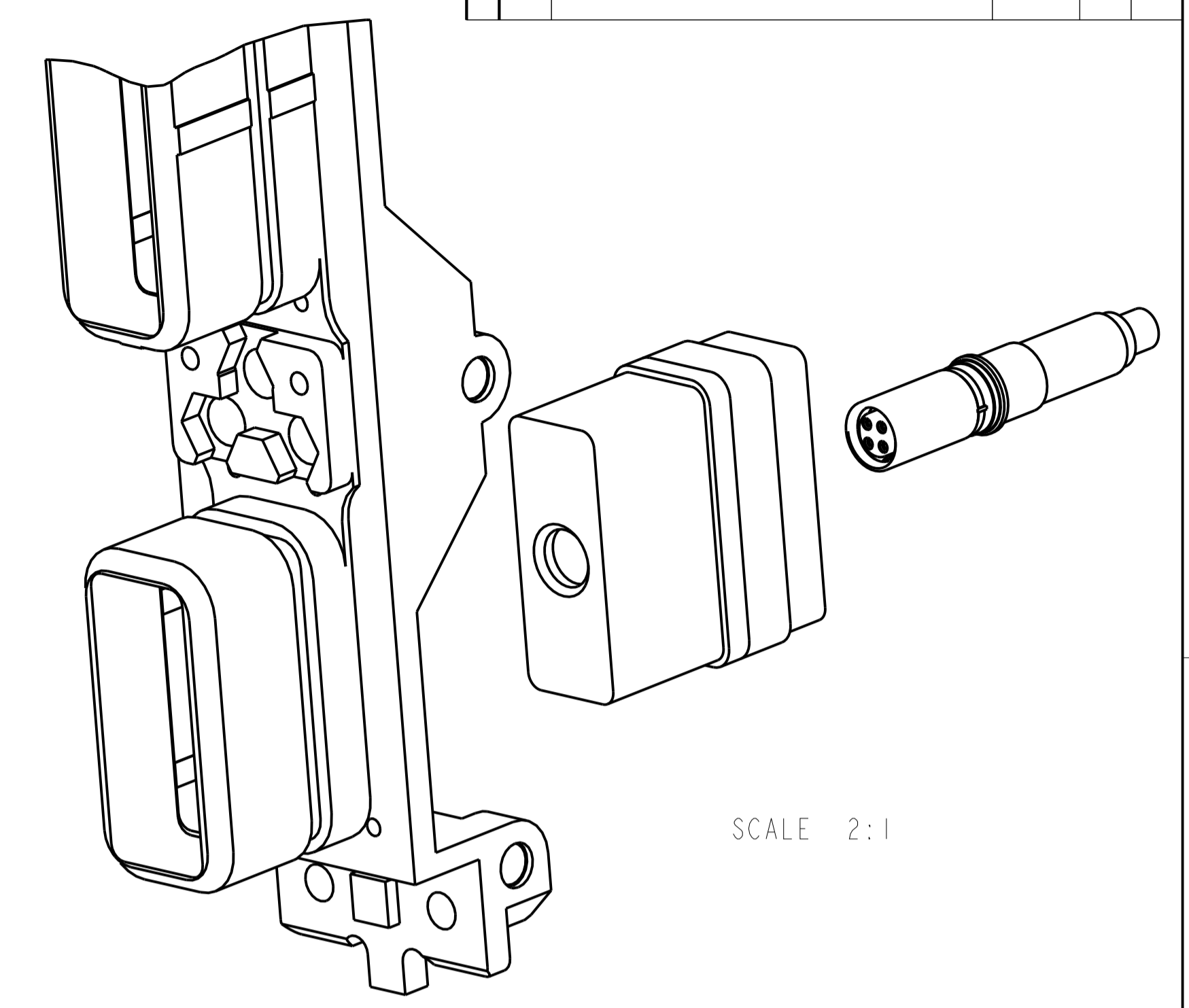
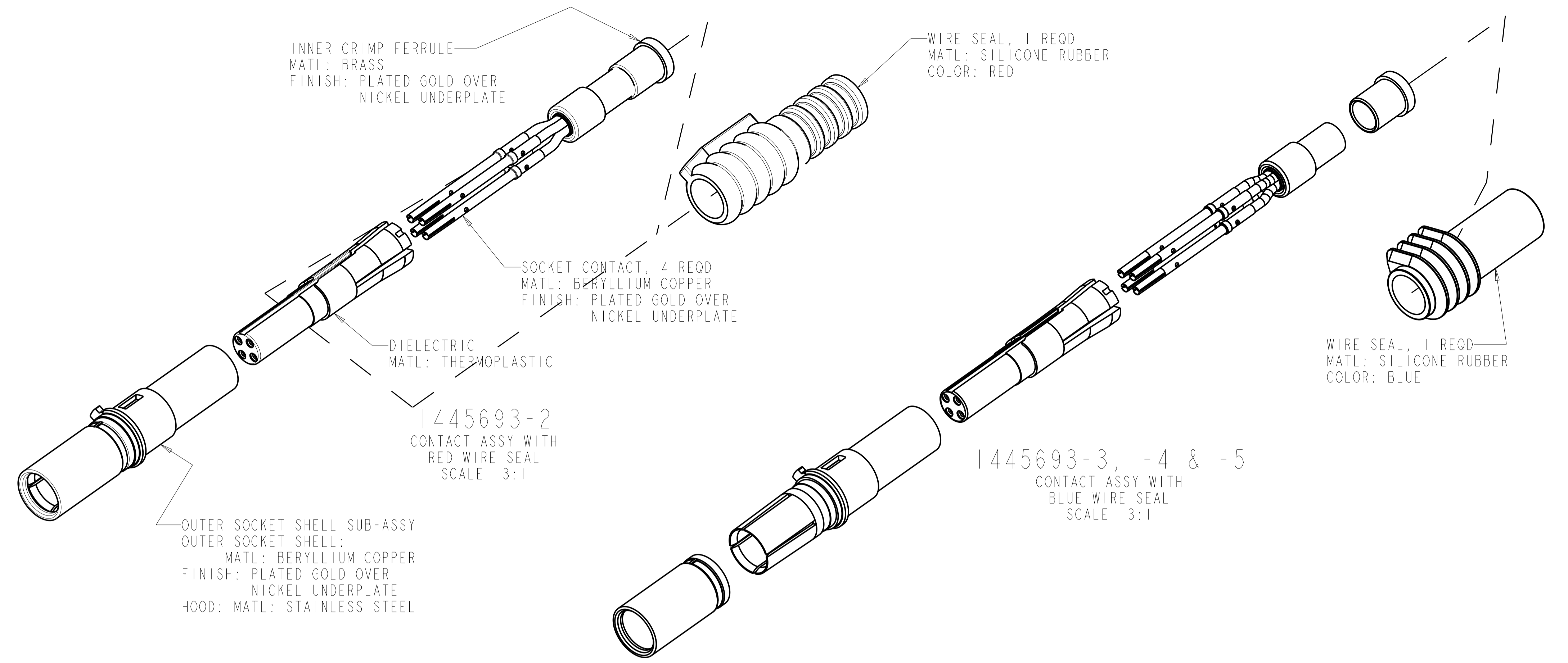
APPROVED: W. H. BERNHART DATE: 23 JUNE 2004

NAME: ASSEMBLY, SOCKET, QUADRAX, 2mm SQ, AIRCRAFT DATA NETWORK, RR/RR WITH SOCKET CONTACTS

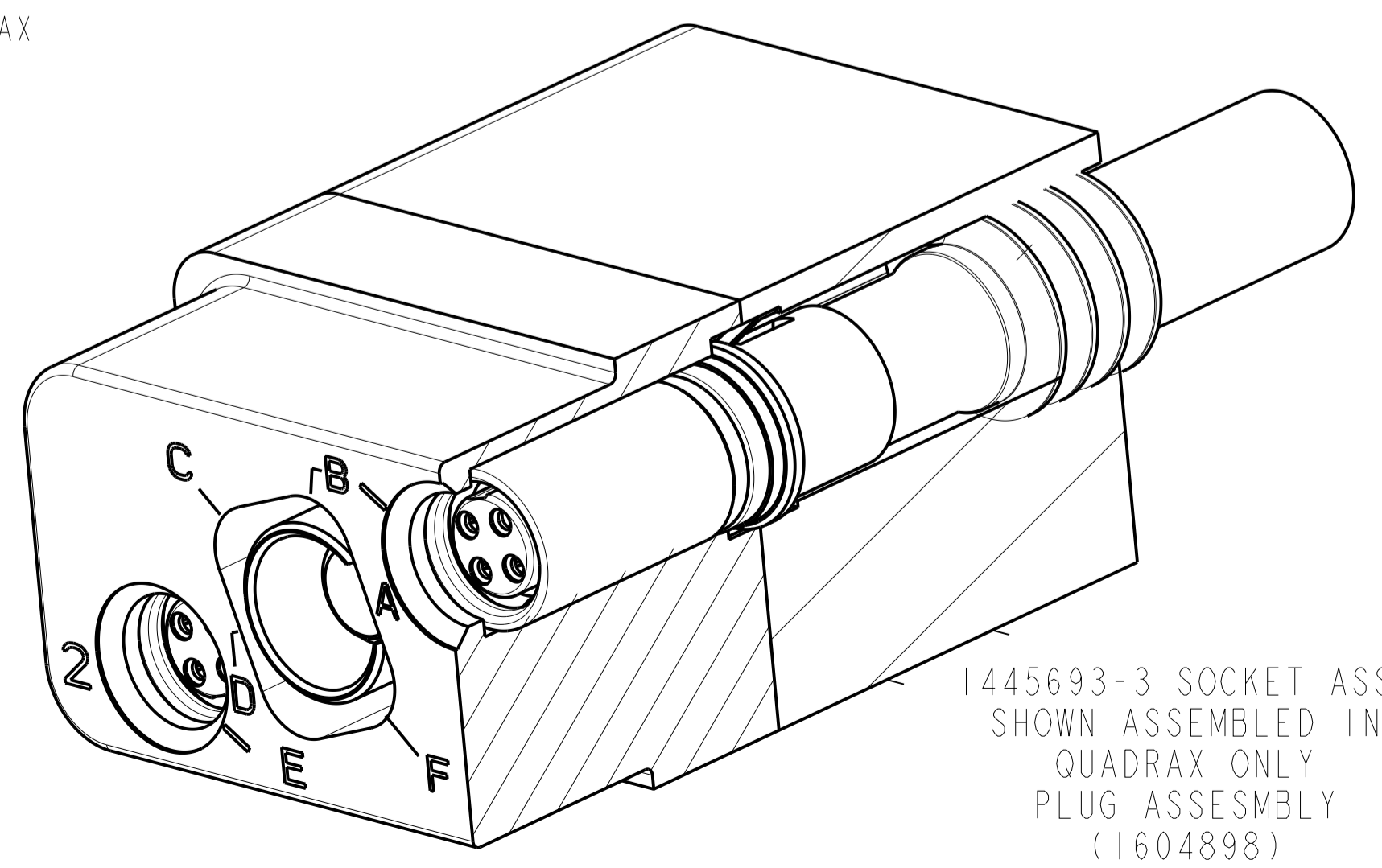
SIZE: A1 CAGE CODE: - DRAWING NO: C=1445693

SCALE: 10:1 SHEET: 1 OF 2 REV: K

REVISIONS				
P.	LTN	DESCRIPTION	DATE	APPV
--		SEE SHEET 1	-	-



QUADRAX SOCKET ASSY SHOWN INSTALLED IN STANDARD ARINC 600, SIZE 1 INSERT WITH REAR RELEASE, REAR REMOVABLE SIZE 8 QUADRAX CAVITY



THIS DRAWING IS A CONTROLLED DOCUMENT.		OWN Brent D. Lohm 23 JUNE 2004	TE Connectivity
DIMENSIONS: mm [INCH]		CHK W. H. BERNHART 23 JUNE 2004	
TOLERANCES UNLESS OTHERWISE SPECIFIED:		APVD W. H. BERNHART 23 JUNE 2004	NAME ASSEMBLY, SOCKET, QUADRAX, 2mm SQ, AIRCRAFT DATA NETWORK, RR/RR WITH SOCKET CONTACTS
0 PLC	±	PRODUCT SPEC	RESTRICTED TO
1 PLC	±0.2 [1.008]	APPLICATION SPEC	
2 PLC	±0.13 [1.005]		
3 PLC	±0.081 [1.002]		
4 PLC	±		
ANGLES	±		
MATERIAL		WEIGHT	SIZE A1
FINISH		CUSTOMER DRAWING	CAGE CODE 1445693
			SCALE 3:1
			SHEET 2 OF 2
			REV K