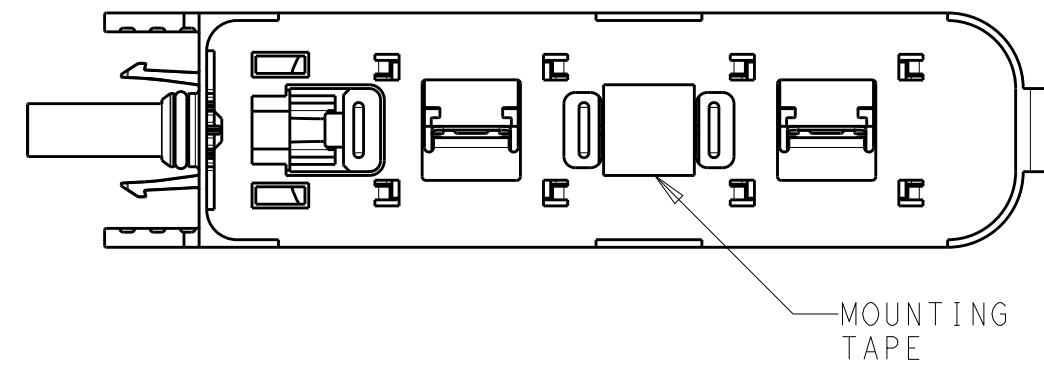


THIS DRAWING IS UNPUBLISHED. RELEASED FOR PUBLICATION  
 © COPYRIGHT copyright.d8te- ALL RIGHTS RESERVED.

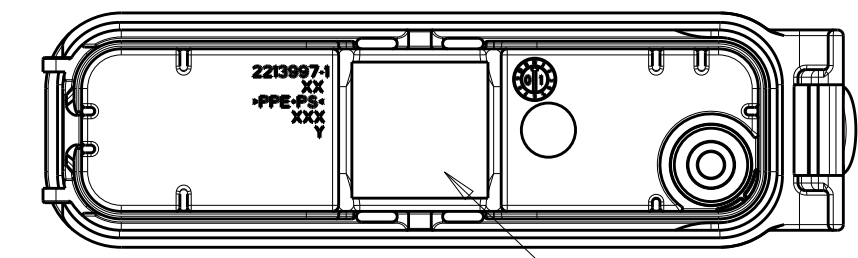
| REVISIONS |     |                         |           |       |
|-----------|-----|-------------------------|-----------|-------|
| P         | LTR | DESCRIPTION             | DATE      | APVD  |
|           | A   | RELEASED FOR PRODUCTION | 23OCT2017 | RK PO |
|           |     |                         |           |       |
|           |     |                         |           |       |

NOTES:

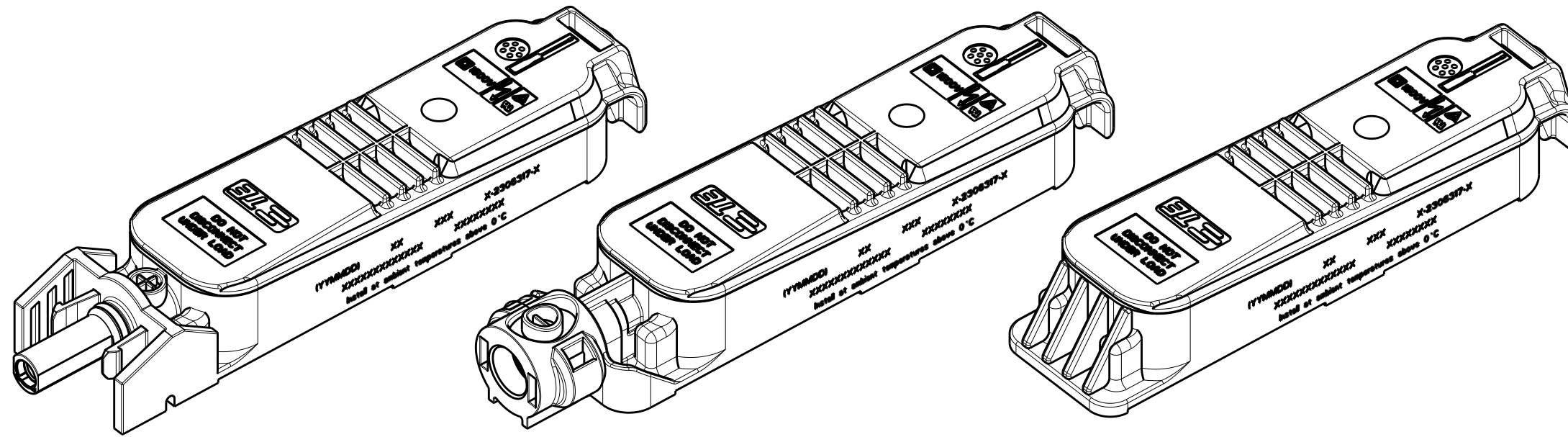
- 1 LID NOT ASSEMBLED WITH LOWER PART. ENCLOSED LOOSELY
- 2 FLAP NOT ASSEMBLED WITH LOWER PART. ENCLOSED LOOSELY
- 3 PART NUMBER.
- 4 PRODUCTION DATE (YYMMDD)
- 5 MANUFACTURING LOCATION CODE.
- 6 OMEGA CLIP AS LOOSE PIECE IN BOX, PRODUCT SPEC. 108-94176
- 7 MODEL CODE ACCORDING TE-SPEC. 404-74000-1
- 8 CONSECUTIVE SERIAL NUMBER
- 9 TEST EQUIPMENT NUMBER
- 10 DIODES WELDED ON CONTACT RAIL
- 11. MUST COMPLY WITH DIRECTIVE 2002/95/EC (ROHS).
- 12. THIS PRODUCT HAS NOT COMPLETED VALIDATION TESTING.



BOTTOM VIEW OF TYPICAL ASSEMBLY WHEN MOUNTING TAPE IS APPLIED



BOTTOM VIEW OF LID SUBASSEMBLY WHEN THERMAL INTERFACE MATERIAL IS APPLIED



|                 |                 |                            |                |
|-----------------|-----------------|----------------------------|----------------|
| TIN OVER NICKEL | COPPER ALLOY    | INTERFACE CONTACT-SOCKET   | 11             |
| TIN OVER NICKEL | COPPER ALLOY    | INTERFACE CONTACT-PIN      | 10             |
| -               | -               | THERMAL INTERFACE MATERIAL | 9              |
| -               | -               | BYPASS DIODE: TYPE SL2020A | 8              |
| GRAY            | PPE+PS          | MEMBRANE RETAINER          | 7              |
| -               | -               | MEMBRANE VENT              | 6              |
| PLAIN           | STAINLESS STEEL | OMEGA CLIP                 | 5 <sup>6</sup> |
| TIN             | COPPER ALLOY    | CONTACT RAIL               | 4              |
| BLACK           | PPE+PS          | BOX, LOWER HOUSING         | 3              |
| RED             | SILICONE        | O-RING SEAL                | 2              |
| BLACK           | PPE+PS          | BOX, LID                   | 1 <sup>1</sup> |
| COLOR/FINISH    | MATERIAL        | DESCRIPTION                | ITEM NO.       |

|                         |       |                         |               |                            |             |
|-------------------------|-------|-------------------------|---------------|----------------------------|-------------|
| PVEDGE2GGA1V_2          | 36.0  | EAST/WEST               | YES           | YES                        | 7-2306317-5 |
| PVEDGE2DGA1V_2          | 55.2  | EAST/WEST               | YES           | YES                        | 7-2306317-2 |
| PVEDGE2FGA1V_2          | 58.7  | EAST/WEST               | YES           | YES                        | 7-2306317-1 |
| PVEDGE2GGA1V_2          | 36.0  | EAST/WEST               | NO            | YES                        | 6-2306317-5 |
| PVEDGE2DGA1V_2          | 55.2  | EAST/WEST               | NO            | YES                        | 6-2306317-2 |
| PVEDGE2FGA1V_2          | 58.7  | EAST/WEST               | NO            | YES                        | 6-2306317-1 |
| PVEDGE2GGA1T_2          | 36.0  | EAST/WEST               | YES           | NO                         | 5-2306317-5 |
| PVEDGE2DGA1T_2          | 55.2  | EAST/WEST               | YES           | NO                         | 5-2306317-2 |
| PVEDGE2FGA1T_2          | 58.7  | EAST/WEST               | YES           | NO                         | 5-2306317-1 |
| PVEDGE2GGA1T_2          | 36.0  | EAST/WEST               | NO            | NO                         | 4-2306317-5 |
| PVEDGE2DGA1T_2          | 55.2  | EAST/WEST               | NO            | NO                         | 4-2306317-2 |
| PVEDGE2FGA1T_2          | 58.7  | EAST/WEST               | NO            | NO                         | 4-2306317-1 |
| PVEDGE2GGA1V_2          | 36.0  | NORTH/SOUTH             | YES           | YES                        | 3-2306317-5 |
| PVEDGE2DGA1V_2          | 55.2  | NORTH/SOUTH             | YES           | YES                        | 3-2306317-2 |
| PVEDGE2FGA1V_2          | 58.7  | NORTH/SOUTH             | YES           | YES                        | 3-2306317-1 |
| PVEDGE2GGA1V_2          | 36.0  | NORTH/SOUTH             | NO            | YES                        | 2-2306317-5 |
| PVEDGE2DGA1V_2          | 55.2  | NORTH/SOUTH             | NO            | YES                        | 2-2306317-2 |
| PVEDGE2FGA1V_2          | 58.7  | NORTH/SOUTH             | NO            | YES                        | 2-2306317-1 |
| PVEDGE2GGA1T_2          | 36.0  | NORTH/SOUTH             | YES           | NO                         | 1-2306317-5 |
| PVEDGE2DGA1T_2          | 55.2  | NORTH/SOUTH             | YES           | NO                         | 1-2306317-2 |
| PVEDGE2FGA1T_2          | 58.7  | NORTH/SOUTH             | YES           | NO                         | 1-2306317-1 |
| PVEDGE2GGA1T_2          | 36.0  | NORTH/SOUTH             | NO            | NO                         | 2306317-5   |
| PVEDGE2DGA1T_2          | 55.2  | NORTH/SOUTH             | NO            | NO                         | 2306317-2   |
| PVEDGE2FGA1T_2          | 58.7  | NORTH/SOUTH             | NO            | NO                         | 2306317-1   |
| Model Code <sup>7</sup> | DIM X | PV PANEL FOIL DIRECTION | MONUTING TAPE | THERMAL INTERFACE MATERIAL | PART NO.    |

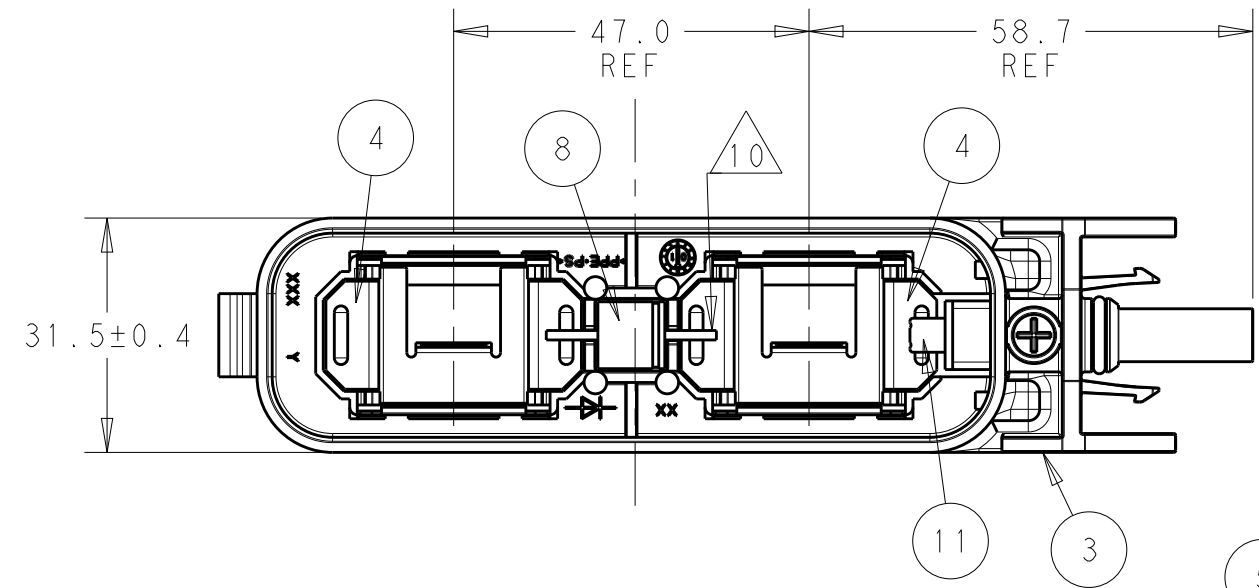
THIS DRAWING IS A CONTROLLED DOCUMENT.

|                |  |                               |   |
|----------------|--|-------------------------------|---|
| DIMENSIONS: mm | TOLERANCES UNLESS OTHERWISE SPECIFIED: | DWN RAVI.S 13AUG2016          | TE Connectivity                                 |
|                | 0 PLC ±0.50                            | CHK GINGRICH CHUCK 13AUG2016  |   |
|                | 1 PLC ±0.25                            | APVD GINGRICH CHUCK 13AUG2016 |   |
|                | 2 PLC ±0.13                            | PRODUCT SPEC 108-32122        |   |
| MATERIAL       | 3 PLC ±                                | APPLICATION SPEC 114-32157    | NAME PV EDGE ASSEMBLY, WITHOUT FLAP, OMEGA CLIP |
|                | 4 PLC ANGLES ±                         | WEIGHT -                      | SIZE A2   |
|                | FINISH -                               | CUSTOMER DRAWING              | CAGE CODE G-2306317                             |
|                |  | SCALE 1:1                     | DRAWING NO. C-2306317                           |
|                |  | SHEET 1 OF 4                  | RESTRICTED TO -                                 |
|                |  | REV A                         |   |

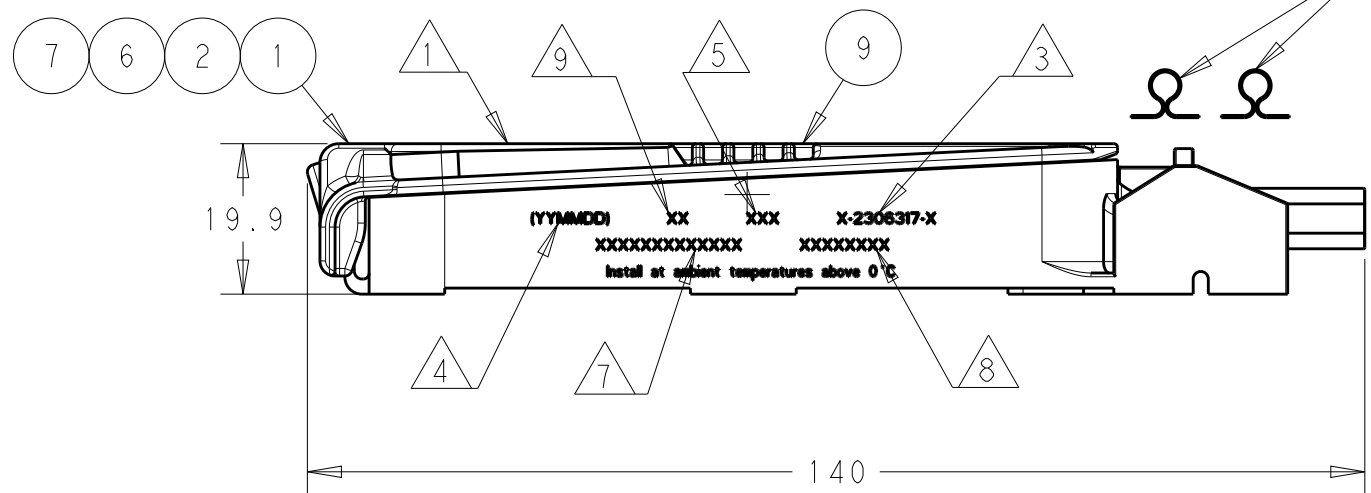
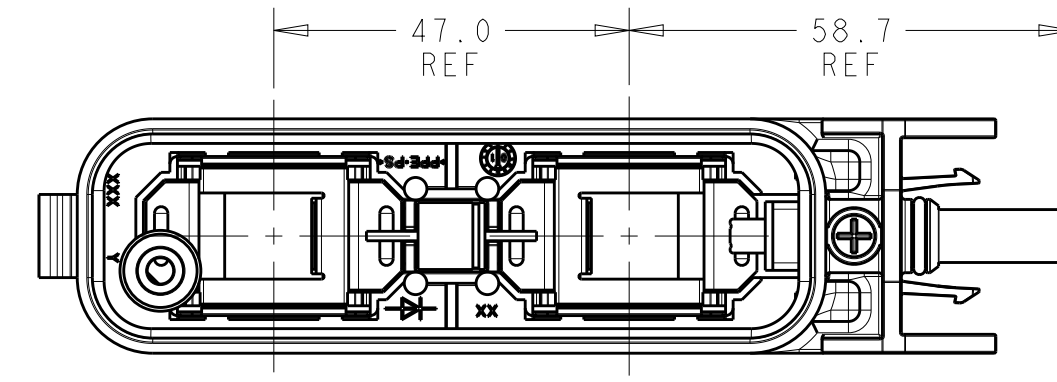
THIS DRAWING IS UNPUBLISHED. RELEASED FOR PUBLICATION  
 © COPYRIGHT copyright.d8te- ALL RIGHTS RESERVED.

| REVISIONS |     |             |      |      |
|-----------|-----|-------------|------|------|
| P         | LTR | DESCRIPTION | DATE | APVD |
| -         |     | SEE SHEET 1 | -    | -    |

LID NOT SHOWN FOR REFERENCE ONLY



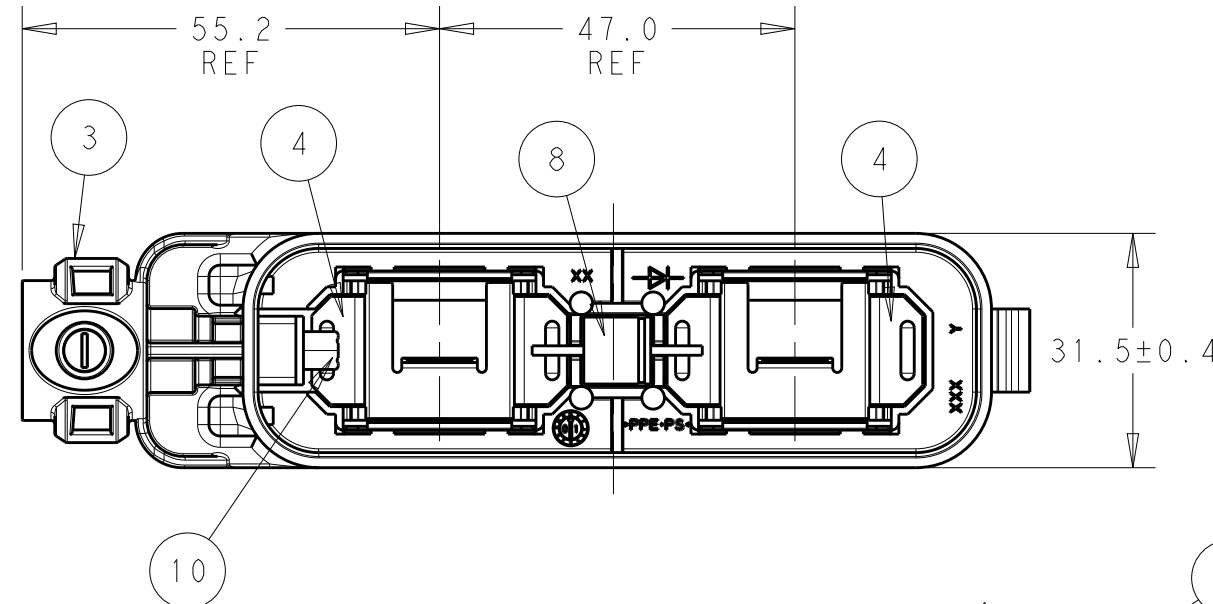
LID NOT SHOWN FOR REFERENCE ONLY



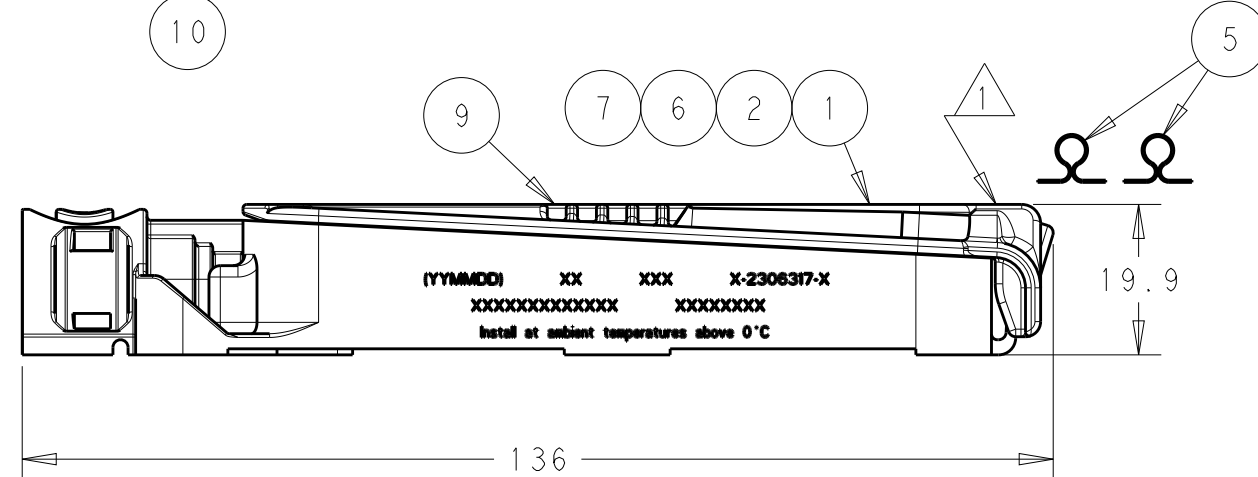
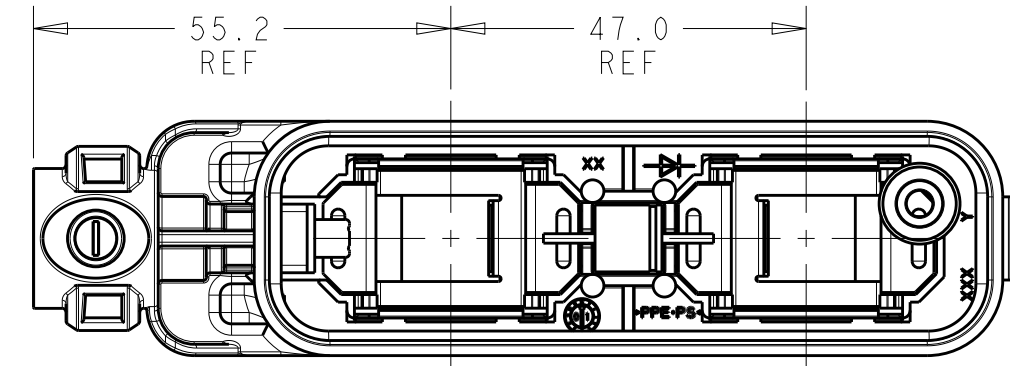
NORTH-SOUTH VERSIONS  
 2306317-1  
 1-2306317-1  
 2-2306317-1  
 3-2306317-1  
 SHOWN

EAST-WEST VERSIONS  
 4-2306317-1  
 5-2306317-1  
 6-2306317-1  
 7-2306317-1  
 SAME AS N-S VERSIONS  
 EXCEPT AS SHOWN

LID NOT SHOWN FOR REFERENCE ONLY



LID NOT SHOWN FOR REFERENCE ONLY



EAST-WEST VERSIONS  
 4-2306317-2  
 5-2306317-2  
 6-2306317-2  
 7-2306317-2  
 SAME AS N-S VERSIONS  
 EXCEPT AS SHOWN

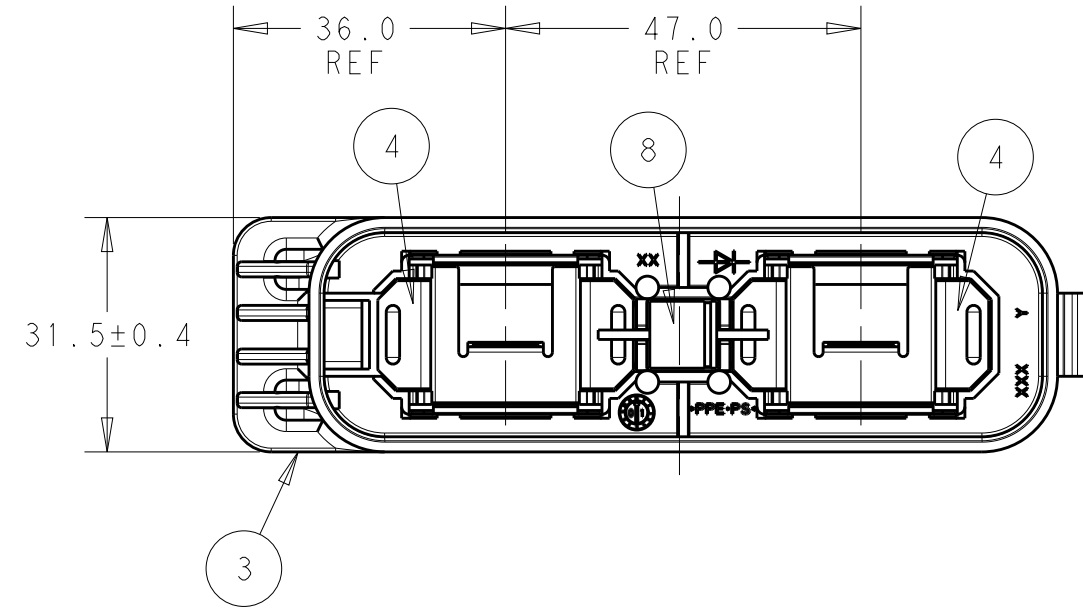
NORTH-SOUTH VERSIONS  
 2306317-2  
 1-2306317-2  
 2-2306317-2  
 3-2306317-2  
 SHOWN

|   |  |                                     |   |                        |
|---|--|-------------------------------------|---|------------------------|
| THIS DRAWING IS A CONTROLLED DOCUMENT.  |  | DWN<br>RAVLS<br>13AUG2016           | TE Connectivity                                       |                        |
| DIMENSIONS:<br>mm   |  | CHK<br>GINGRICH CHUCK<br>13AUG2016  |   |                        |
| TOLERANCES UNLESS OTHERWISE SPECIFIED:  |  | APVD<br>GINGRICH CHUCK<br>13AUG2016 | NAME<br>PV EDGE ASSEMBLY, WITHOUT FLAP,<br>OMEGA CLIP |                        |
| 0 PLC ±0.50<br>1 PLC ±0.25<br>2 PLC ±0.13<br>3 PLC ±<br>4 PLC ±<br>ANGLES ±<br>FINISH - |  | PRODUCT SPEC<br>108-32122           | RESTRICTED TO   |                        |
| MATERIAL  |  | APPLICATION SPEC<br>114-32157       | SIZE<br>A2  | CAGE CODE<br>G-2306317 |
|   |  | WEIGHT<br>-                         | DRAWING NO<br>G-2306317                               |                        |
|   |  | CUSTOMER DRAWING                    | SCALE<br>5:1  | SHEET<br>2 OF 4        |
|   |  |                                     | REV<br>A  |                        |

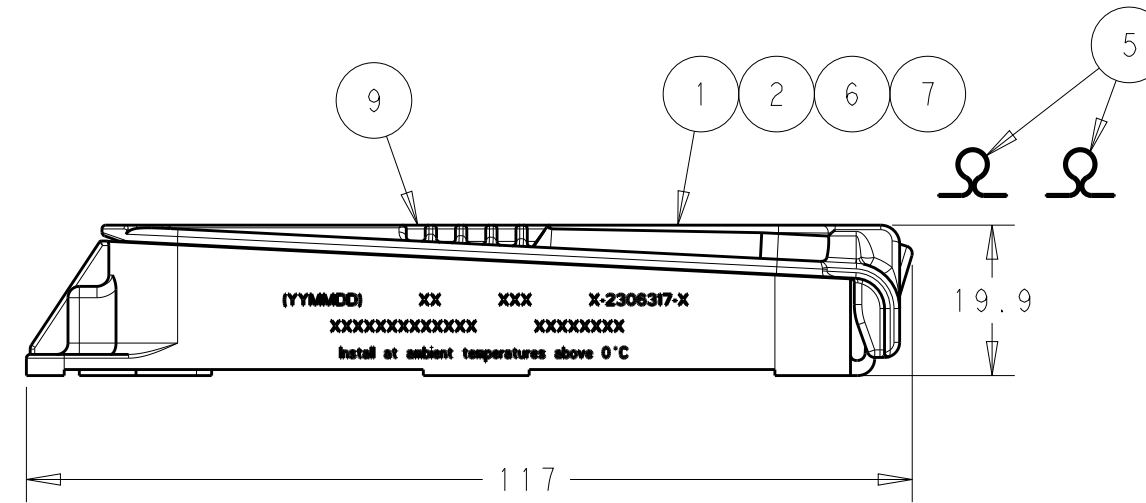
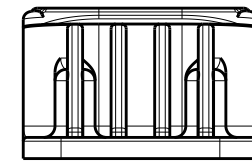
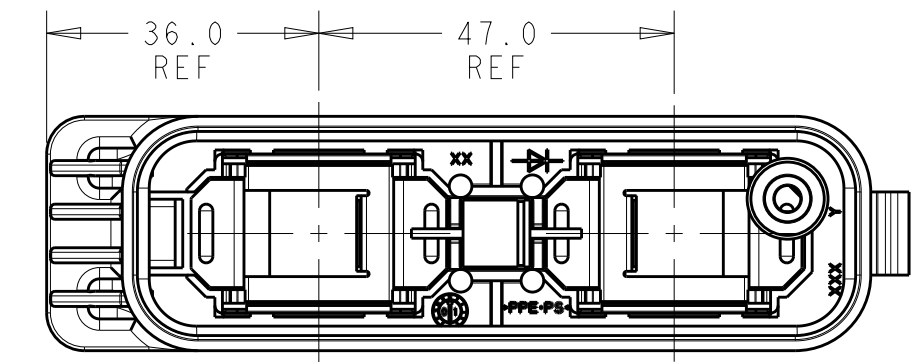
THIS DRAWING IS UNPUBLISHED. RELEASED FOR PUBLICATION  
 © COPYRIGHT copyright.d8te- ALL RIGHTS RESERVED.

| REVISIONS |     |             |      |      |
|-----------|-----|-------------|------|------|
| P         | LTR | DESCRIPTION | DATE | APVD |
| -         |     | SEE SHEET 1 | -    | -    |
|           |     |             |      |      |
|           |     |             |      |      |

LID NOT SHOWN FOR REFERENCE ONLY



LID NOT SHOWN FOR REFERENCE ONLY



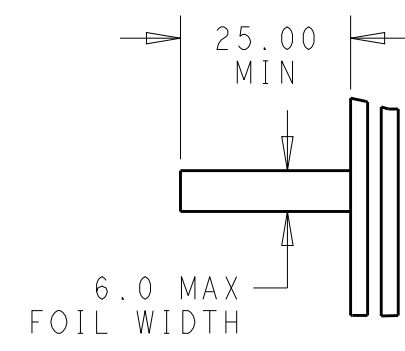
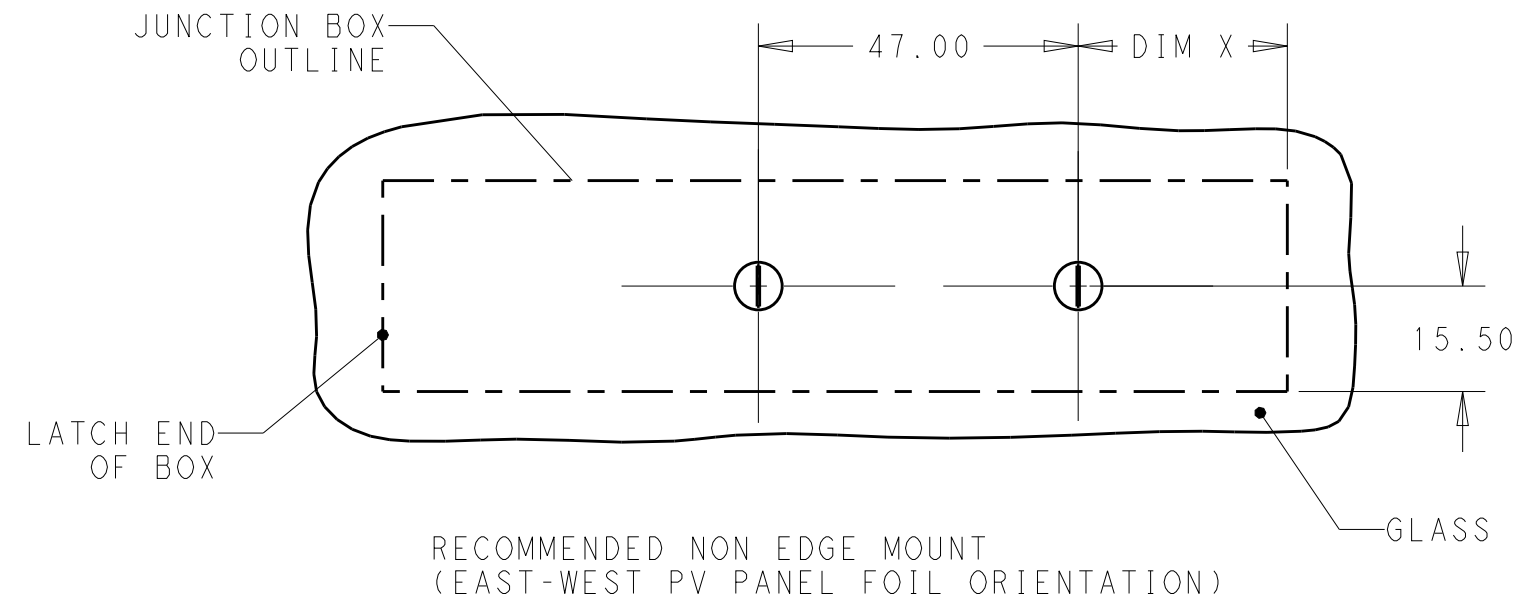
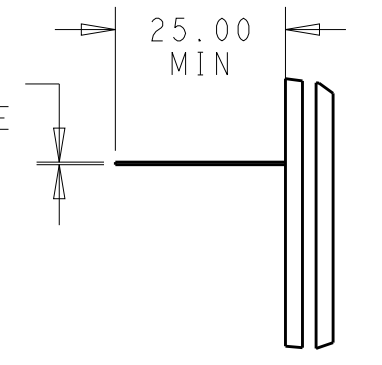
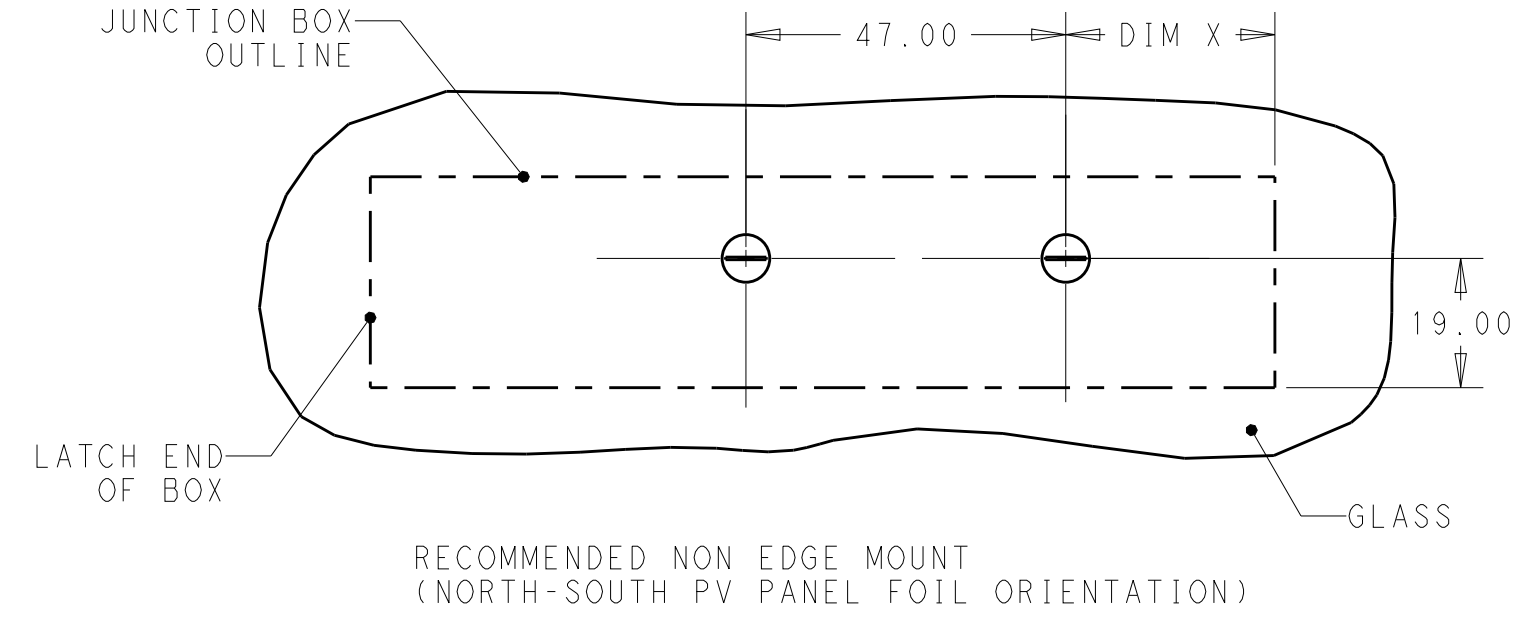
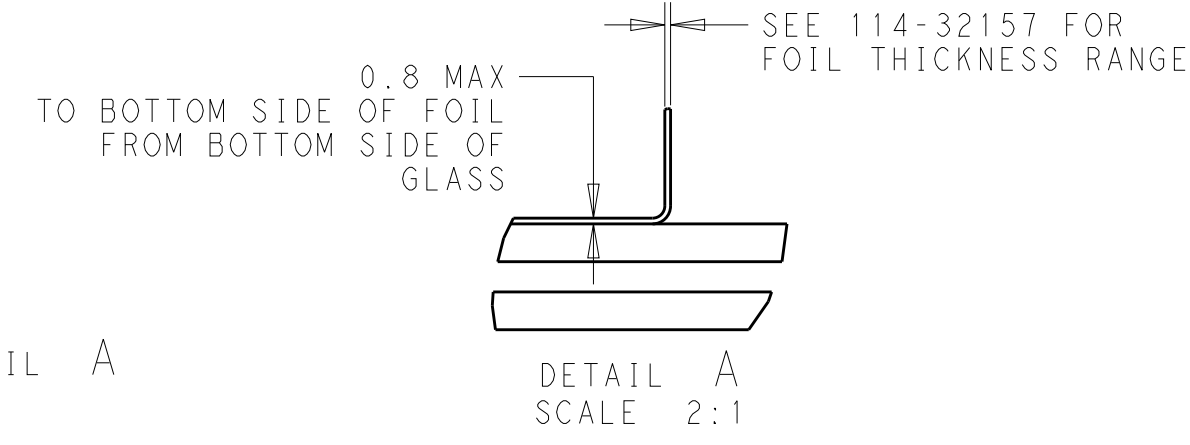
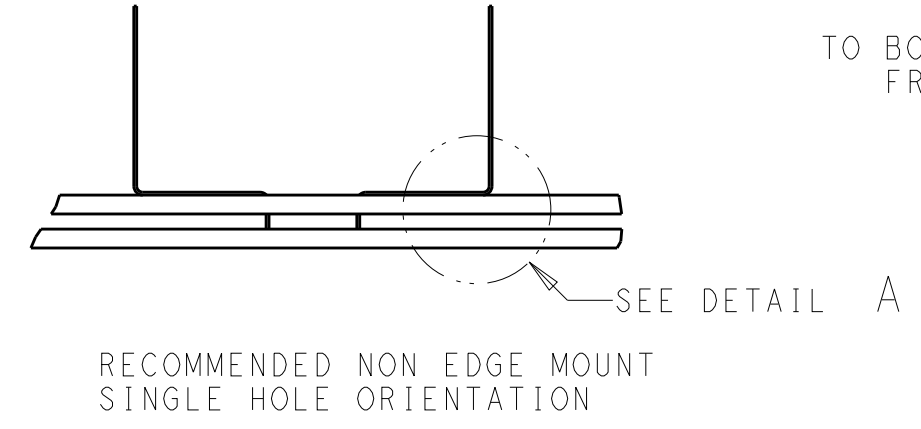
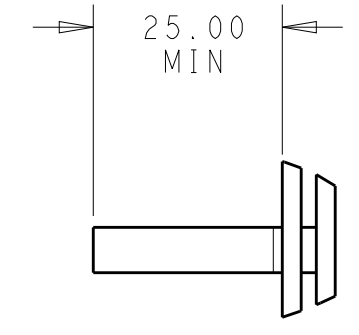
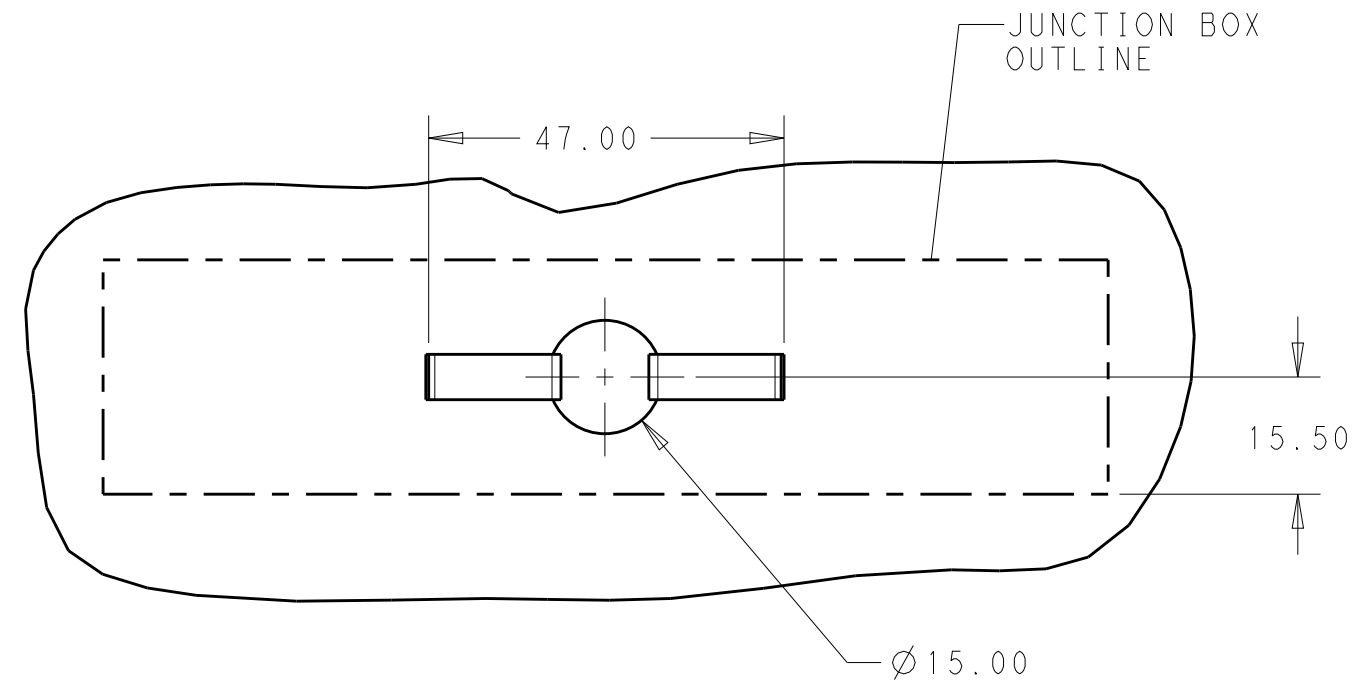
EAST-WEST VERSIONS  
 4-2306317-5  
 5-2306317-5  
 6-2306317-5  
 7-2306317-5  
 SAME AS N-S VERSIONS  
 EXCEPT AS SHOWN

NORTH-SOUTH VERSIONS  
 2306317-5  
 1-2306317-5  
 2-2306317-5  
 3-2306317-5  
 SHOWN

|  |       |                                     |   |       |       |       |       |       |   |       |   |        |   |        |   |                           |            |  |
|--|-------|-------------------------------------|---|-------|-------|-------|-------|-------|---|-------|---|--------|---|--------|---|---------------------------|------------|--|
| THIS DRAWING IS A CONTROLLED DOCUMENT.   |       | DWN<br>RAVLS<br>13AUG2016           | TE Connectivity                                       |       |       |       |       |       |   |       |   |        |   |        |   |                           |            |  |
| DIMENSIONS:<br>mm  |       | CHK<br>GINGRICH CHUCK<br>13AUG2016  |   |       |       |       |       |       |   |       |   |        |   |        |   |                           |            |  |
| TOLERANCES UNLESS OTHERWISE SPECIFIED:   |       | APVD<br>GINGRICH CHUCK<br>13AUG2016 | NAME<br>PV EDGE ASSEMBLY, WITHOUT FLAP,<br>OMEGA CLIP |       |       |       |       |       |   |       |   |        |   |        |   |                           |            |  |
| <table border="0"> <tr> <td>0 PLC</td> <td>±0.50</td> </tr> <tr> <td>1 PLC</td> <td>±0.25</td> </tr> <tr> <td>2 PLC</td> <td>±0.13</td> </tr> <tr> <td>3 PLC</td> <td>±</td> </tr> <tr> <td>4 PLC</td> <td>±</td> </tr> <tr> <td>ANGLES</td> <td>±</td> </tr> <tr> <td>FINISH</td> <td>-</td> </tr> </table> |       | 0 PLC                               | ±0.50   | 1 PLC | ±0.25 | 2 PLC | ±0.13 | 3 PLC | ± | 4 PLC | ± | ANGLES | ± | FINISH | - | PRODUCT SPEC<br>108-32122 | SIZE<br>A2 |  |
| 0 PLC  | ±0.50 |                                     |   |       |       |       |       |       |   |       |   |        |   |        |   |                           |            |  |
| 1 PLC  | ±0.25 |                                     |   |       |       |       |       |       |   |       |   |        |   |        |   |                           |            |  |
| 2 PLC  | ±0.13 |                                     |   |       |       |       |       |       |   |       |   |        |   |        |   |                           |            |  |
| 3 PLC  | ±     |                                     |   |       |       |       |       |       |   |       |   |        |   |        |   |                           |            |  |
| 4 PLC  | ±     |                                     |   |       |       |       |       |       |   |       |   |        |   |        |   |                           |            |  |
| ANGLES   | ±     |                                     |   |       |       |       |       |       |   |       |   |        |   |        |   |                           |            |  |
| FINISH   | -     |                                     |   |       |       |       |       |       |   |       |   |        |   |        |   |                           |            |  |
| MATERIAL   |       | APPLICATION SPEC<br>114-32157       | DRAWING NO<br>C-2306317                               |       |       |       |       |       |   |       |   |        |   |        |   |                           |            |  |
|  |       | WEIGHT<br>-                         | RESTRICTED TO<br>-                                    |       |       |       |       |       |   |       |   |        |   |        |   |                           |            |  |
|  |       | CUSTOMER DRAWING                    | SCALE 5:1 SHEET 3 OF 4 REV A                          |       |       |       |       |       |   |       |   |        |   |        |   |                           |            |  |

THIS DRAWING IS UNPUBLISHED. RELEASED FOR PUBLICATION  
 © COPYRIGHT copyright.d8te- ALL RIGHTS RESERVED.

| REVISIONS |     |             |      |      |
|-----------|-----|-------------|------|------|
| P         | LTR | DESCRIPTION | DATE | APVD |
| -         | -   | SEE SHEET 1 | -    | -    |
|           |     |             |      |      |
|           |     |             |      |      |



|  |  |                                     |  |                        |
|--|--|-------------------------------------|--|------------------------|
| THIS DRAWING IS A CONTROLLED DOCUMENT. |  | DWN<br>RAVLS<br>13AUG2016           | TE Connectivity                                    |                        |
| DIMENSIONS:<br>mm                      |  | CHK<br>GINGRICH CHUCK<br>13AUG2016  |  |                        |
| TOLERANCES UNLESS OTHERWISE SPECIFIED: |  | APVD<br>GINGRICH CHUCK<br>13AUG2016 | NAME<br>PV EDGE ASSEMBLY, WITHOUT FLAP, OMEGA CLIP |                        |
| 0 PLC ±0.50                            |  | PRODUCT SPEC<br>108-32122           | RESTRICTED TO                                      |                        |
| 1 PLC ±0.25                            |  | APPLICATION SPEC<br>114-32157       | SIZE<br>A2   | CAGE CODE<br>C-2306317 |
| 2 PLC ±0.13                            |  | WEIGHT<br>-                         | SCALE<br>5:1                                       | SHEET<br>4 OF 4        |
| 3 PLC ±                                |  | CUSTOMER DRAWING                    | REV<br>A   |                        |
| 4 PLC ±                                |  |                                     |  |                        |
| ANGLES ±                               |  |                                     |  |                        |
| FINISH -                               |  |                                     |  |                        |