

∅ 172x51 mm

San Ace 172 9E type   

Round type



General Specifications

- Material Frame: Aluminum, Impeller: Plastic (Flammability: UL 94V-1)
- Expected life See the table below. (L10 life: 90% survival rate for continuous operation in free air at 60°C, rated voltage)
- Motor protection function Locked rotor burnout protection, Reverse polarity protection
For details, please refer to p. 547.
- Dielectric strength 50/60 Hz, 500 VAC, for 1 minute (between lead wire conductors and frame)
- Insulation resistance 10 MΩ or more with a 500 VDC megger (between lead wire conductors and frame)
- Sound pressure level (SPL) At 1 m away from the air inlet
- Storage temperature -30 to +70°C (Non-condensing)
- Lead wire ⊕Red ⊖Black or Blue (Sensor) Yellow
- Mass 780 g

Specifications

The models listed below **have pulse sensors**.

| Model no. | Rated voltage [V] | Operating voltage range [V] | Rated current [A] | Rated input [W] | Rated speed [min ⁻¹] | Max. airflow [m ³ /min] [CFM] | Max. static pressure [Pa] [inchH ₂ O] | SPL [dB (A)] | Operating temperature [°C] | Expected life [h] |
|---------------------|-------------------|-----------------------------|-------------------|-----------------|----------------------------------|--|--|--------------|----------------------------|-------------------|
| 109E1712K501 | 12 | 10.2 to 13.8 | 2.9 | 34.8 | 4100 | 8.5 300 | 243.0 0.976 | 55 | -20 to +60 | 40000/60°C |
| 109E1712Y501 | | | 2.3 | 27.6 | 3800 | 7.8 276 | 210.0 0.843 | 53 | | |
| 109E1712H501 | | | 1.2 | 14.4 | 3050 | 6.4 226 | 137.2 0.551 | 47 | | |
| 109E1712F501 | | | 0.68 | 10.8 | 2500 | 5.1 180 | 95.0 0.382 | 42 | | |
| 109E1712M501 | | | 0.48 | 5.76 | 2000 | 4.2 148 | 67.6 0.271 | 36 | | |
| 109E1724C501 | 24 | 20.4 to 27.6 | 2.3 | 55.2 | 4800 | 9.9 350 | 308.0 1.237 | 60 | -20 to +70 | |
| 109E1724K501 | | | 1.3 | 31.2 | 4100 | 8.5 300 | 243.0 0.976 | 55 | | |
| 109E1724H501 | | | 0.58 | 13.92 | 3050 | 6.4 226 | 137.2 0.551 | 47 | | |
| 109E1724F501 | | | 0.35 | 8.4 | 2500 | 5.1 180 | 95 0.382 | 42 | | |
| 109E1724M501 | | | 0.2 | 4.8 | 2000 | 4.2 148 | 67.6 0.271 | 36 | | |
| 109E1748C501 | 48 | 40.8 to 55.2 | 1.2 | 57.6 | 4800 | 9.9 350 | 308.0 1.237 | 60 | -20 to +60 | |
| 109E1748K501 | | | 0.7 | 33.6 | 4100 | 8.5 300 | 243.0 0.976 | 55 | | |
| 109E1748H501 | | | 0.28 | 13.44 | 3050 | 6.4 226 | 137.2 0.551 | 47 | | |
| 109E1748F501 | | | 0.19 | 9.12 | 2500 | 5.1 180 | 95 0.382 | 42 | | |
| 109E1748M501 | | | 0.11 | 5.28 | 2000 | 4.2 148 | 67.6 0.271 | 36 | | |

The following sensor and control options are available for selection.

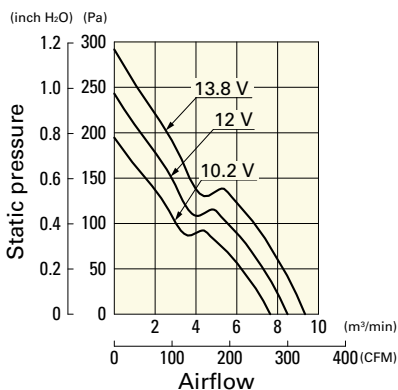
Available for all models. **Without sensor**

Differs according to the model. Refer to the table on p. 561. **Lock sensor** **PWM control**

Airflow - Static Pressure Characteristics

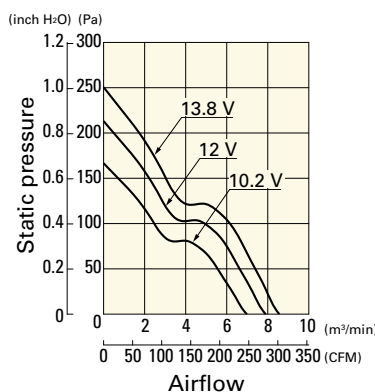
109E1712K501 With pulse sensor

Operating voltage range



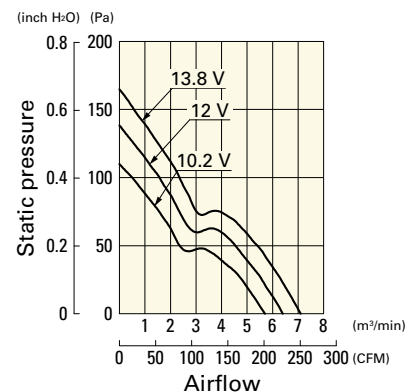
109E1712Y501 With pulse sensor

Operating voltage range

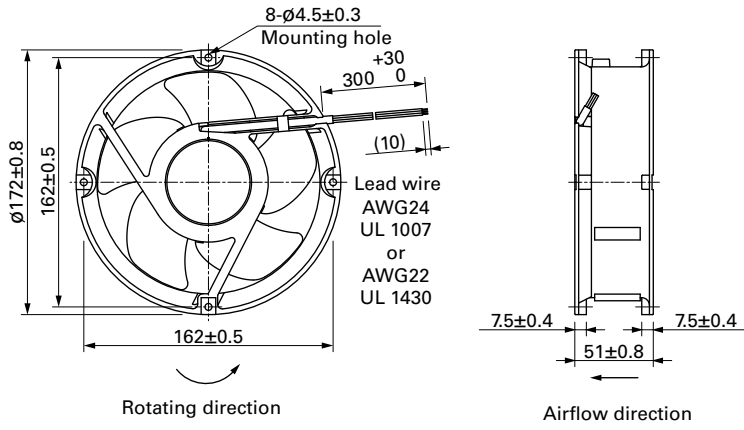


109E1712H501 With pulse sensor

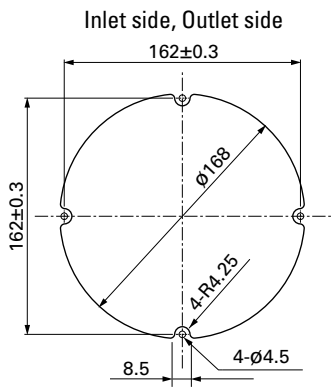
Operating voltage range



■ Dimensions (unit: mm)



■ Reference Dimensions of Mounting Holes and Vent Opening (unit: mm)



■ Options

Finger guards

page: p. 534

Model no.: 109-1066, 109-1068, 109-319E, 109-319H,
109-320