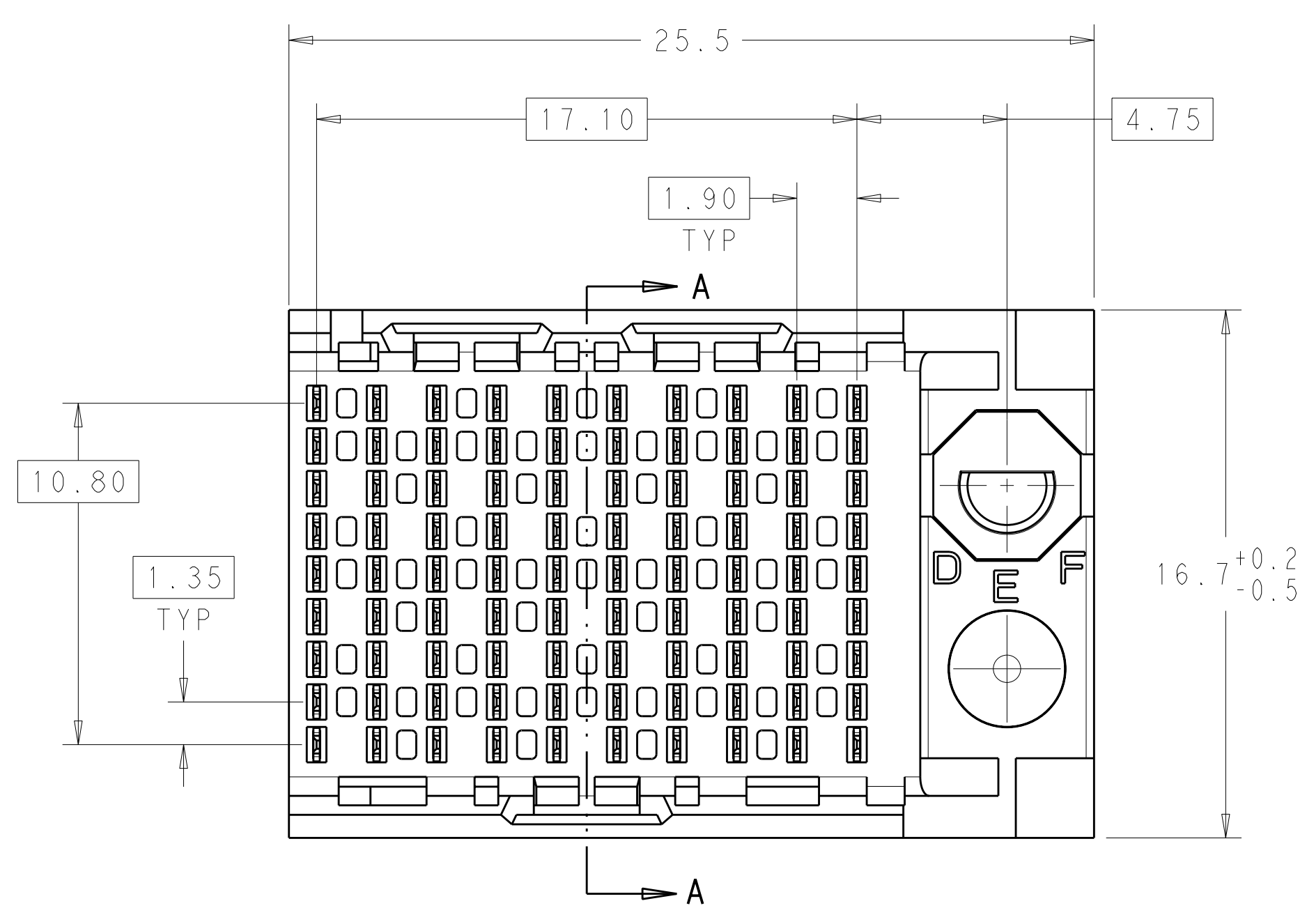
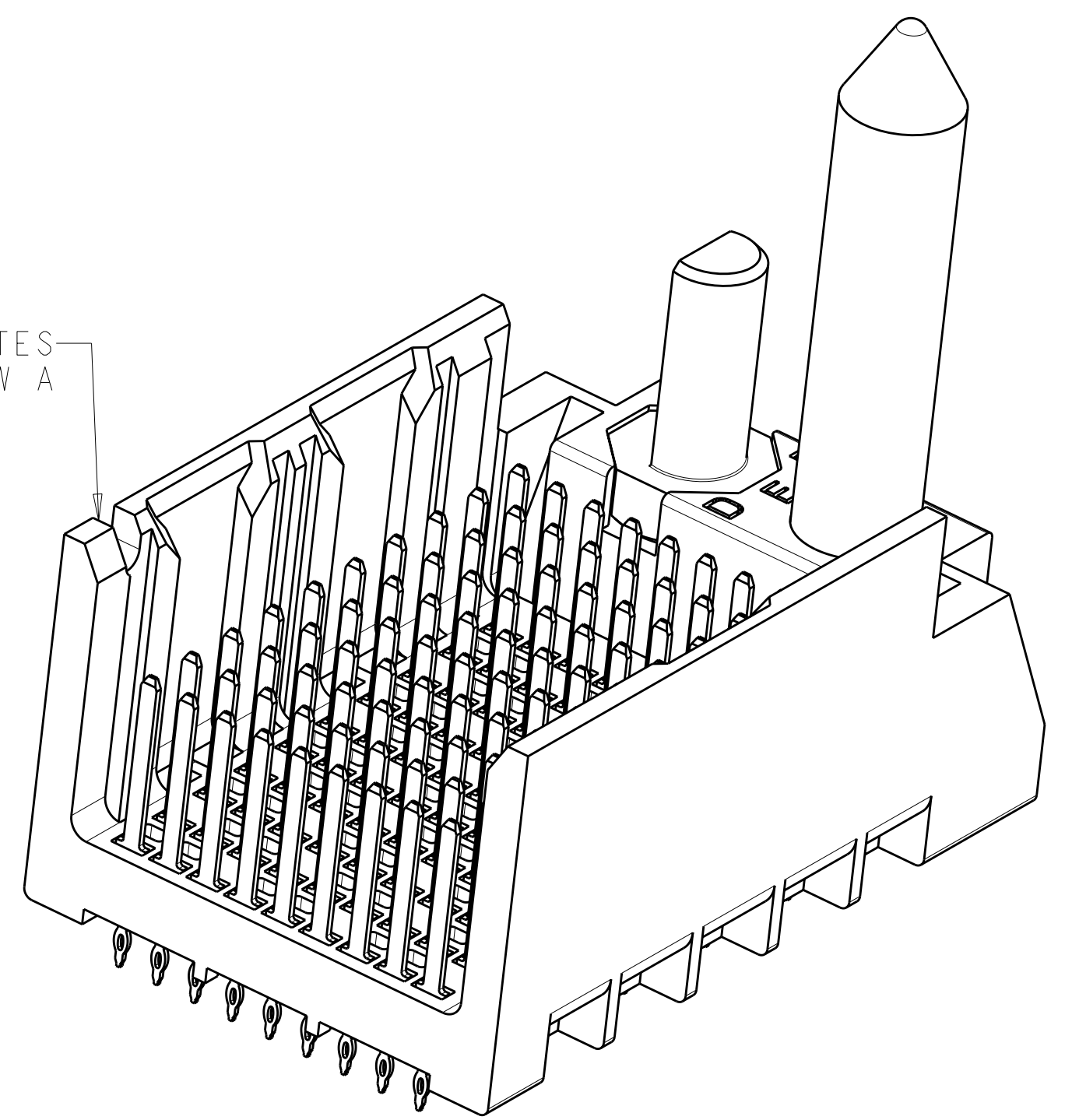


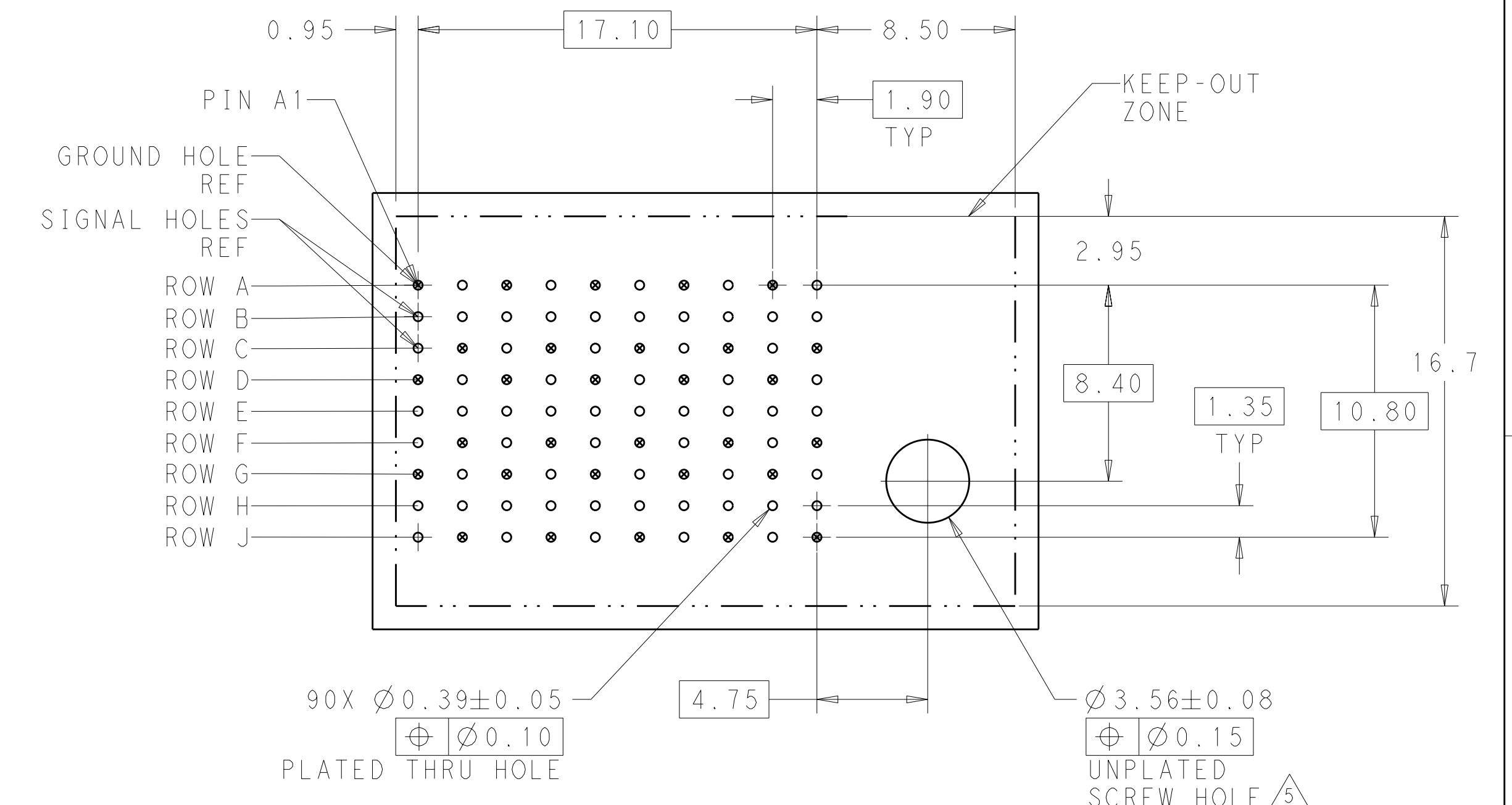
LOC	DIST	REV	DATE	BY	APPD
AD	00	C	22DEC11	KH	DY
REVISIONS			DESCRIPTION	DATE	DWN
C			REVISED PER ECO-11-025276	22DEC11	KH



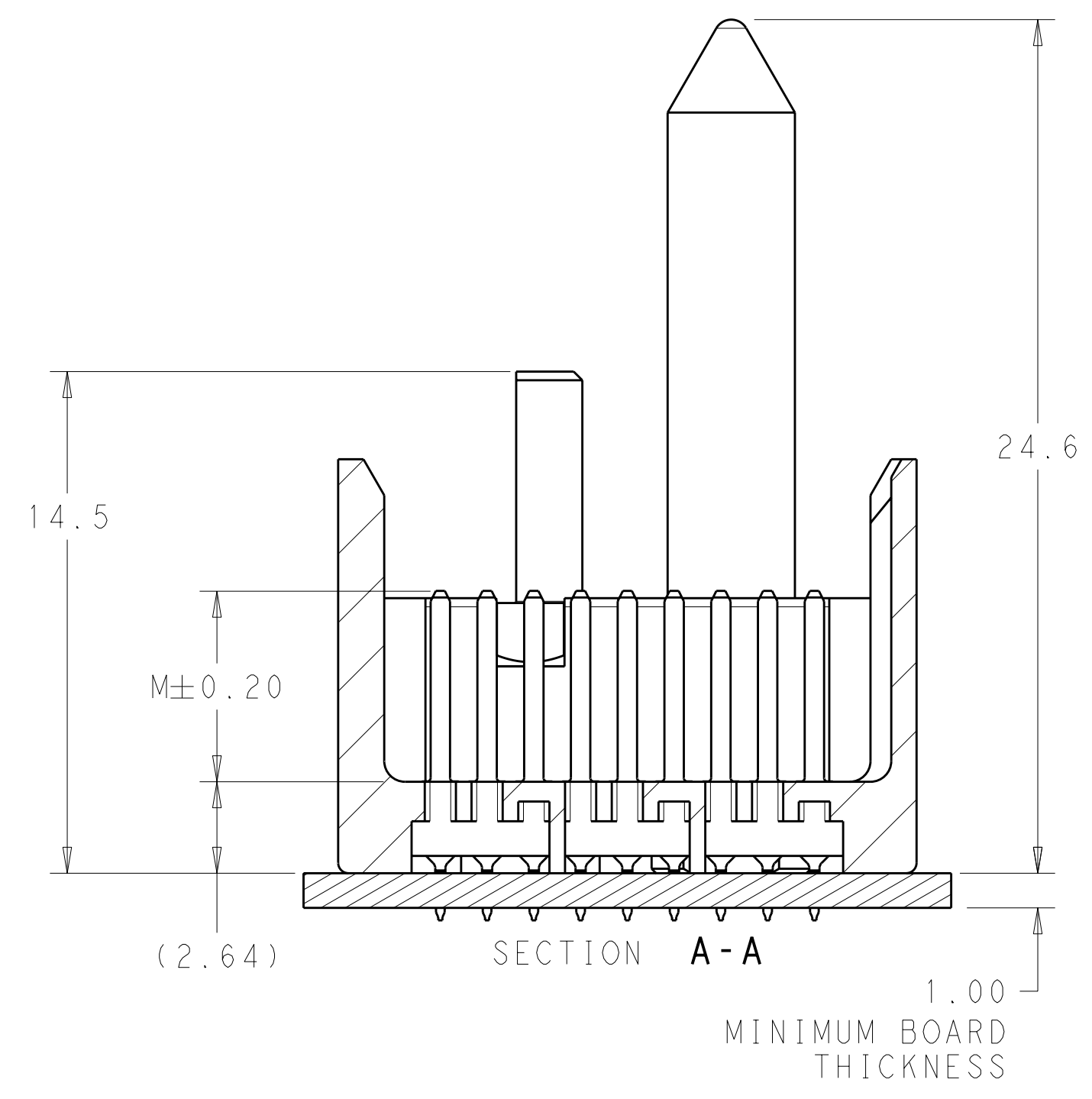
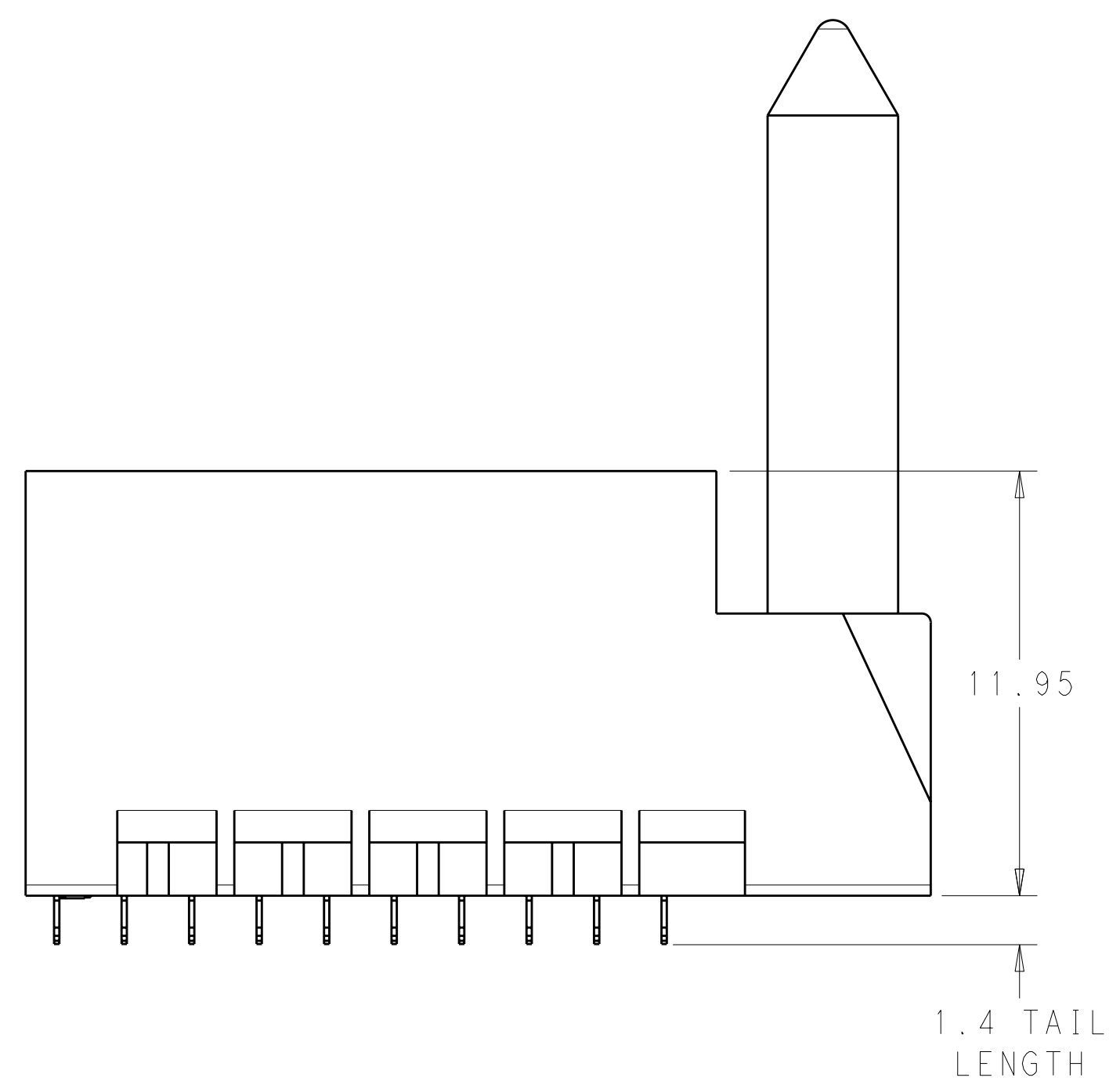
NOTCH DESIGNATES ROW A



- 1 MATERIAL:
HOUSING: LCP, GLASS FILLED, UL94V-0.
TERMINALS: HIGH PERFORMANCE COPPER ALLOY.
- 2 FINISH:
30μ" MIN GOLD IN CONTACT AREA. SELECTIVE TIN ON PCB TAILS, NICKEL OVERALL.
- 3 FINISH:
30μ" MIN GOLD IN CONTACT AREA. SELECTIVE TIN-LEAD ON PCB TAILS, NICKEL OVERALL.
- 4. SCREWS PACKAGED IN END OF PACKAGING TUBE.
- 5 FOR GROUNDED GUIDE PIN USE $\varnothing 3.56 \pm 0.08$ PTH, $\varnothing 3.66$ DRILL, AND $\varnothing 6.5$ PAD.
- 6. KEYING PIN SHOWN IN POSITION A, SEE KEYING CHART ON SHEET 2 FOR OTHER POSITIONS.



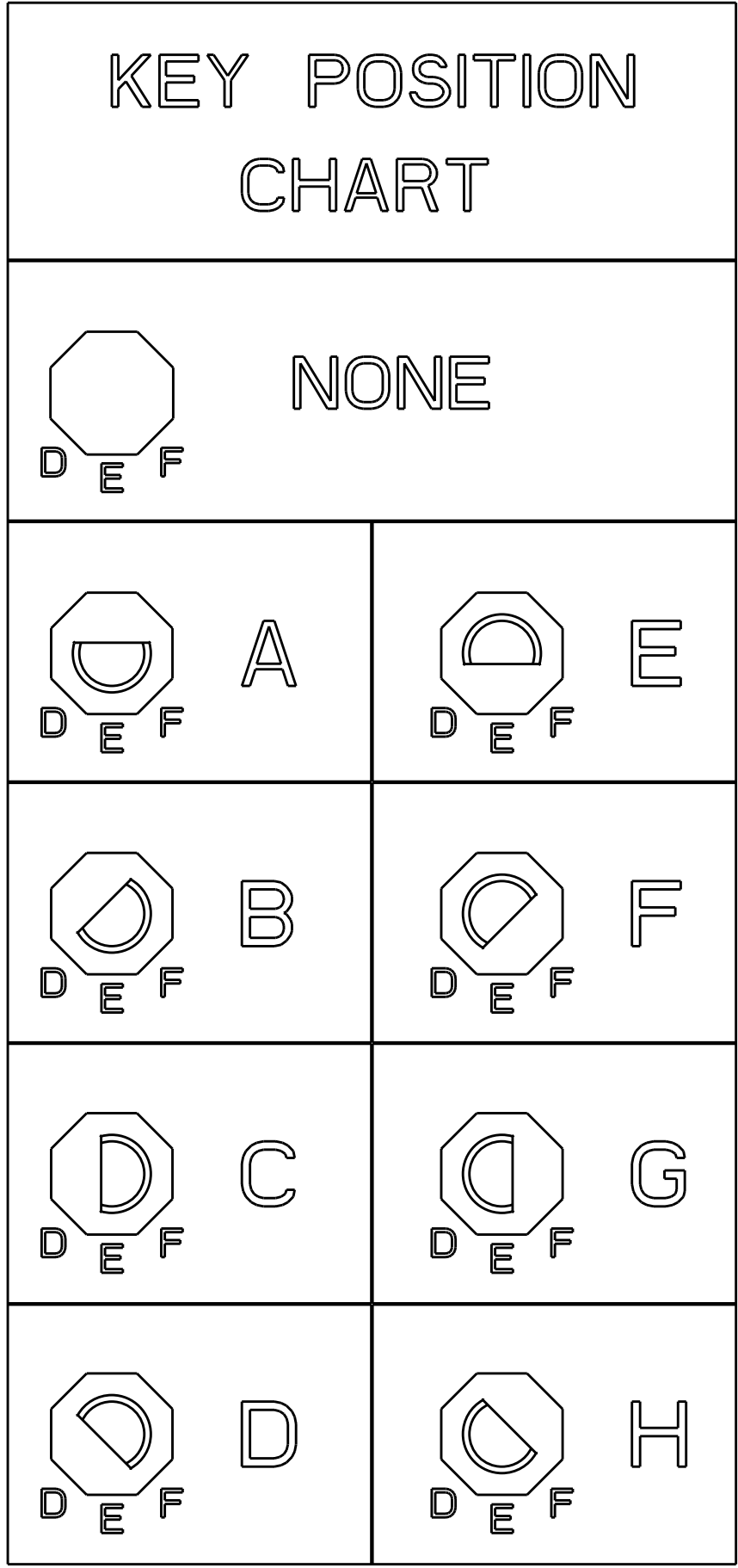
RIGHT GUIDED BACKPLANE HOLE PATTERN (CONNECTOR SIDE)



THIS DRAWING IS A CONTROLLED DOCUMENT.		DWN J. K. SHOBER 22DEC11	TE Connectivity
DIMENSIONS: mm		CHK J. EARY 22DEC11	
TOLERANCES UNLESS OTHERWISE SPECIFIED:		APVD J. EARY 22DEC11	NAME IMPACT, 3 PAIR, 10 COLUMN, HEADER
9 PLC ±		PRODUCT SPEC	RIGHT GUIDED, OPEN END WALL
1 PLC ±0.25		APPLICATION SPEC	SIGNAL MODULE, 0.39 PTH
3 PLC ±0.13		SIZE CAGE CODE DRAWING NO	A100779C=2007781
5 PLC ±		WEIGHT	RESTRICTED TO
4 PLC ±		CUSTOMER DRAWING	SCALE 6:1 SHEET 1 OF 2 REV C
ANGLES ±			
FINISH SEE TABLE			

LOC		DIST		REVISIONS			
AD	00	P	LTB	DESCRIPTION	DATE	DWN	APVD
		-	-	SEE SHEET 1	-	-	-

3	H	5.5	8-2007781-6
3	H	4.9	8-2007781-5
3	H	4.5	8-2007781-4
2	H	5.5	8-2007781-3
2	H	4.9	8-2007781-2
2	H	4.5	8-2007781-1
3	G	5.5	7-2007781-6
3	G	4.9	7-2007781-5
3	G	4.5	7-2007781-4
2	G	5.5	7-2007781-3
2	G	4.9	7-2007781-2
2	G	4.5	7-2007781-1
3	F	5.5	6-2007781-6
3	F	4.9	6-2007781-5
3	F	4.5	6-2007781-4
2	F	5.5	6-2007781-3
2	F	4.9	6-2007781-2
2	F	4.5	6-2007781-1
3	E	5.5	5-2007781-6
3	E	4.9	5-2007781-5
3	E	4.5	5-2007781-4
2	E	5.5	5-2007781-3
2	E	4.9	5-2007781-2
2	E	4.5	5-2007781-1
3	D	5.5	4-2007781-6
3	D	4.9	4-2007781-5
3	D	4.5	4-2007781-4
2	D	5.5	4-2007781-3
2	D	4.9	4-2007781-2
2	D	4.5	4-2007781-1
3	C	5.5	3-2007781-6
3	C	4.9	3-2007781-5
3	C	4.5	3-2007781-4
2	C	5.5	3-2007781-3
2	C	4.9	3-2007781-2
2	C	4.5	3-2007781-1
3	B	5.5	2-2007781-6
3	B	4.9	2-2007781-5
3	B	4.5	2-2007781-4
2	B	5.5	2-2007781-3
2	B	4.9	2-2007781-2
2	B	4.5	2-2007781-1
3	A	5.5	1-2007781-6
3	A	4.9	1-2007781-5
3	A	4.5	1-2007781-4
2	A	5.5	1-2007781-3
2	A	4.9	1-2007781-2
2	A	4.5	1-2007781-1
3	-	5.5	2007781-6
3	-	4.9	2007781-5
3	-	4.5	2007781-4
2	-	5.5	2007781-3
2	-	4.9	2007781-2
2	-	4.5	2007781-1
FINISH	KEY POSITION	DIM M	PART NUMBER



REFER TO WWW.TE.COM
FOR PRODUCT AVAILABILITY

THIS DRAWING IS A CONTROLLED DOCUMENT.		DWN J. K. SHOBER	22DEC11	TE TE Connectivity											
DIMENSIONS: mm		CHK J. EBY	22DEC11												
TOLERANCES UNLESS OTHERWISE SPECIFIED:		APVD J. EBY	22DEC11	NAME IMPACT, 3 PAIR, 10 COLUMN, HEADER RIGHT GUIDED, OPEN END WALL SIGNAL MODULE, 0.39 PTH											
<table border="1" style="font-size: 8px;"> <tr><td>9 PLC</td><td>±</td></tr> <tr><td>7 PLC</td><td>±0.25</td></tr> <tr><td>5 PLC</td><td>±0.13</td></tr> <tr><td>4 PLC</td><td>±</td></tr> <tr><td>ANGLES</td><td>±</td></tr> <tr><td>FINISH</td><td>±</td></tr> </table>		9 PLC	±		7 PLC	±0.25	5 PLC	±0.13	4 PLC	±	ANGLES	±	FINISH	±	PRODUCT SPEC
9 PLC	±														
7 PLC	±0.25														
5 PLC	±0.13														
4 PLC	±														
ANGLES	±														
FINISH	±														
MATERIAL		APPLICATION SPEC		SIZE CAGE CODE DRAWING NO											
SEE TABLE		WEIGHT		A100779C=2007781											
		CUSTOMER DRAWING		RESTRICTED TO											
		SCALE	5:1	SHEET 2 OF 2 REV C											