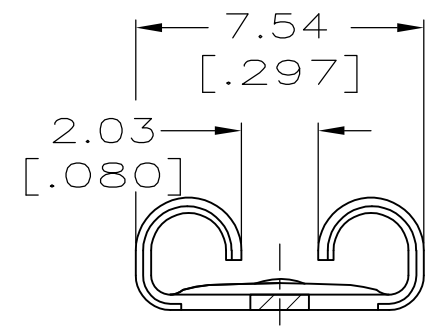
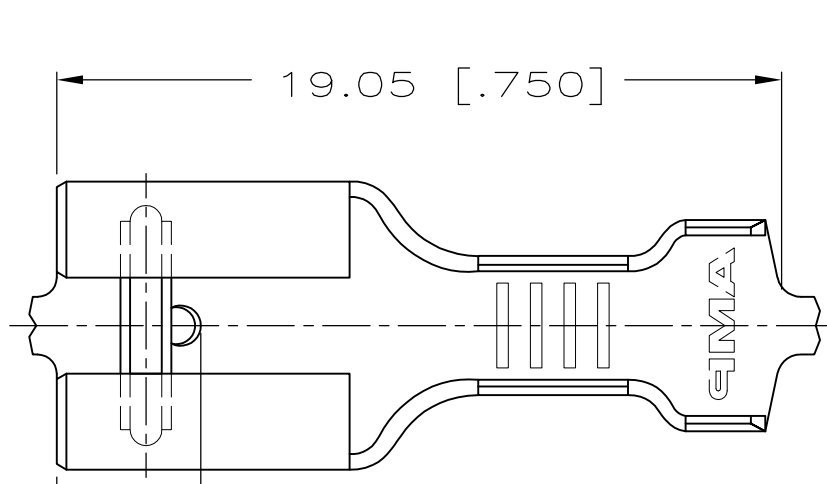


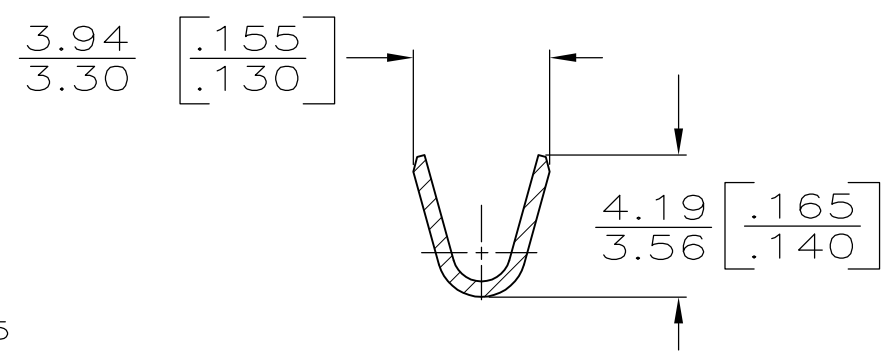
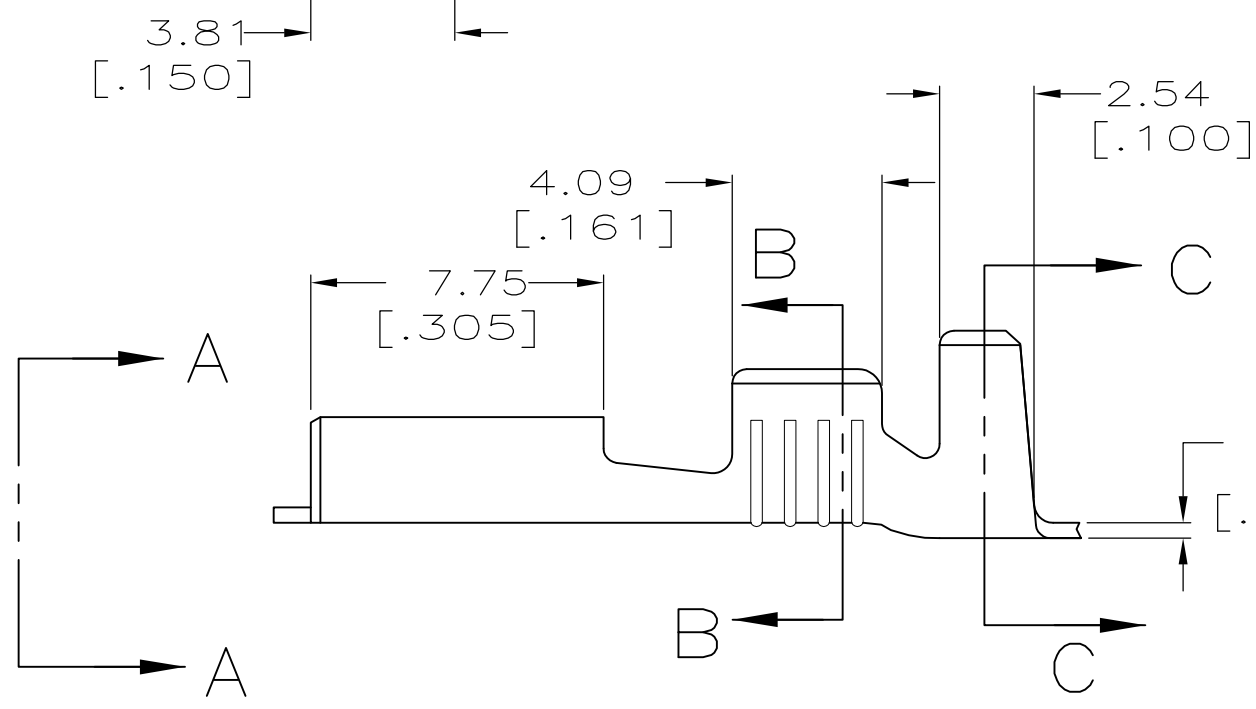
THIS DRAWING IS UNPUBLISHED. RELEASED FOR PUBLICATION  
 © COPYRIGHT - By - ALL RIGHTS RESERVED.

LOC	DIST	REVISIONS			
P	LTR	DESCRIPTION	DATE	DWN	APVD
AF	50				
	D	REVISED PER ECR-12-013518	23NOV2012	KH	PD

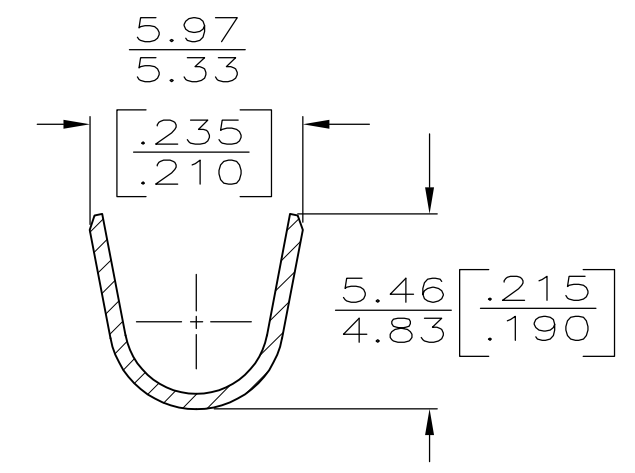
- CONTINUOUS STRIP ON REELS.
- WIRE SIZE IS [#18-#14] AWG.
- MATING TAB THK IS  $0.81 \pm 0.025$  [.032 ± .001]
- INSULATION RANGE IS 3.05-4.32 [.120-.170] DIA.



VIEW A-A




SECTION B-B



SECTION C-C

1217272-1  
 PART NO.

THIS DRAWING IS A CONTROLLED DOCUMENT.		DWN	JR RUTH	15NOV99	 TE Connectivity								
DIMENSIONS: mm [INCHES]		CHK	MS FEHER	15NOV99									
TOLERANCES UNLESS OTHERWISE SPECIFIED:		APVD	D BRATINA	15NOV99									
0 PLC ± - 1 PLC ± - 2 PLC ± 0.25 [.010] 3 PLC ± - 4 PLC ± - ANGLES ± -		PRODUCT SPEC	NAME			RECEPTACLE, FASTON, 6.35 [.250] SERIES							
MATERIAL	BRASS	FINISH	-	WEIGHT	-	SIZE	A3	CAGE CODE	00779	DRAWING NO	C-1217272	RESTRICTED TO	-
CUSTOMER DRAWING						SCALE	5:1	SHEET	1 OF 1	REV	D		