

**PLEASE CHECK WWW.MOLEX.COM FOR LATEST PART INFORMATION**

**Part Number:** **5034730200**  
**Status:** **Active**  
**Description:** Flexi-Mate 3.70mm Pitch Wire-to-Board Plug Housing, Right-Angle, 3.00mm Stacking Height, 2 Circuits

**Documents:**

<a href="#">3D Model</a>	<a href="#">Application Specification AS-503471-001-061 (PDF)</a>
<a href="#">Drawing (PDF)</a>	<a href="#">Packaging Specification SPK-503473-001-001 (PDF)</a>
<a href="#">Product Specification 5034710000-000 (PDF)</a>	<a href="#">RoHS Certificate of Compliance (PDF)</a>
<a href="#">Product Specification PS-503471-001-001 (PDF)</a>	

**Agency Certification**

UL E29179

**General**

Product Family	Crimp Housings
Series	503473
Application	Signal, Wire-to-Board
Product Name	Flexi-Mate
UPC	883906918675

**Physical**

Circuits (maximum)	2
Color - Resin	White
Flammability	94HB
Gender	Plug
Glow-Wire Capable	No
Keying to Mating Part	Yes
Lock to Mating Part	Yes
Net Weight	165.000/mg
Number of Rows	1
Packaging Type	Bag
Panel Mount	No
Pitch - Mating Interface	3.70mm
Polarized to Mating Part	Yes
Stackable	No
Temperature Range - Operating	-40° to +85°C

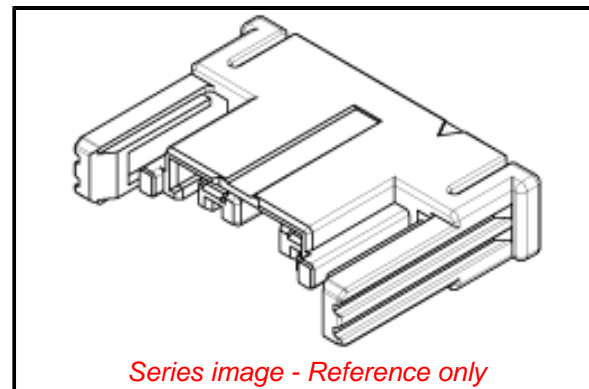
**Electrical**

Current - Maximum per Contact 2.0A

**Material Info**

**Reference - Drawing Numbers**

Application Specification	AS-503471-001-061
Packaging Specification	SPK-503473-001-001
Product Specification	5034710000-000, PS-503471-001-001
Sales Drawing	SD-503473-001



**EU ELV**

**Not Relevant**

**EU RoHS**

**Compliant**

**REACH SVHC**

Not Contained Per  
-ED/88/2018 (15  
January 2019)

**Halogen-Free**

**Status**

**Not Low-Halogen**

For more information, please visit [Contact US](#)

China ROHS

ELV

RoHS Phthalates

**China RoHS**

Green Image

Not Relevant

Not Contained

**Search Parts in this Series**

503473 Series

**Mates With**

503471 PCB Receptacle

**Use With**

503485 Crimp Terminal