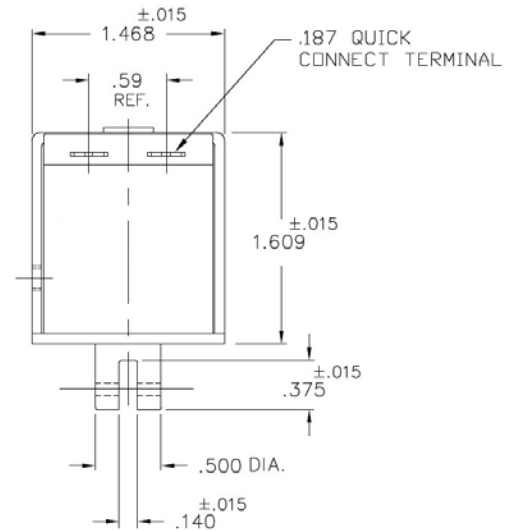
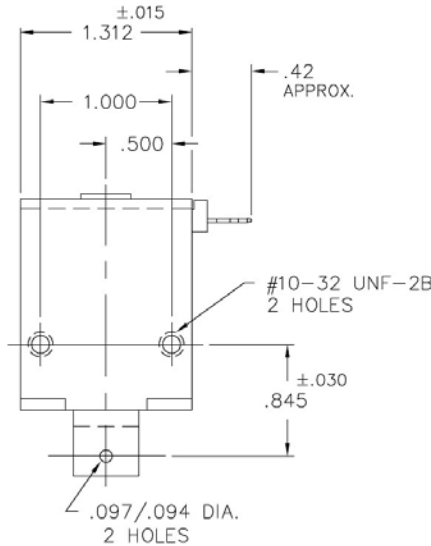


# Model B22

# DC Pull Box Frame Solenoid

Size: 1.61" L x 1.31" W x 1.47" H

ALL PRODUCTS ARE RoHS COMPLIANT



Solenoid shown energized with plunger fully seated

| Part No.     | Duty Cycle   | Voltage | Resistance (Ω) ± 5% | Max On Time | Power (W) | Current (A) |
|--------------|--------------|---------|---------------------|-------------|-----------|-------------|
| B22-255-M-36 | Intermittent | 12 VDC  | 3.64                | 23 Secs     | 39.6      | 3.30        |
| B22-254-M-36 | Continuous   | 12 VDC  | 14.55               | ∞           | 9.9       | 0.82        |
| B22-254-M-36 | Intermittent | 24 VDC  | 14.55               | 23 Secs     | 39.6      | 1.65        |
| B22-253-M-36 | Continuous   | 24 VDC  | 58.18               | ∞           | 9.9       | 0.41        |

Continuous Duty = 100% "On" Time  
 Intermittent Duty = 25% "On" Time  
 When ordering please refer to Part No. as listed above  
 Please consult factory for custom configurations

| Stroke (in.)      | Typical Pull Force (oz.) |       |       |       |       |       |       |       | Holding Force (oz.) |
|-------------------|--------------------------|-------|-------|-------|-------|-------|-------|-------|---------------------|
|                   | 0.020                    | 0.040 | 0.060 | 0.080 | 0.125 | 0.250 | 0.375 | 0.500 |                     |
| Continuous Duty   | 112.0                    | 80.0  | 68.8  | 56.0  | 35.2  | 16.0  | 9.6   | 6.4   | 128.0               |
| Intermittent Duty | 176.0                    | 153.6 | 144.0 | 131.0 | 112.0 | 63.2  | 36.8  | 24.5  | N/A                 |

**Additional Specifications:**

- Dielectric Strength: 1500 VRMS
- Recommended Heat Sink: All force values shown are with no heat sink and 20°C ambient temperature
- Coil Insulation: Class "A" - 105°C max temperature
- Total Unit Weight: 7.5 oz. / 212.6 g
- Plunger Weight: 1.4 oz. / 39.7 g