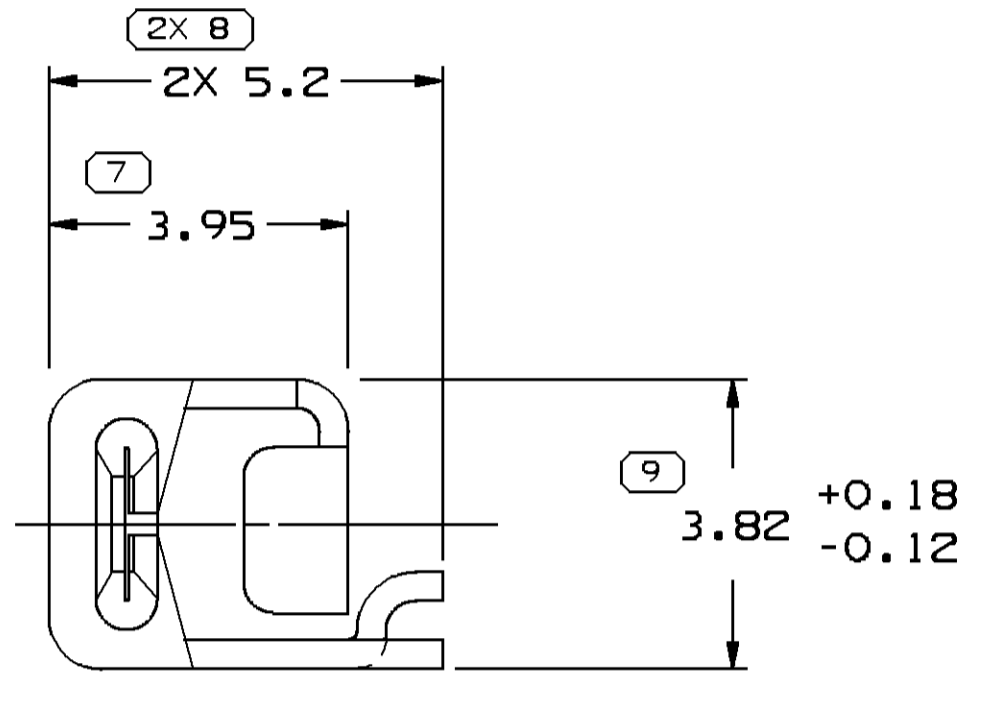
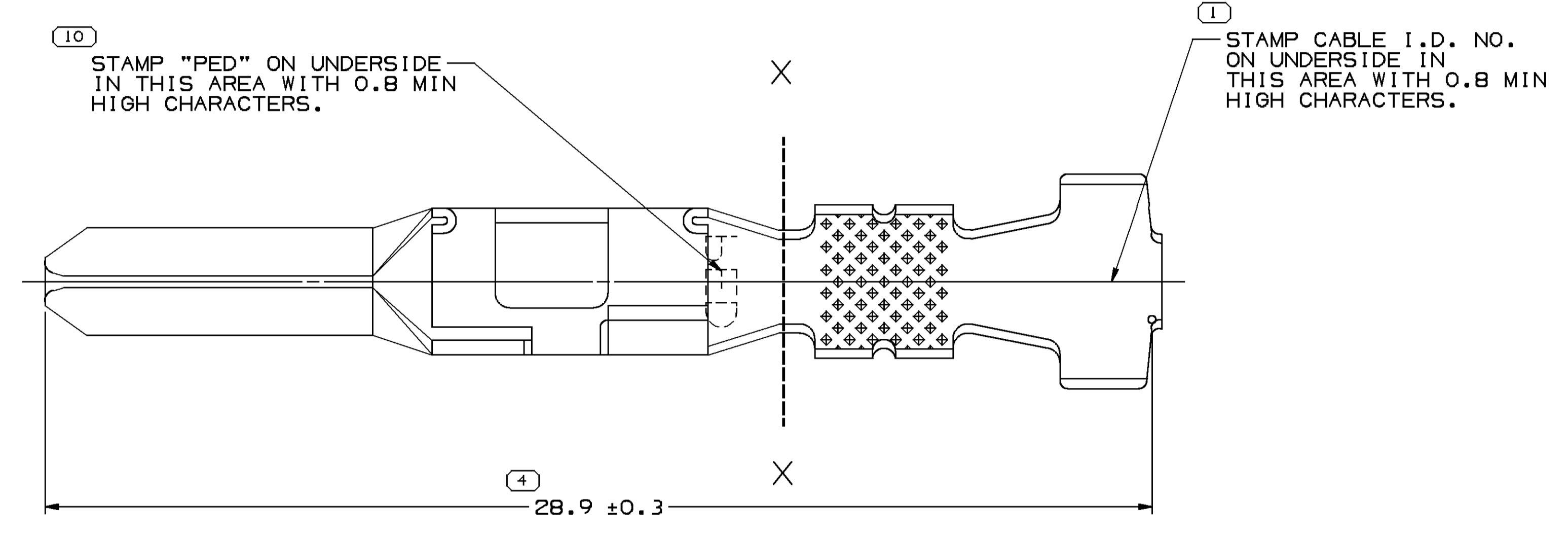


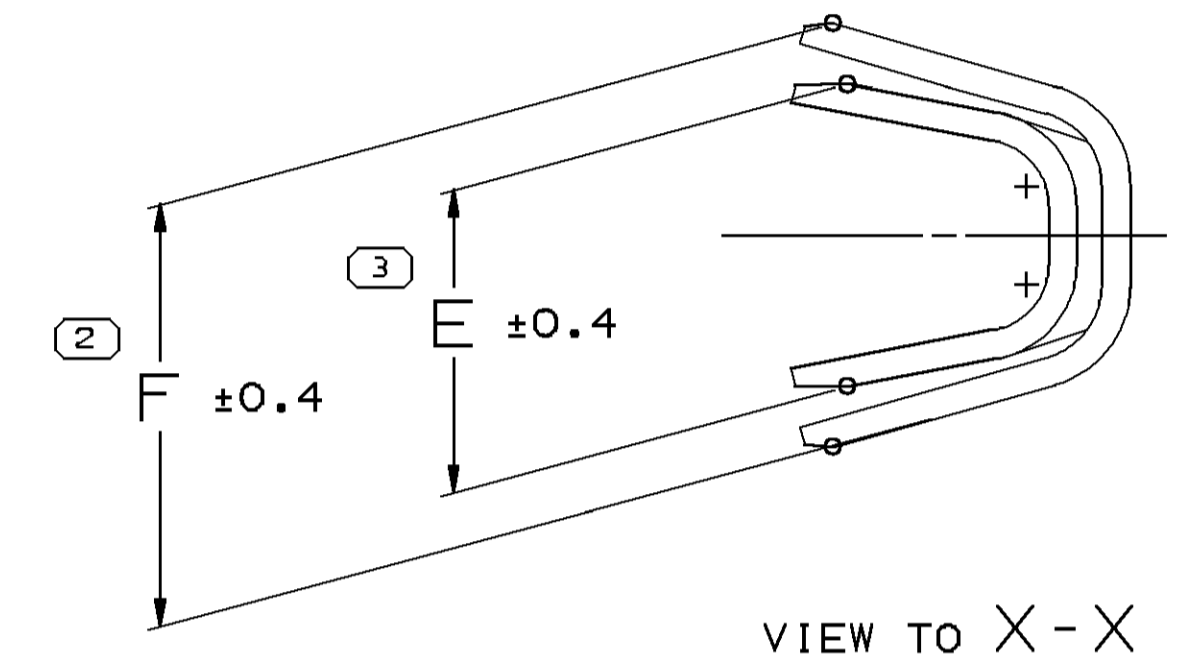
TYPE 102  
SAME AS TYPE 101  
EXCEPT AS SHOWN



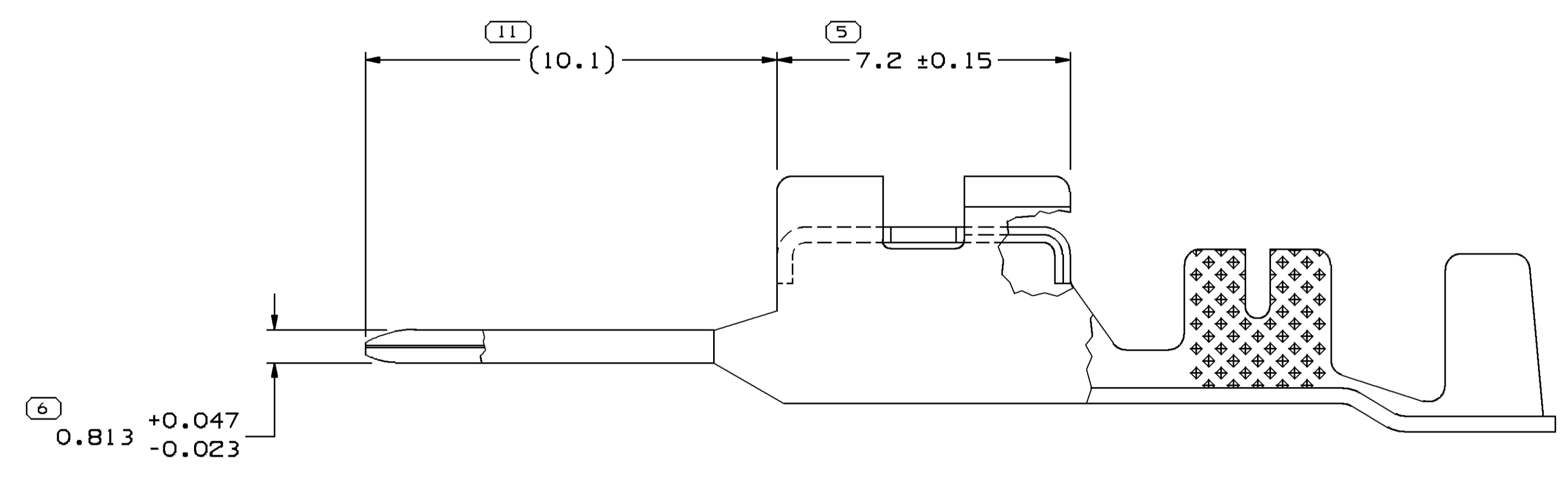
VIEW TO X-X



TYPE 101



VIEW TO X-X



NOTES

- UNLESS OTHERWISE SPECIFIED AND/OR INDICATED: DIMENSIONS ARE TO FACE OF VIEW SHOWN AND AUTOMATICALLY ROUNDED BY COMPUTER FOR INSPECTION (SEE MATH MODEL FOR PRECISE DIMENSIONS). FOR ALL OTHER DIMENSIONS NOT SHOWN BUT REQUIRED FOR TOOL BUILD, SEE MATH MODEL FOR PRECISE TOOL PATH DATA.
- MATING TERMINAL 12084995 OR EQUIVALENT.
- \* DENOTES DIMENSIONS MADE AT CUT-OFF AND CRIMP DIE.
- COIN ON INSULATION WING NOT REQUIRED WHEN MATERIAL THICKNESS IS 0.57 OR LESS.
- MAXIMUM CURRENT CAPACITY IS 25 AMPS.
- FOR SOLDERABILITY REQUIREMENTS SEE ESO-1503.

PART NO	REV	N/P	STATUS	MAT'L SPEC	MAT'L SIZE	SIZE (MM <sup>2</sup> )	CABLE DIA	ID	TYPE	E	F
12092349	C4	-	-	M3617465 METL NONFERROUS C42500 1/2 HD	0.381 X 36.12	TWO 0.35	1.69-1.47	222	102	2.7	5.2
12092348	C4	-	-	M3617465 METL NONFERROUS C42500 1/2 HD	0.381 X 36.12	TWO 0.5	2.19-1.69	220	102	3.5	5.8
12092347	C5	-	-	M3617465 METL NONFERROUS C42500 1/2 HD	0.381 X 36.12	TWO 1-0.5	2.42-1.96	217	101	4.2	6.7
12092346	C4	-	-	M3617465 METL NONFERROUS C42500 1/2 HD	0.381 X 36.12	0.5-0.35	2.19-1.47	21	102	2.4	3.8
12092345	C4	-	-	M3617465 METL NONFERROUS C42500 1/2 HD	0.381 X 36.12	1-0.8	2.64-1.96	17	102	2.8	4.4
12092344	C4	-	-	M3617465 METL NONFERROUS C42500 1/2 HD	0.381 X 36.12	3-2	3.65-2.5	13	101	4	5.6

SYMBOL DEFINITION		TOTAL NO OF INSPECTIONS REQUIRED	MISSING SYMBOL NUMBER
A DIMENSION WITHOUT AN INSPECTION REPORT SYMBOL DOES NOT REQUIRE INSPECTION. IT MAY BE CONTROLLED ON THE INDIVIDUAL COMPONENT DRAWING.		12	
	LAST NO. USED	11	

DWS STATUS				REVISION HISTORY		AUTH	DR	APVD	APVD
DATE	STG	REV	N/P	CHG	ZONE				
16JAN03	R	01	-	-		REDRAWN TO PD; ALL PARTS - UPDATED PDM ATTRIBUTES	241764	LOA	FKV JMP
14OCT03	R	02	-	-		12092347 - UPDATED PDM ATTRIBUTES	247376	AMG	AMS JMP
21OCT03	R	03	-	-		ALL PARTS - UPDATED ECL COLUMN OF CHART	247759	FKV	FKV JMP
10MR05	R	04	-	-		ALL PARTS - REVISED CARRIER DETAILS	265565	ECB	AUG WTM
04AUI10	R	05	-	-		ALL PARTS - MATERIAL SPEC WAS M3607465	411505	AHY	JVM MMC

**DELPHI**  
DELPHI PACKARD ELECTRICAL/ELECTRONIC ARCHITECTURE  
WARREN, OH

DR	DATE
APV01 T. NADASKY	01MR09
APV02 R. J. BLASKO	31MR09
APV03 R. PETROSKY	31MR09
APV04	
APV05	

SUBSTANCES OF CONCERN AND RECYCLED CONTENT PER DELPHI 10949901

MATERIAL SEE CHART

DRAWING NAME  
TAXI TERM M ACT 280

DRAWING NUMBER  
**12092343**

SIZE	SCALE	FRAME NO	SHEET NO	STG	REV	N/P
A0	10:1	1	1	OF 1	R	05

6 PROCESS SENSITIVE DIMENSION		THIRD ANGLE PROJECTION		DO NOT SCALE	
DIMENSIONS ENCLOSED IN ( ) INDICATE REFERENCE DIMENSIONS AND NO TOLERANCE LIMITS ARE ESTABLISHED		USE MATH DATA		USE MATH DATA	
DIMENSIONAL RANGE (MM)	CHART CD	ANGULAR TOLERANCE ±2°			
FROM 0 TO 12	10				
TOLERANCE UNLESS OTHERWISE SPECIFIED ±0.1					