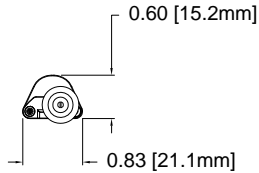
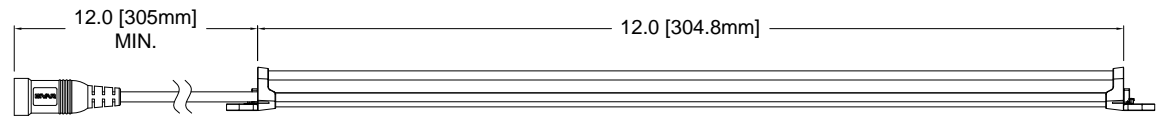
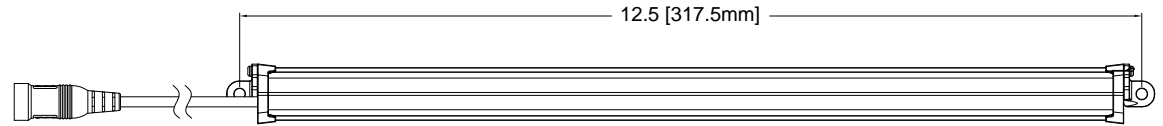
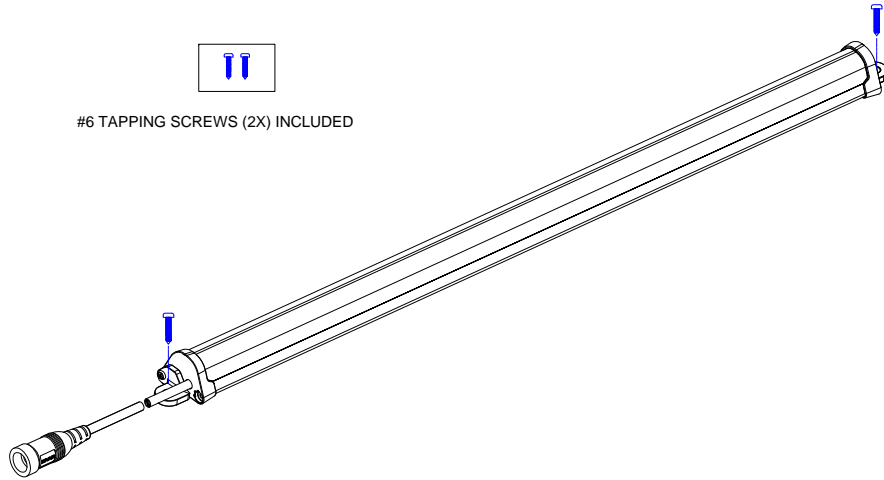


REV.	DESCRIPTION	DATE	APPROVED
A	Engineering Release	06/11/18	G.O.



#6 TAPPING SCREWS (2X) INCLUDED



NOTES

1. Power Input: 24VDC, Constant Voltage
2. Power Consumption: 2.0 Watts
3. White Color Temperature: 6500K Cool White
4. Output Projection: 120° FWHM
5. Luminous Output: 190 Lumens
6. Housing Color: Black
7. Operating Temperature: 0C ~ +40C
8. For Use in Dry Locations Only



**Mating Connector:
5.5 x 2.1 x 11mm DC Plug**

STANDARD TOLERANCE (UNLESS OTHERWISE SPECIFIED)		 BIVAR [®] 4 THOMAS, IRVINE, CA. 92618 TEL: (949) 951-8808 FAX: (949) 951-3974			
DECIMALS	ANGULAR				
.X ± .1	X° ± 1°	TITLE: BP3100 SERIES LIGHT, SURFACE MOUNT, COOL WHITE			
.XX ± .02					
.XXX ± .010		DESIGNED: K. BARON	DATE: 06/11/18	PART NO: BP3100-C-S	REVISION: A
		REVISED: N/A	DATE: N/A	CAGE CODE: 32559	
		CHECKED: TD. NGUYEN	DATE: 06/11/18	SCALE: NONE	SHEET # 1 OF 1
CAD GENERATED DOCUMENT, DO NOT MEASURE DRAWING					